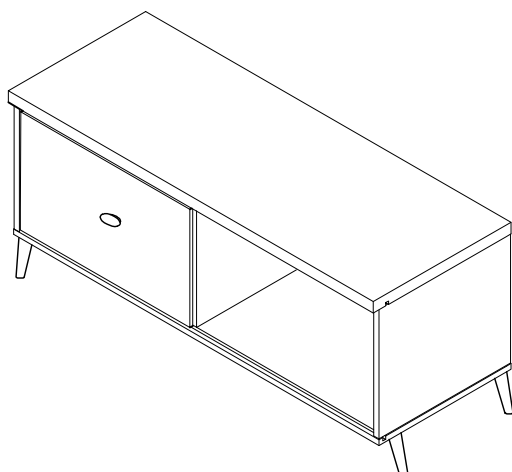



Assembly Instruction

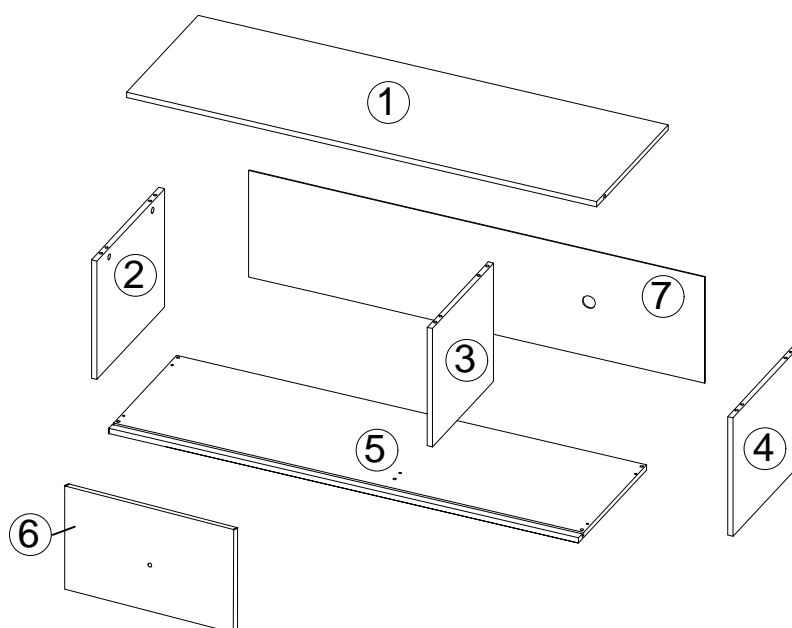
Model : TR 17201 BODRUM



Hardware List			
No.	SHAPE	DESCRIPTION	Qty.
A		8x25mm Dowel	12Pcs
B		15MM Myfix Minifix	6Sets
C		M3.5x16mm Screw	20Pcs
D		M4x45mm Screw	6Pcs
E		Plastic Leg (100mm)	5Pcs
F		Nail	20Pcs
G		Handle Knod	1Pcs
H		M4x28mm Screw	1Pcs

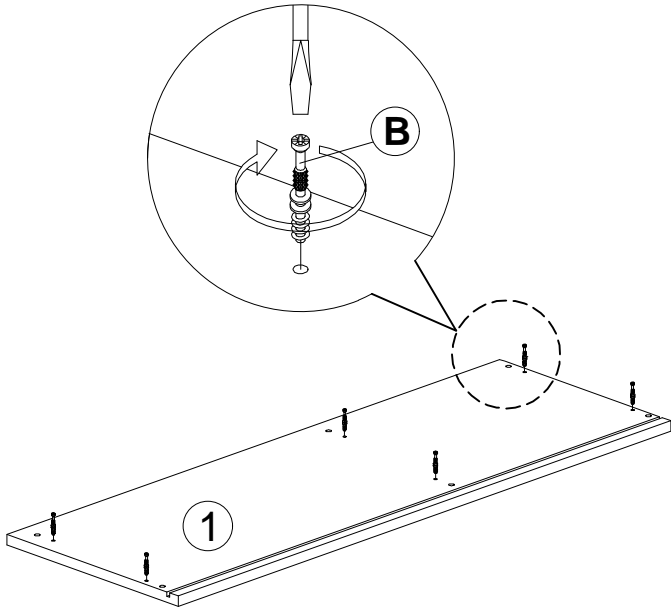
POLDIMAR B.V.B.A
Ooigemstraat 23 - 8780 oostrozebeke Belgium

Part List

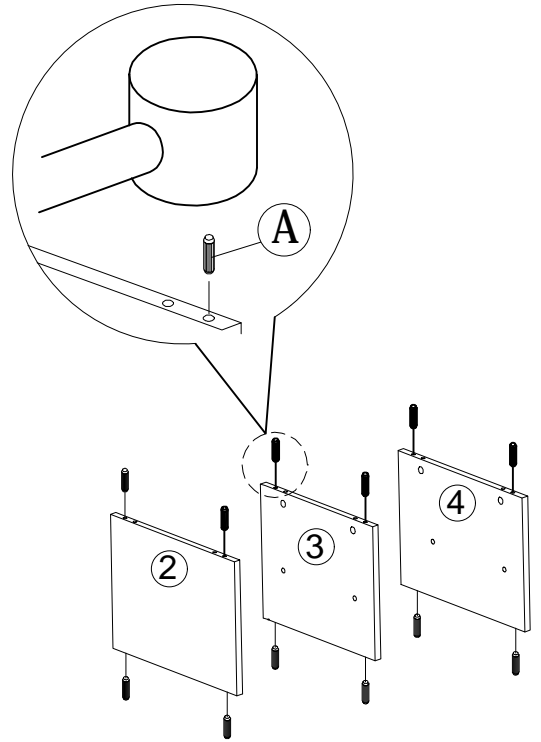


Assembly Instruction

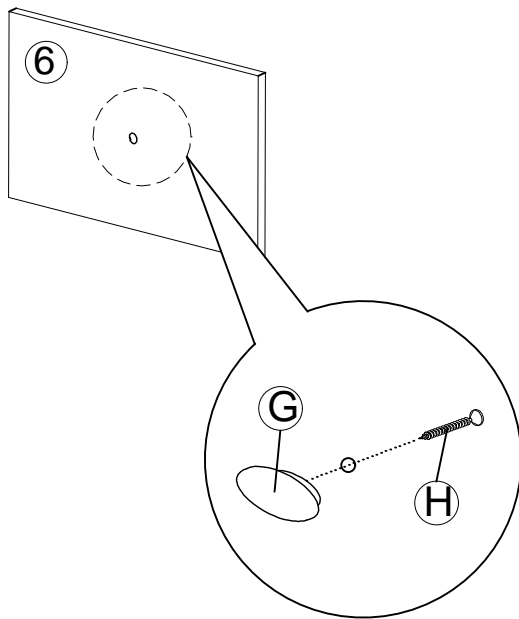
Step 1



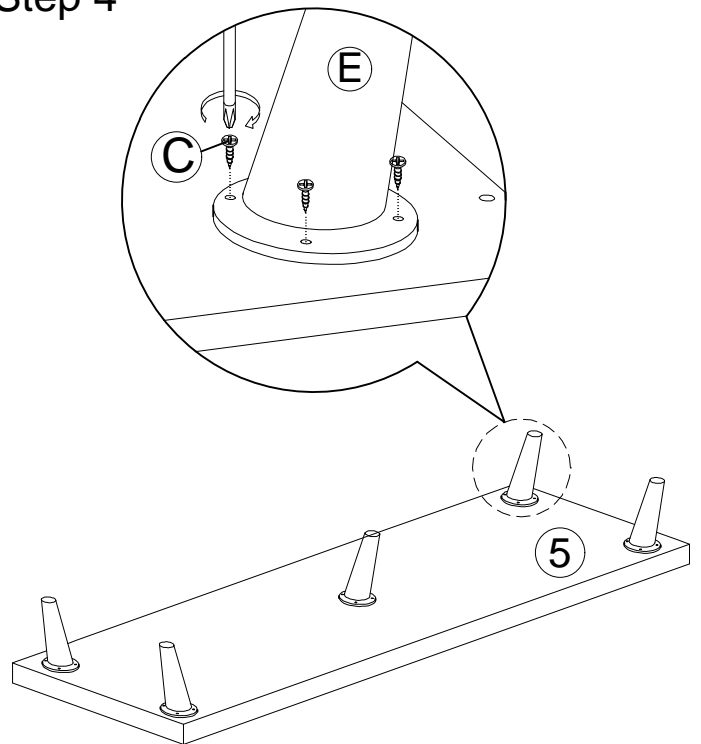
Step 2



Step 3

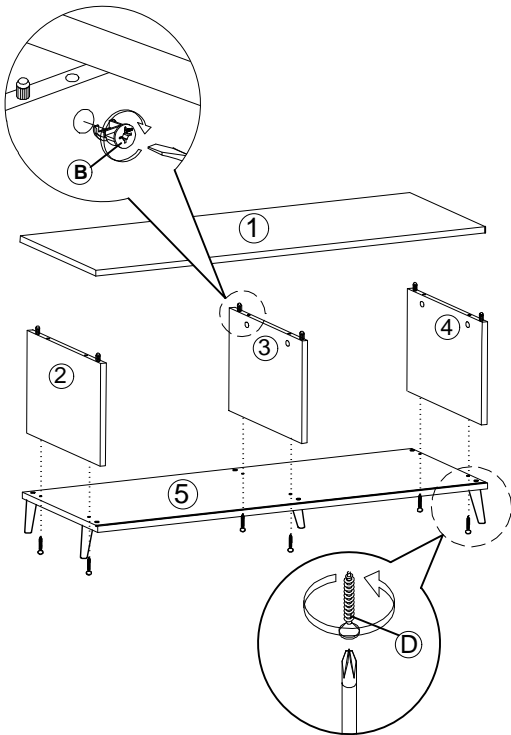


Step 4

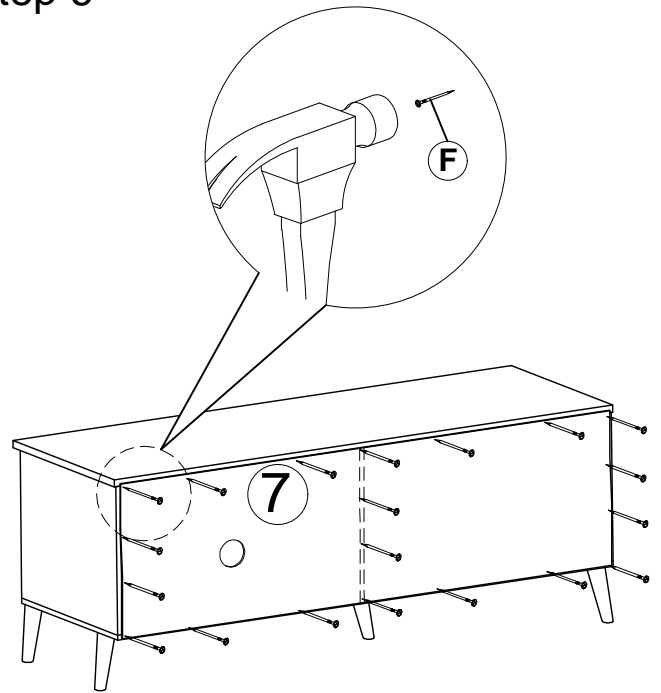


Assembly Instruction

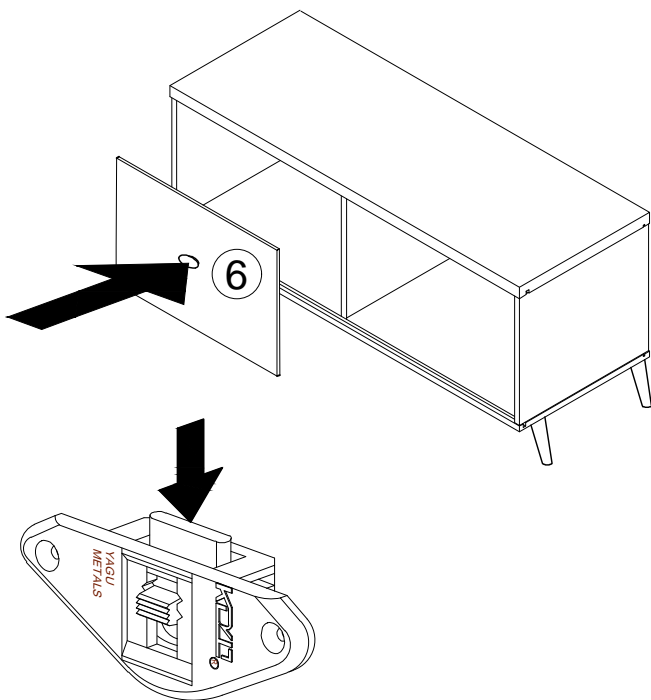
Step 5



Step 6



Step 7



Step 8

