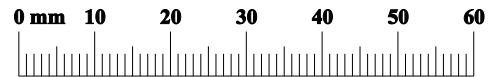
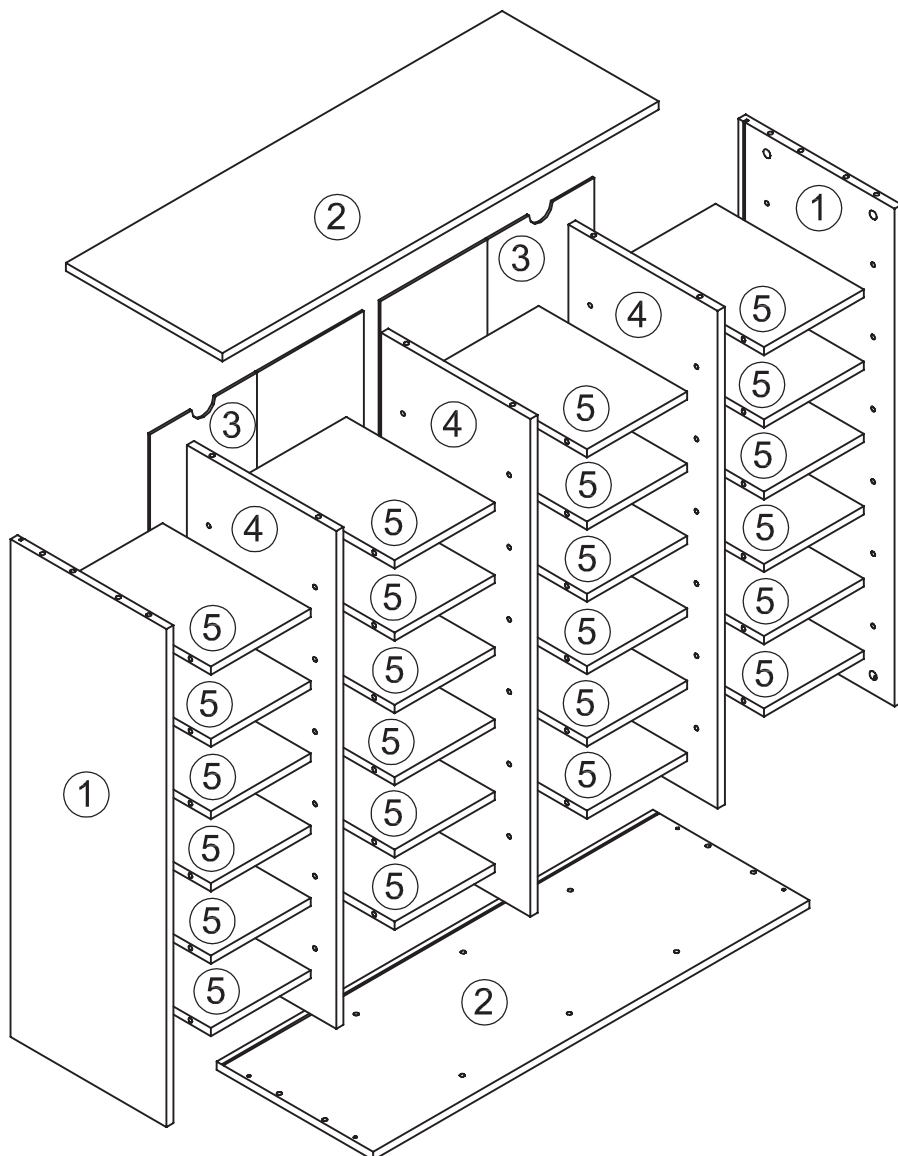


1/2

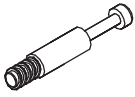


1	x2	ca. 909 x 329 x 15	2/2
2	x2	ca. 920 x 330 x 15	1/2
3	x2	ca. 921 x 451 x 3	1/2
4	x3	ca. 909 x 314 x 15	2/2
5	x20	ca. 211 x 313 x 15	1/2
5	x4	ca. 211 x 313 x 15	2/2

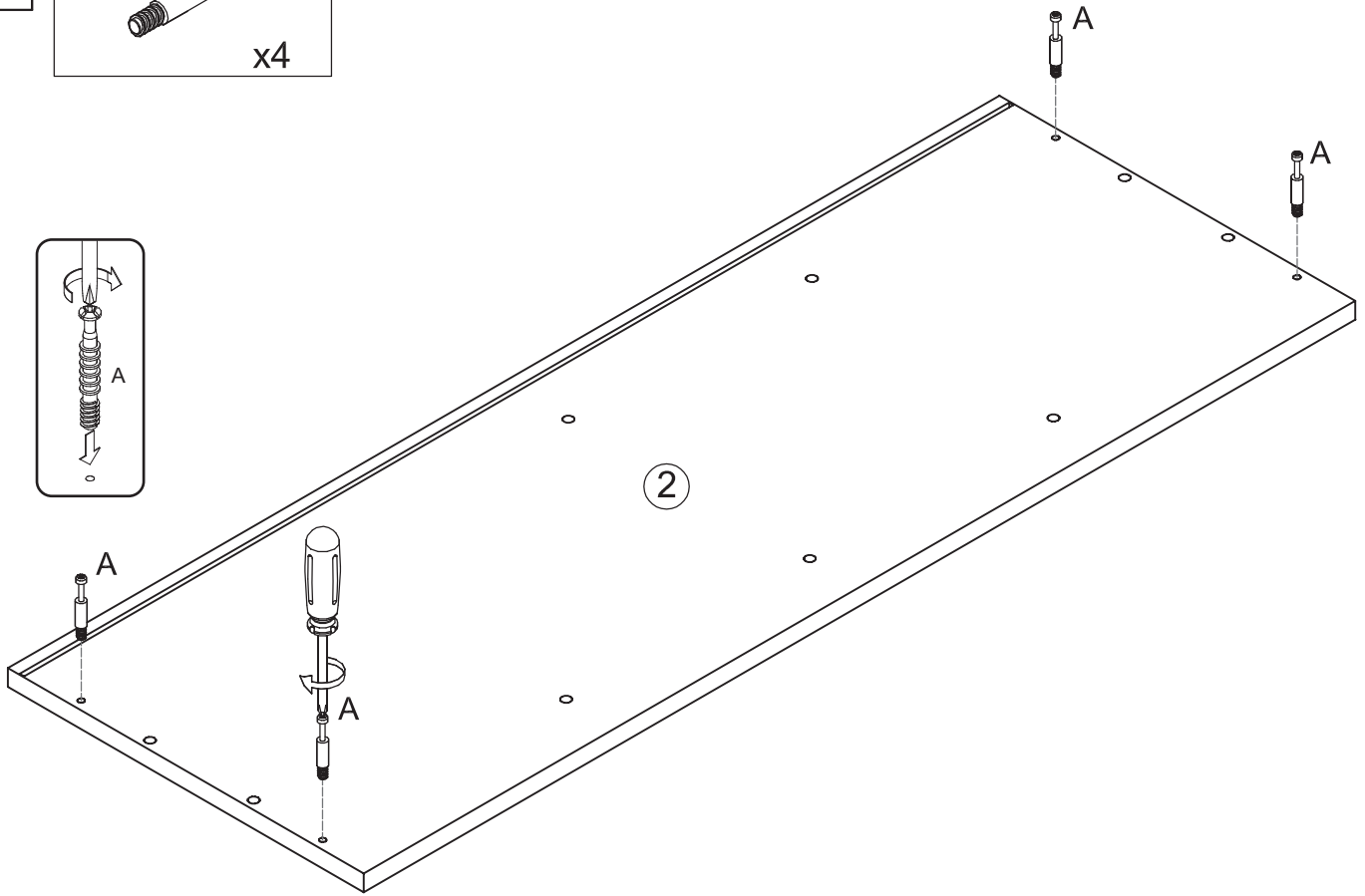
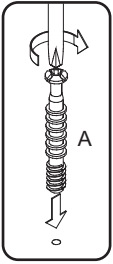


1

A

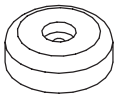


x4



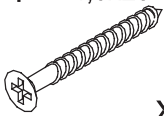
2

S



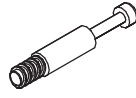
x5

W1 4,0x25

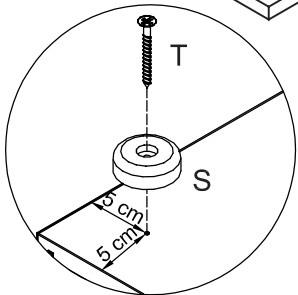
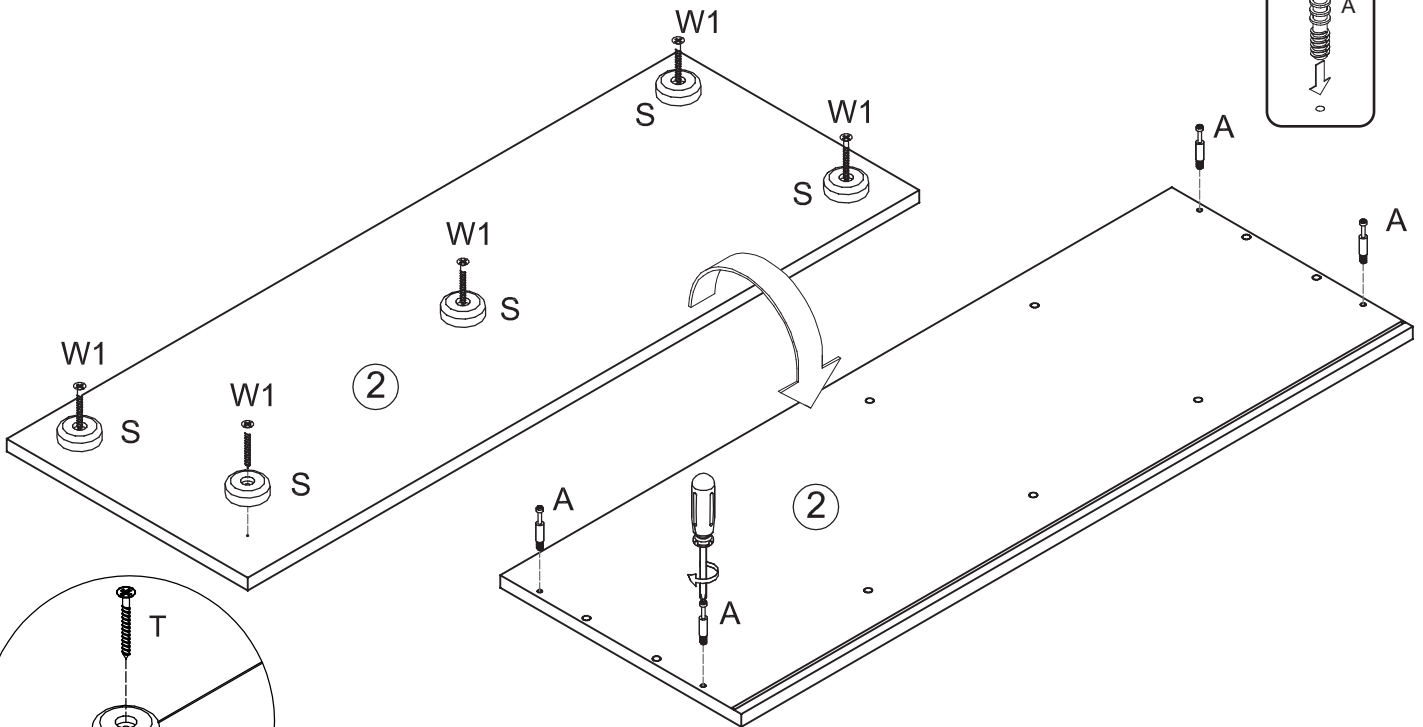
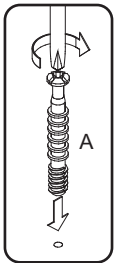


x5

A



x4



3

C Ø8x30

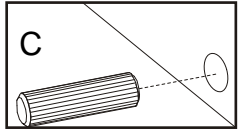
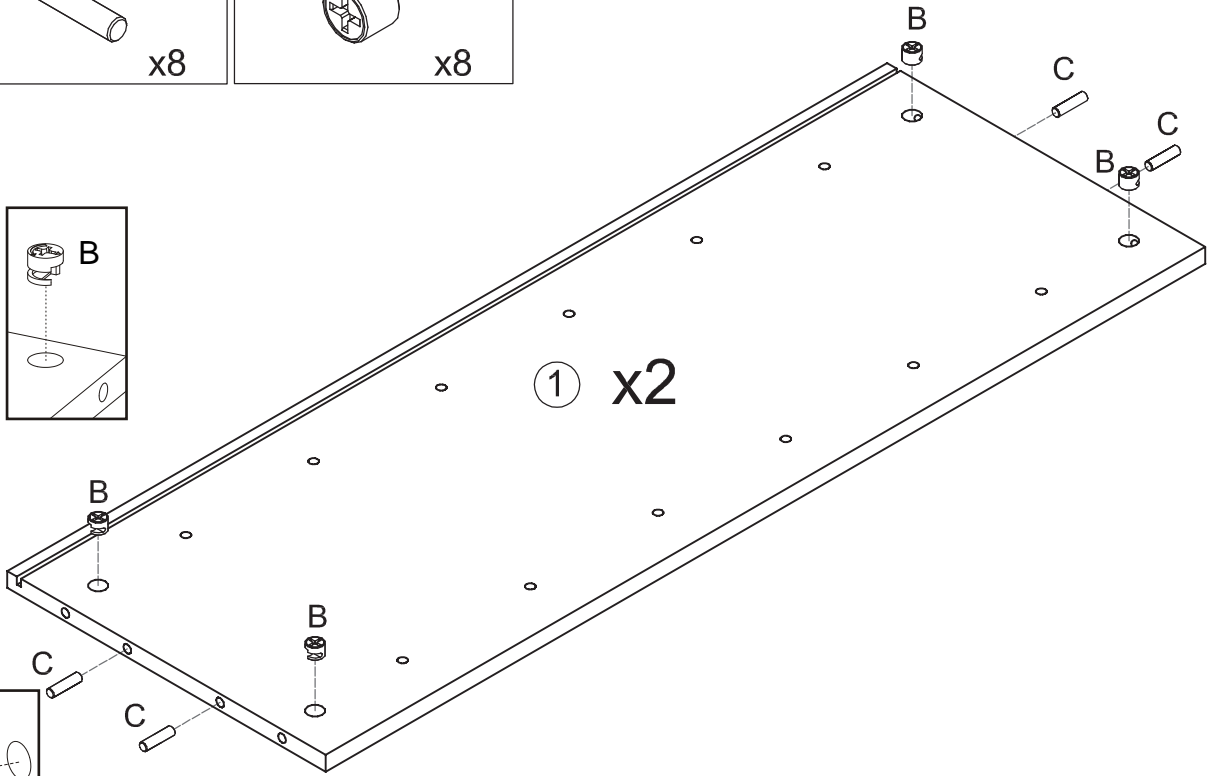
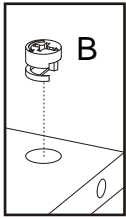


x8

B



x8

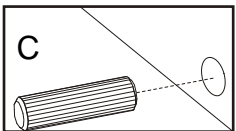
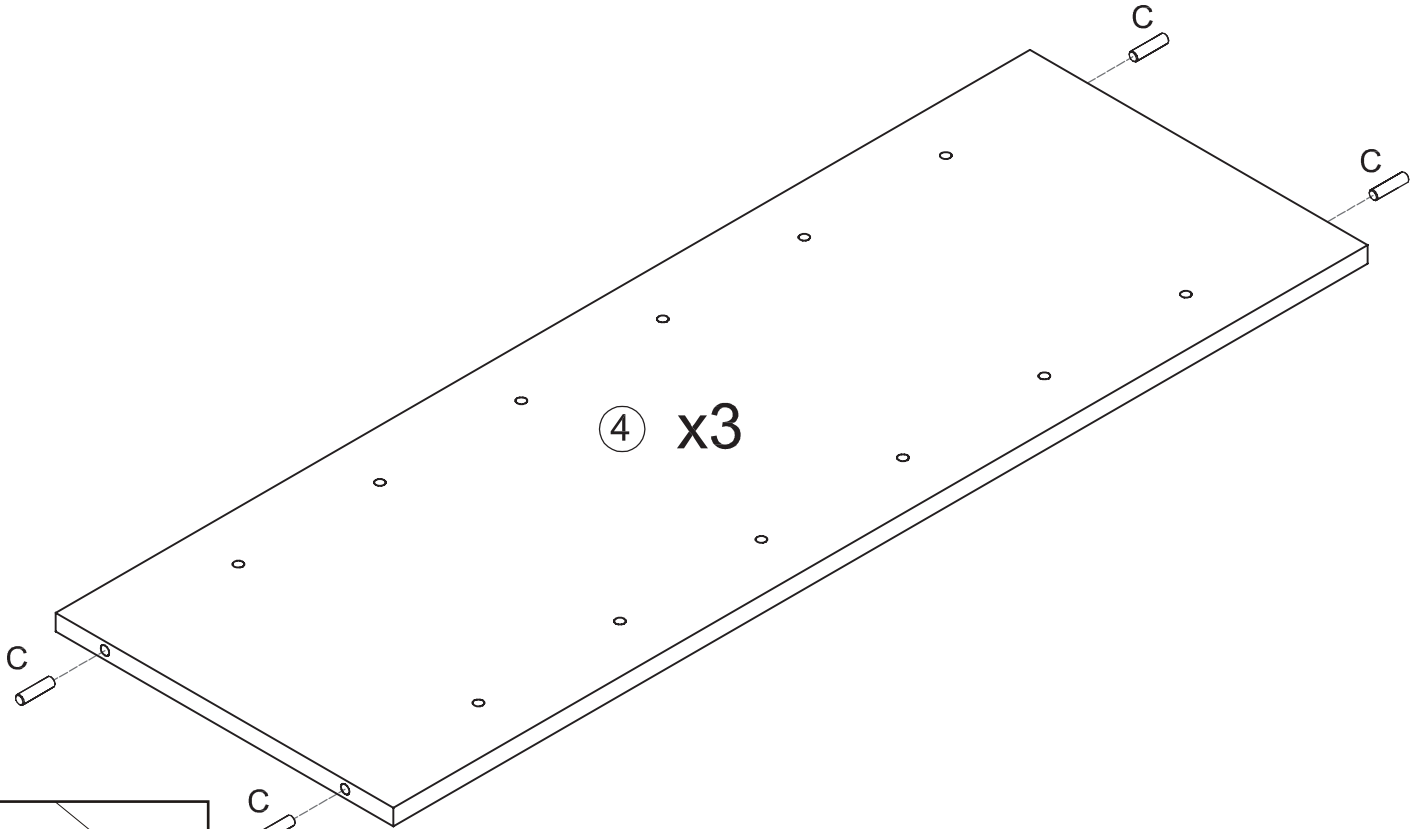


4

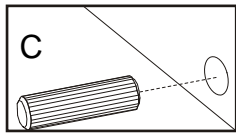
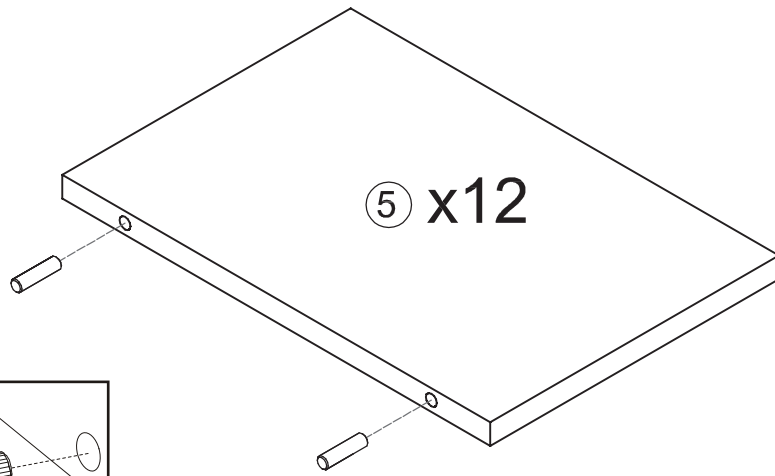
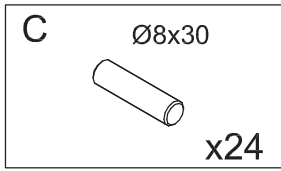
C Ø8x30



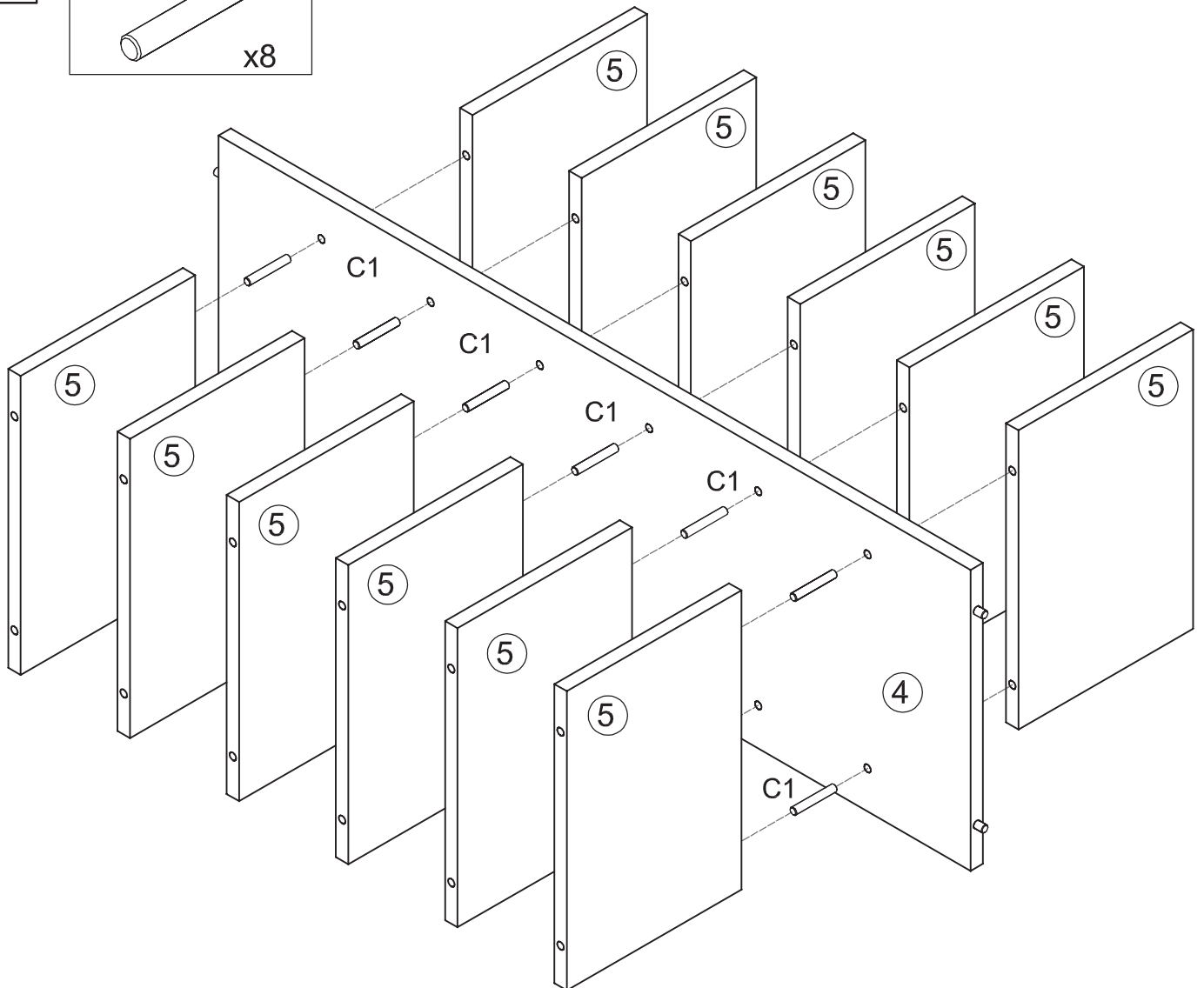
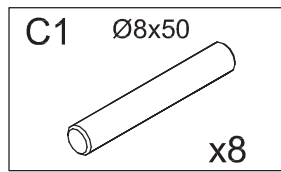
x12



5

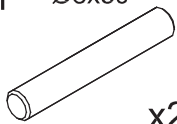


6

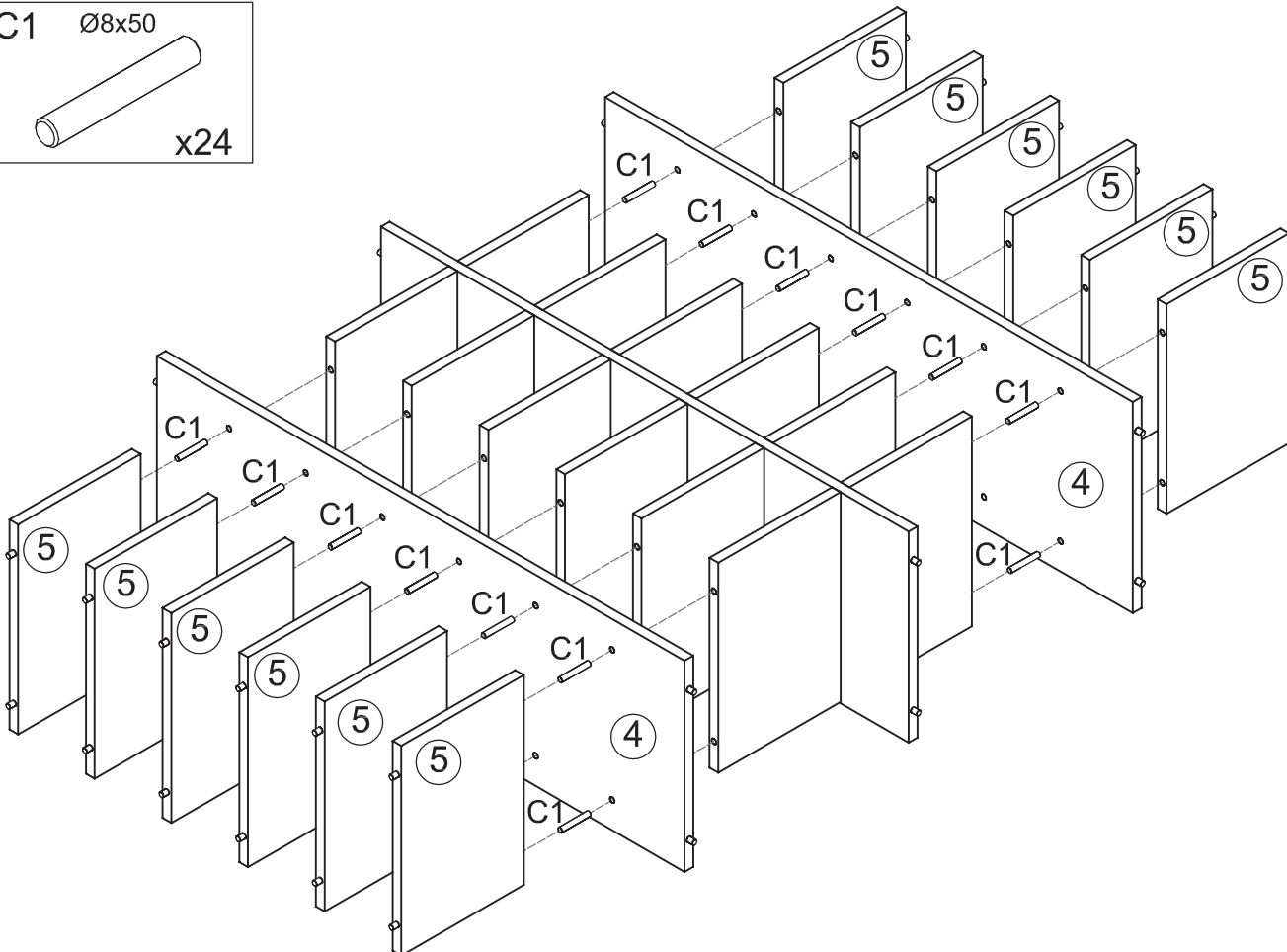


7

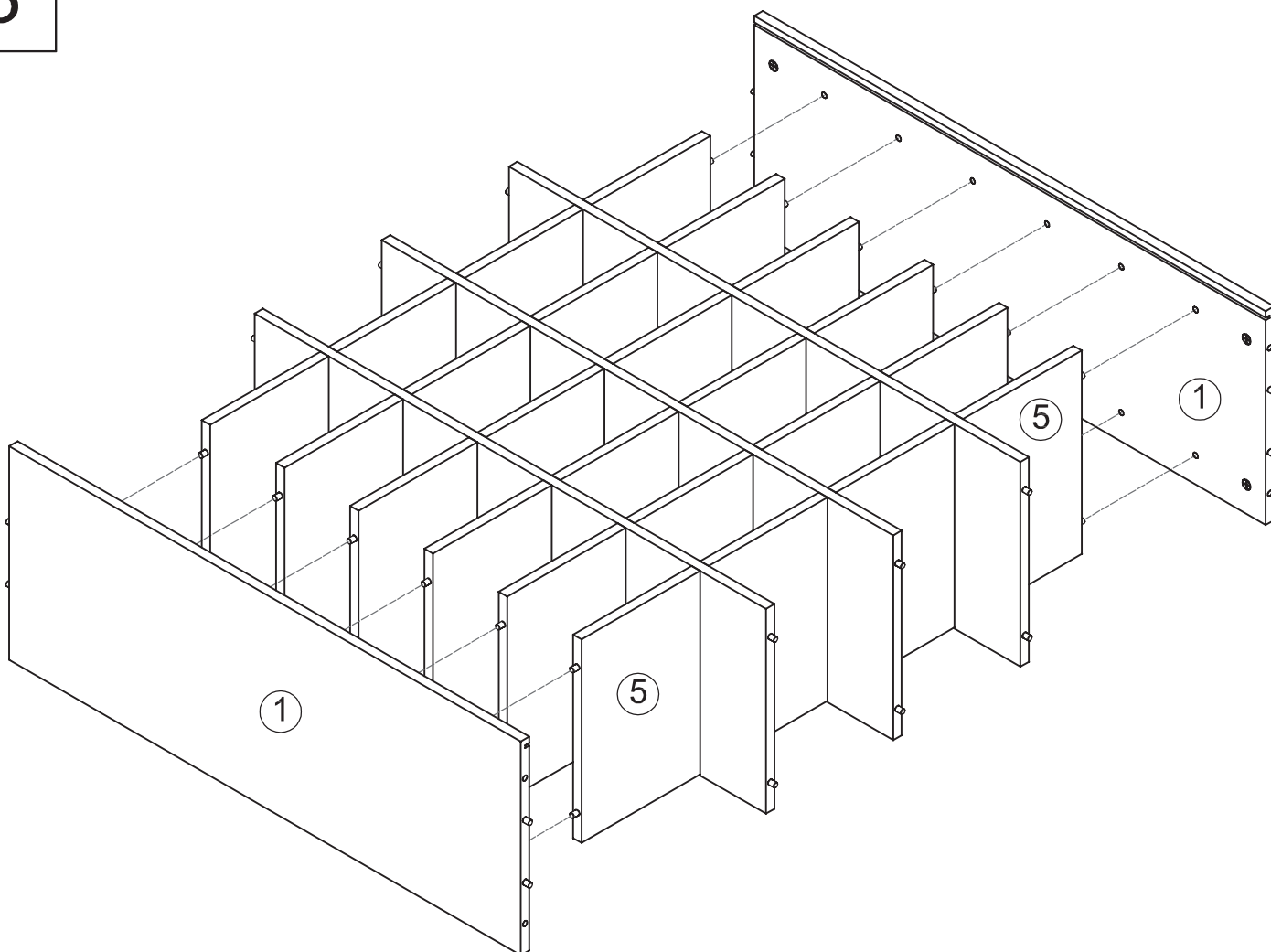
C1 Ø8x50



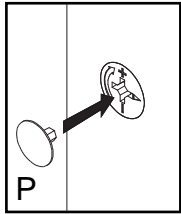
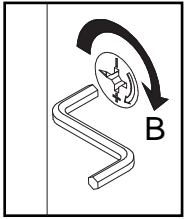
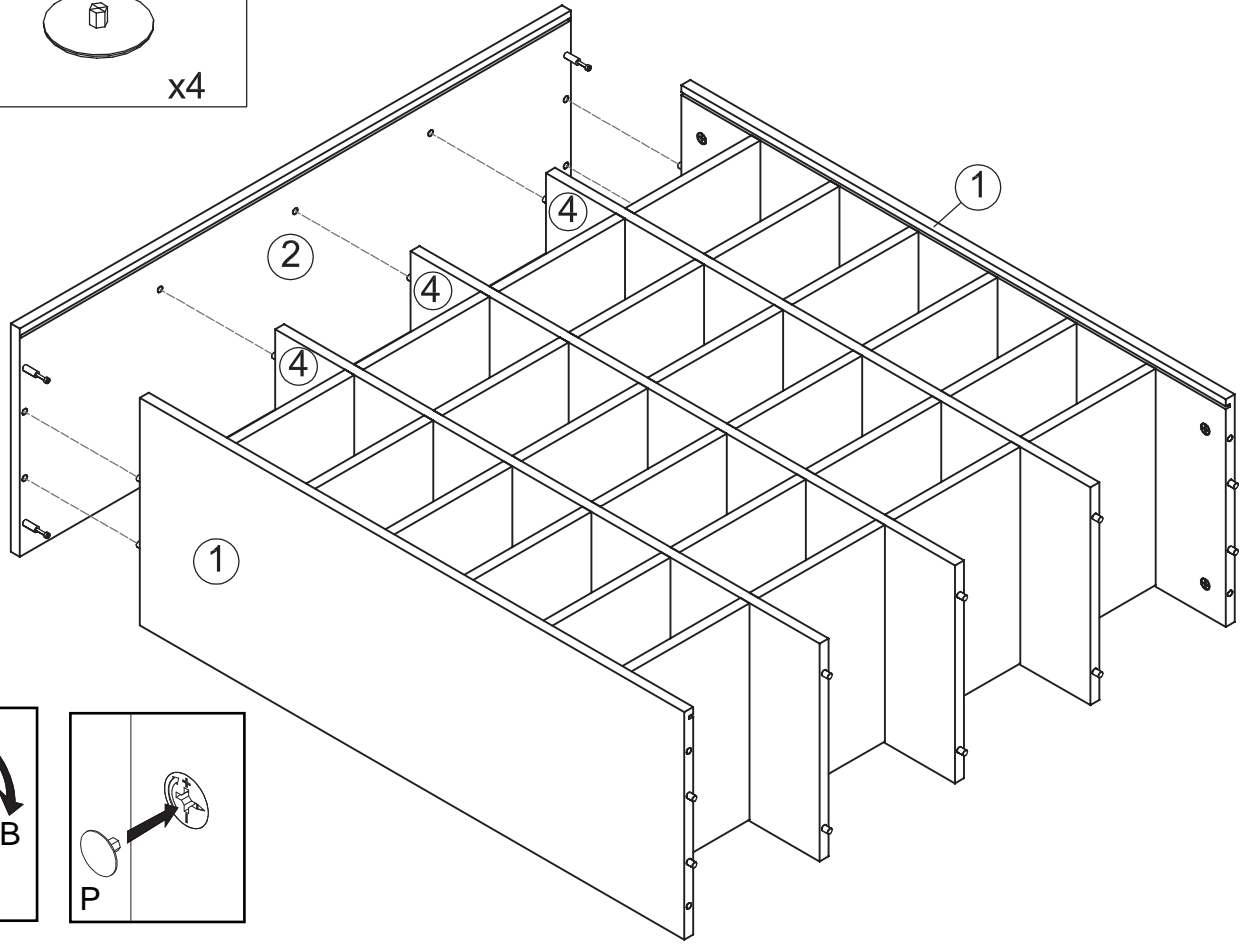
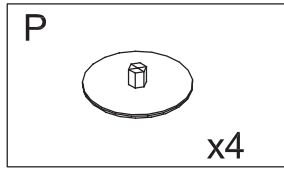
x24



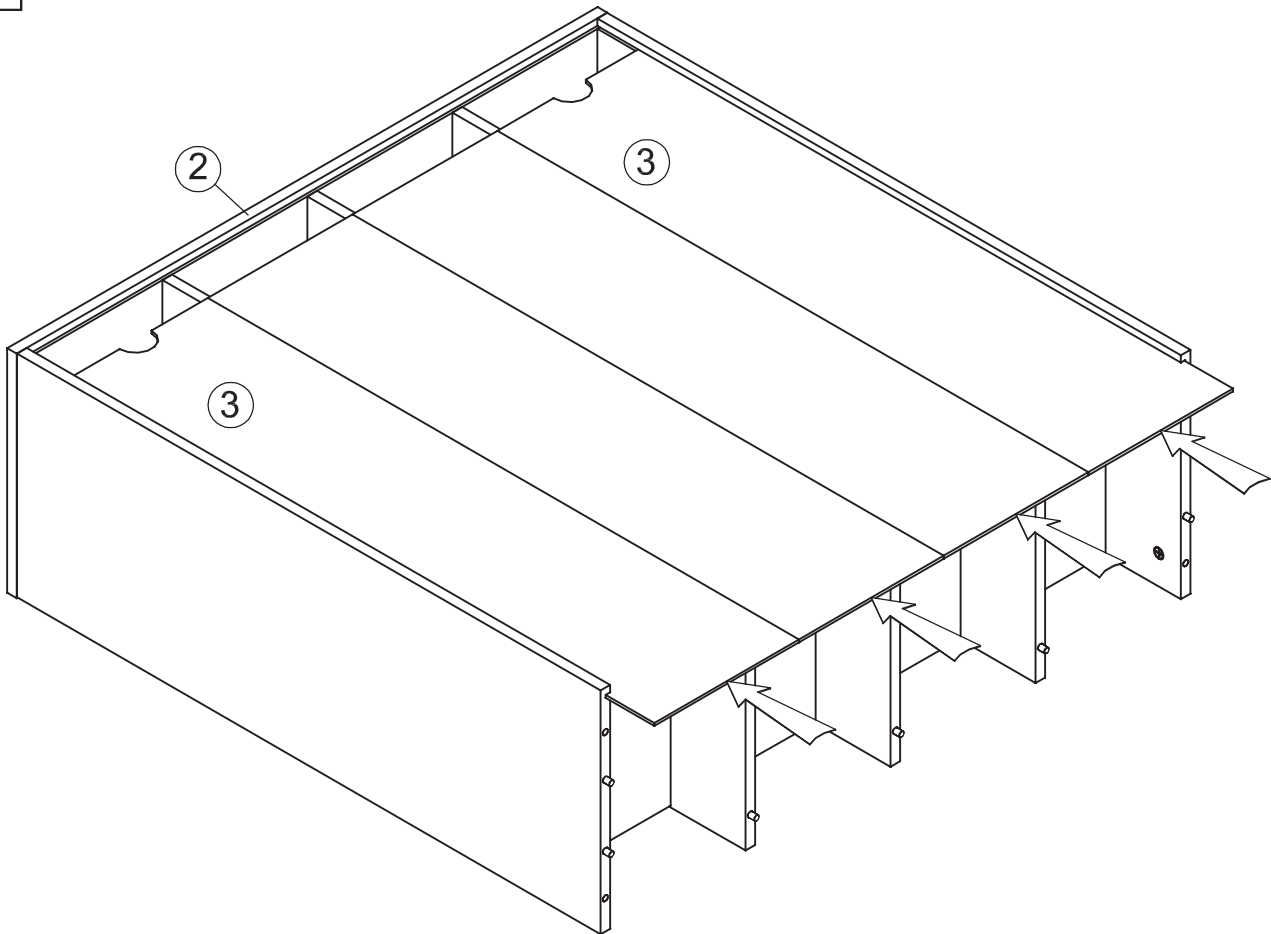
8



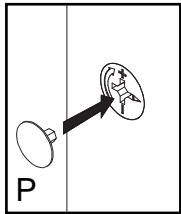
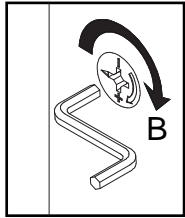
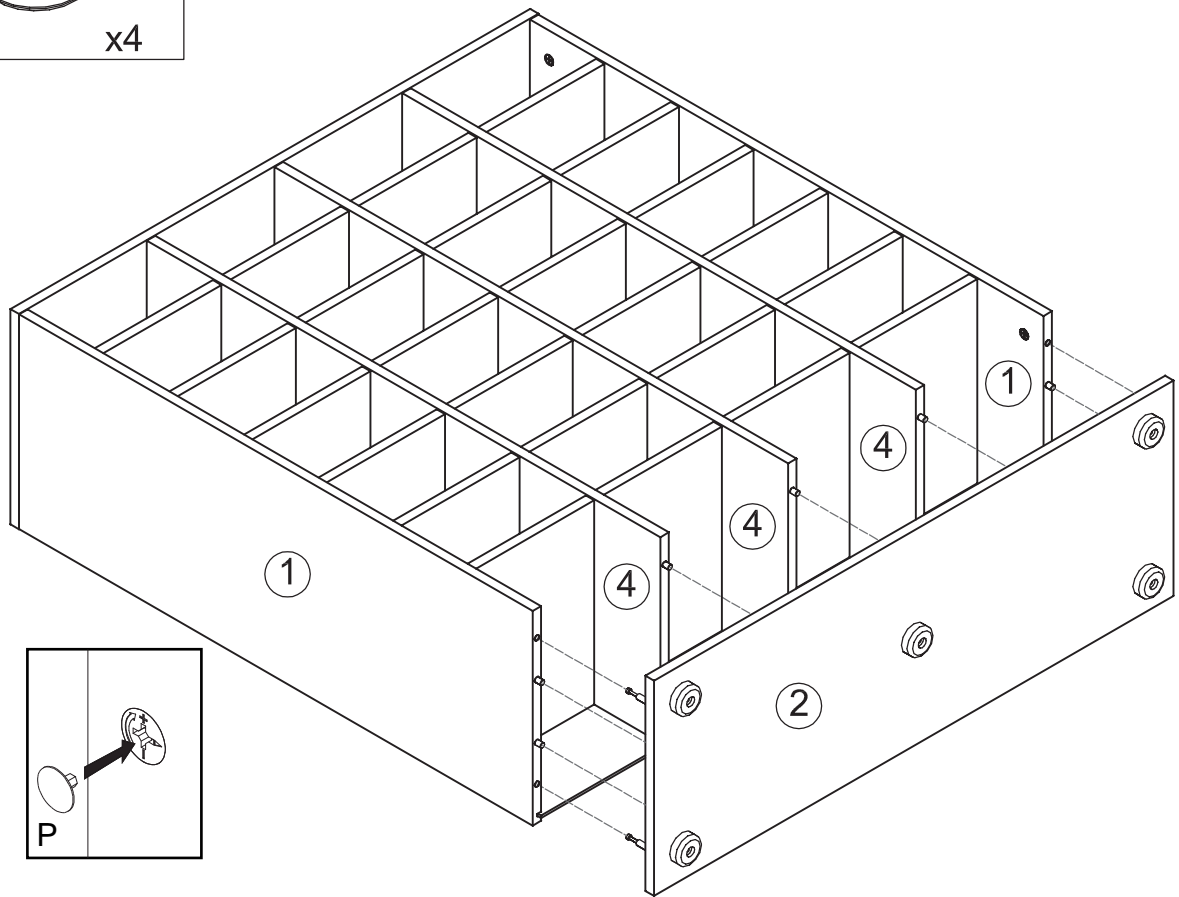
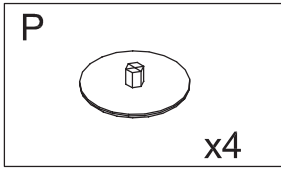
9



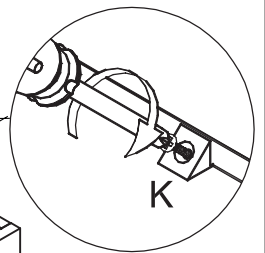
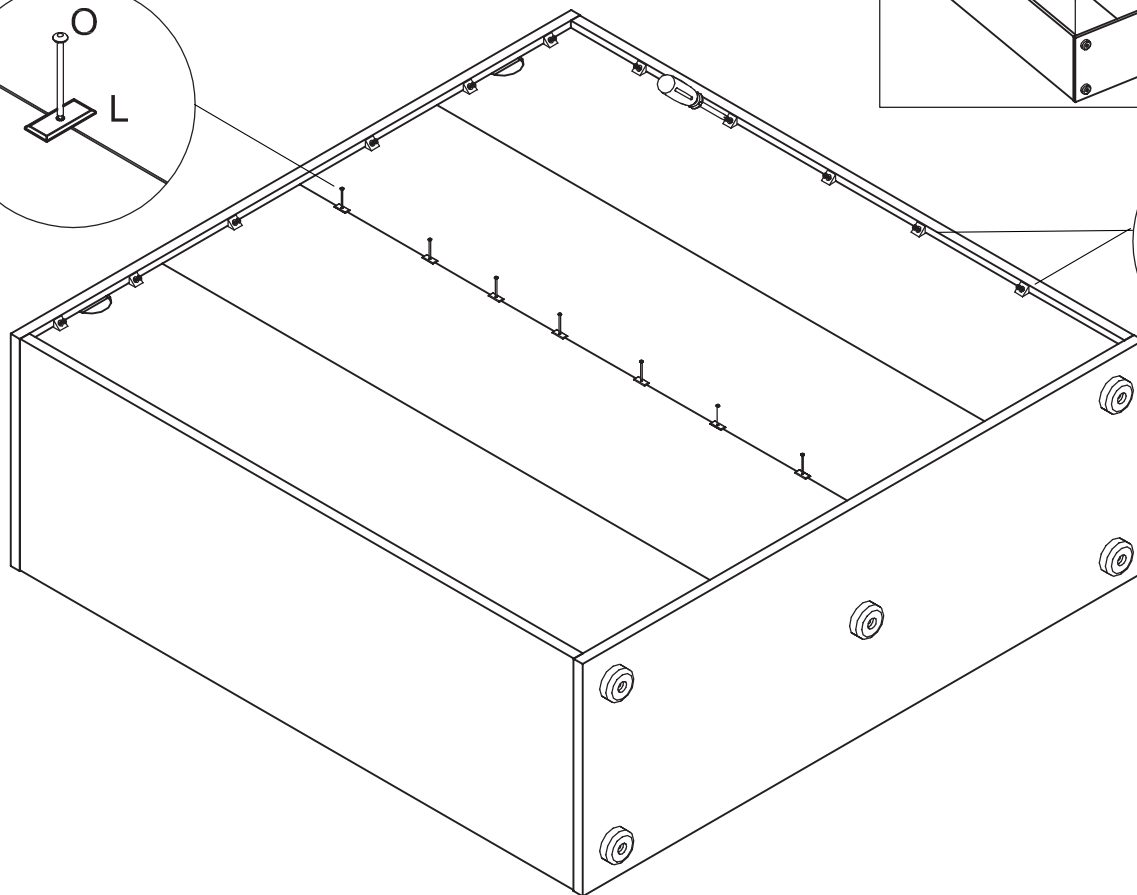
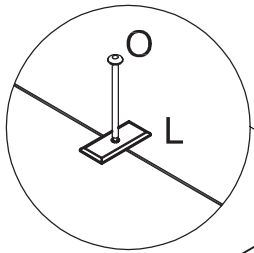
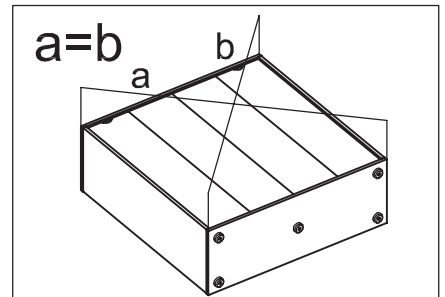
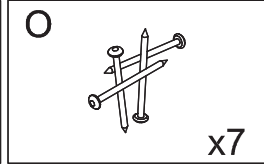
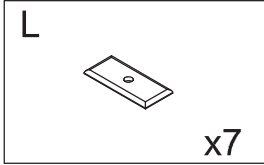
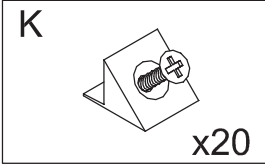
10



11



12



13

