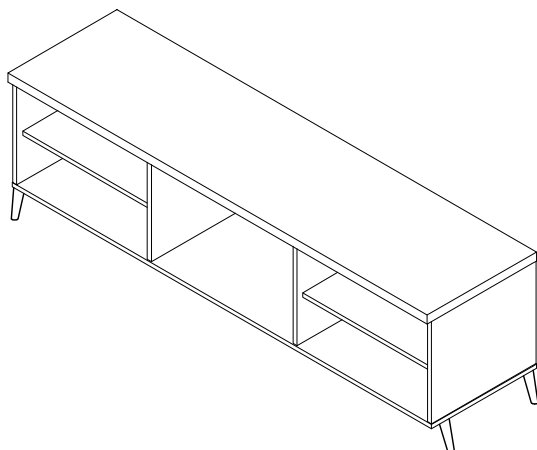


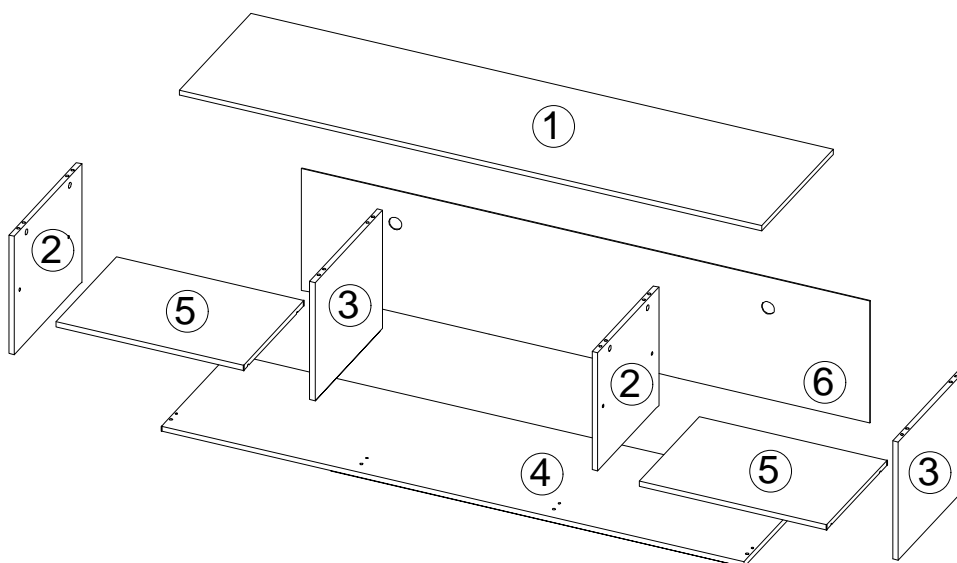
# Assembly Instruction

Model : TR 16105



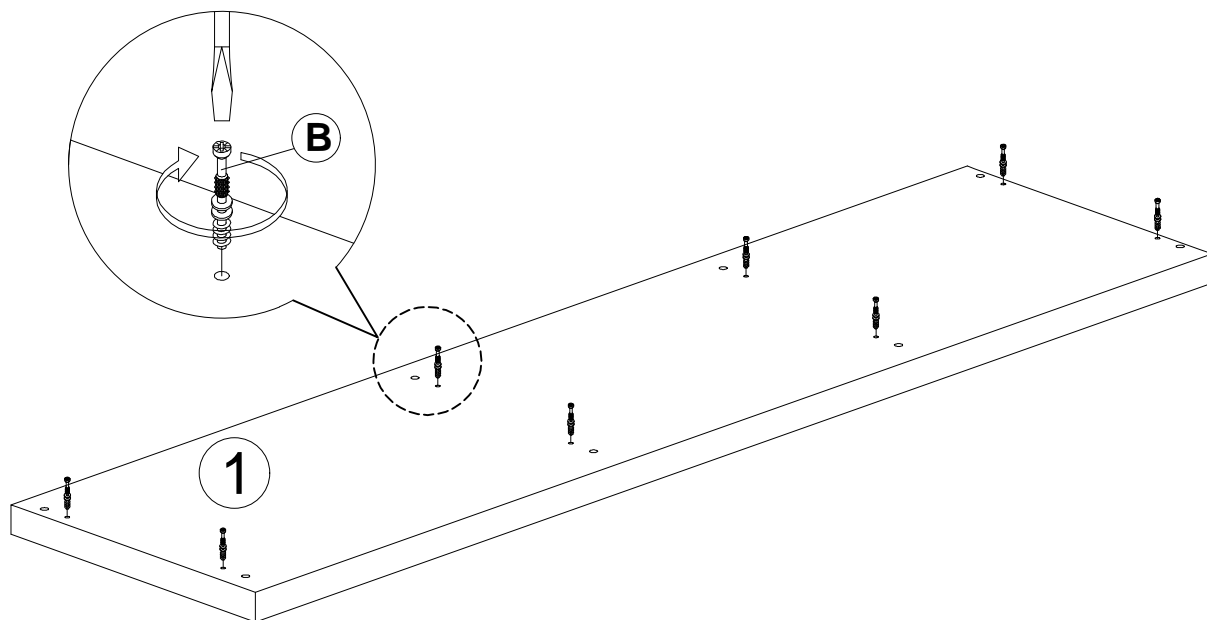
Hardware List			
No.	SHAPE	DESCRIPTION	Qty.
A		8x25mm Dowel	16Pcs
B		15MM Myfix Minifix	8Sets
C		M3.5x16mm Screw	24Pcs
D		M4x65mm Screw	8Pcs
E		Plastic Leg (100mm)	6Pcs
F		Nail	40Pcs
G		Shelf Support	8Pcs

## Part List

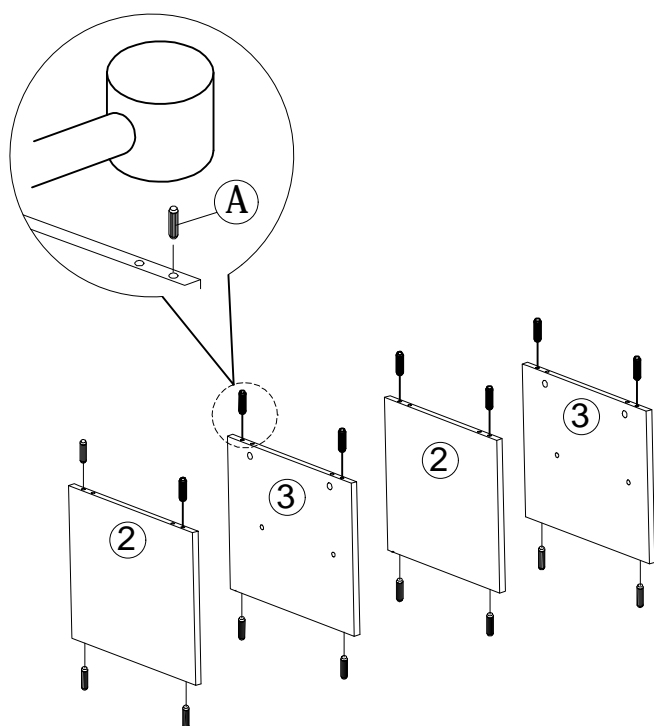


# Assembly Instruction

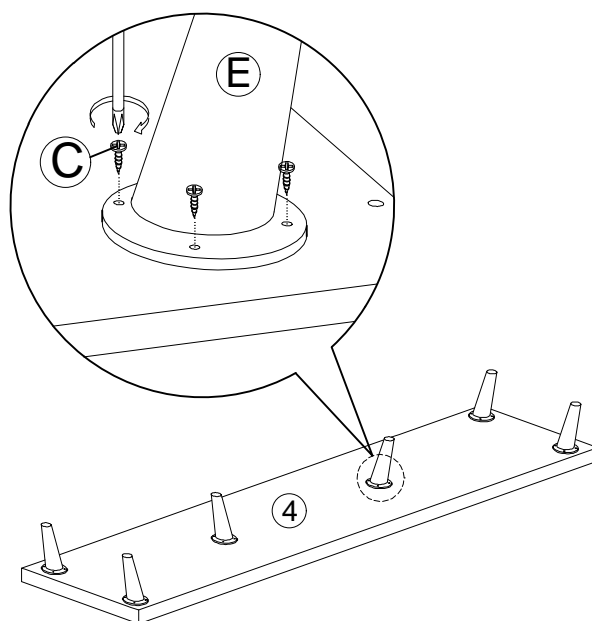
## Step 1



## Step 2

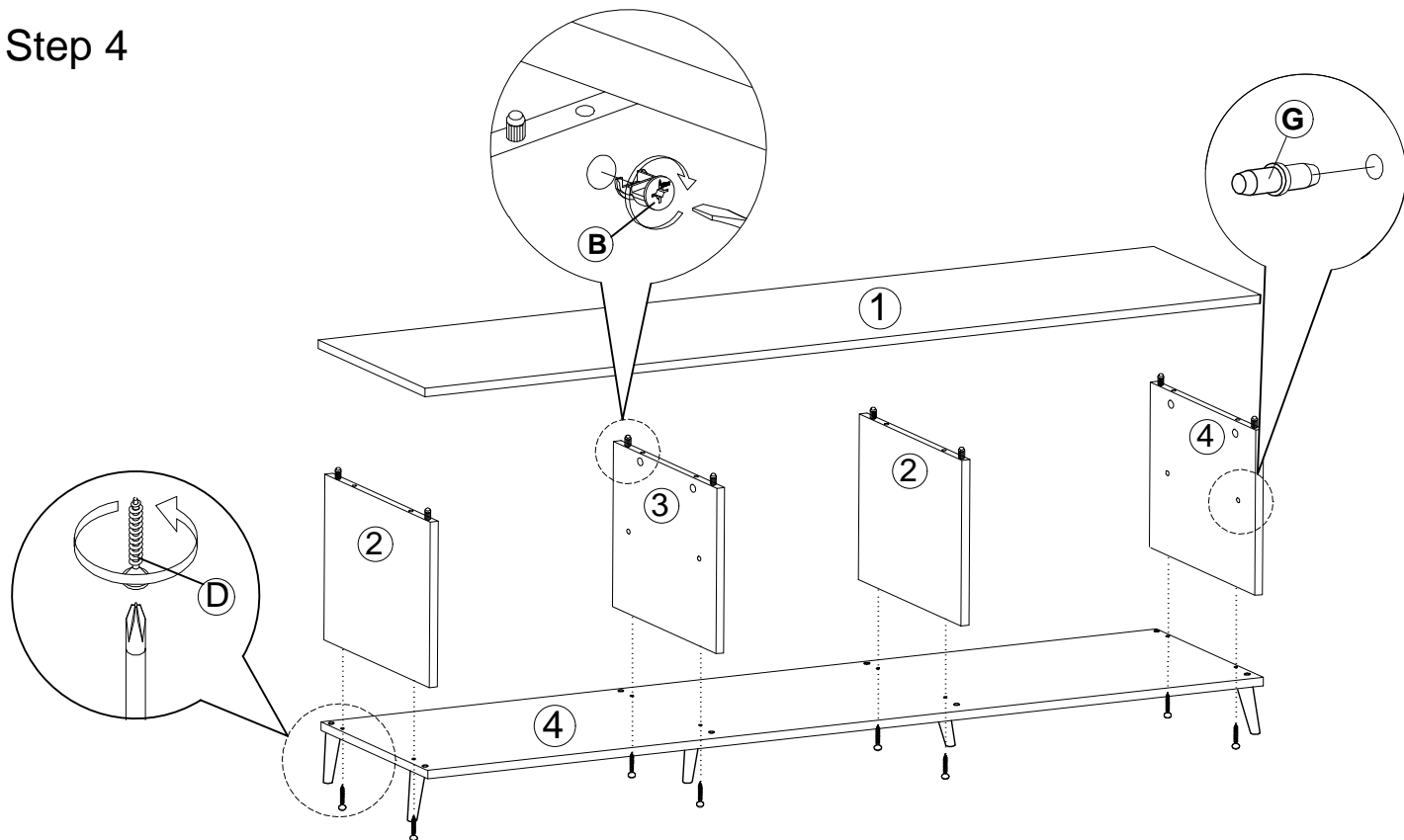


## Step 3

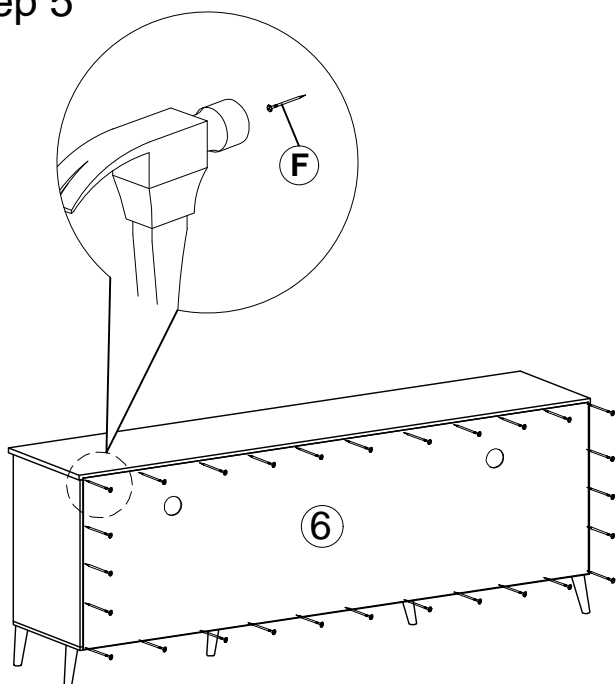


# Assembly Instruction

## Step 4



## Step 5



## Step 6

