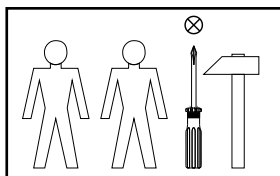
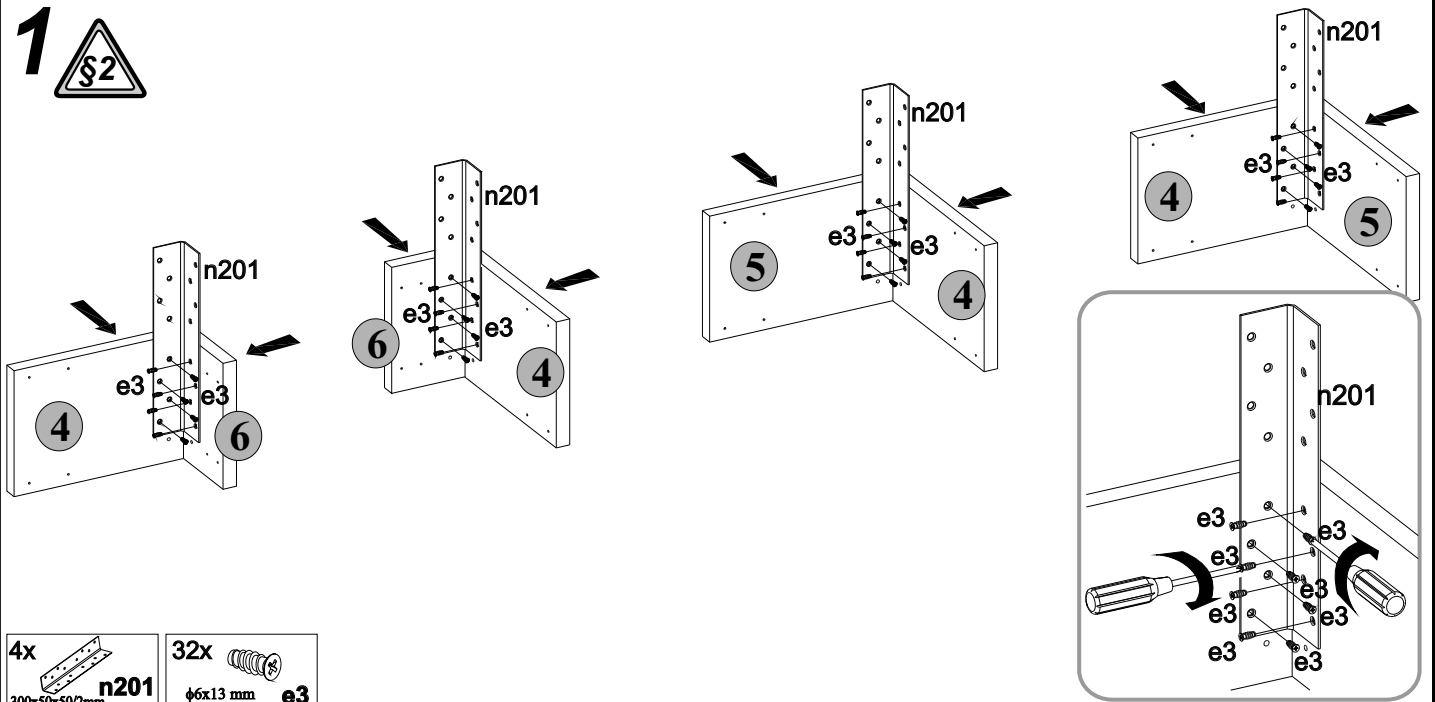


A	B	C	D
1	L95-107	2000x200x22	1/1
2	L95-102	1446x204x22	1/1
3	L95-103	1446x204x22	1/1
4	L95-104	300x200x22	1/1
5	L95-105	300x200x22	1/1
6	L95-106	120x200x22	1/1
7	L95-702	307x70x24	1/1
8	L95-704	275x70x24	1/1
9	L95-701	1983x70x24	1/1
10	L95-703	1880x25x24	1/1



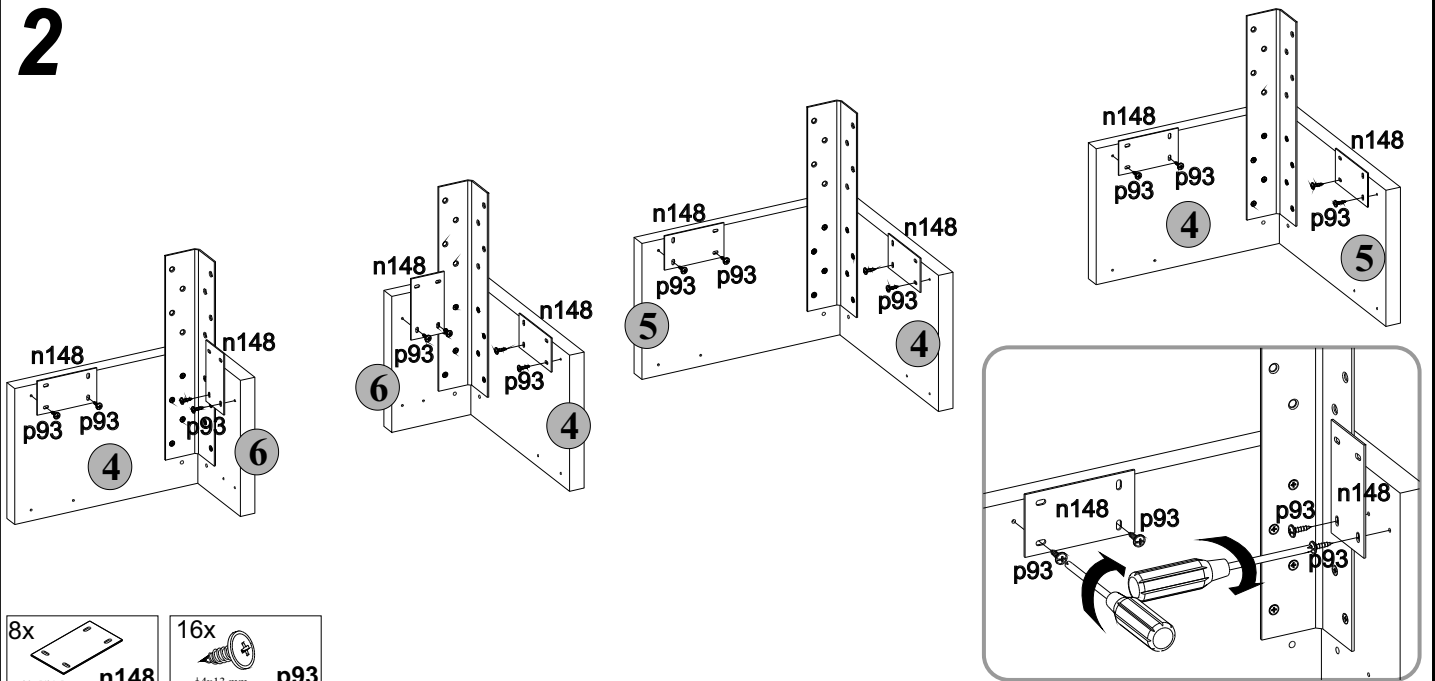
4x 300x50x50/2mm n201	8x 90x51x1.5mm n148	2x n34¹	2x n34²	3x 545x40x5 n96	72x φ6x13 mm e3	2x φ7x70 mm e27	8x φ8x30 mm f1	8x k1
18x φ5x20 mm p45	32x φ4x13 mm p93	1x 20x10 L323mm l811¹	1x 20x10 L143mm l811²	2x 20x10 L301mm l811³	4x φ10φ5,2x20 mm o89	16x φ4x40 mm p10	16x φ2,5x13 mm p15	6x φ3,5x25 mm p16
					1x 20x10 L323mm l811⁴	1x 20x10 L143mm l811⁵	2x 20x10 L301mm l811⁶	1x z1

1



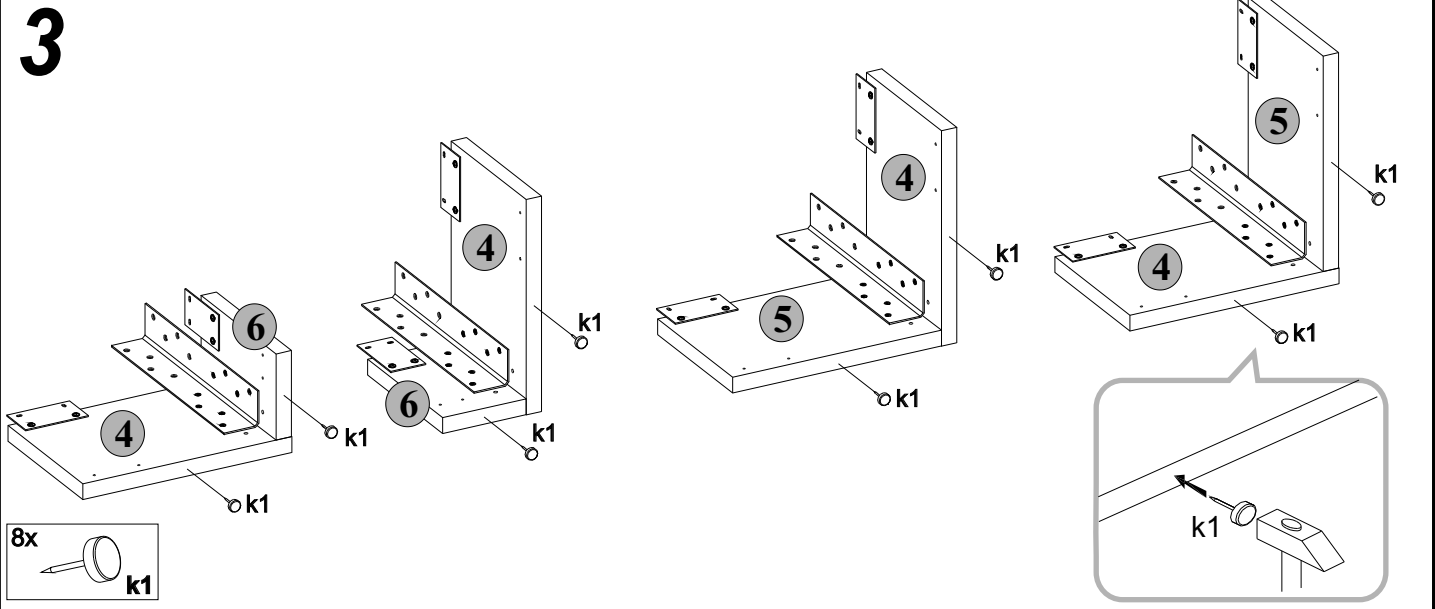
4x n201
 32x e3
 φ6x13 mm

2

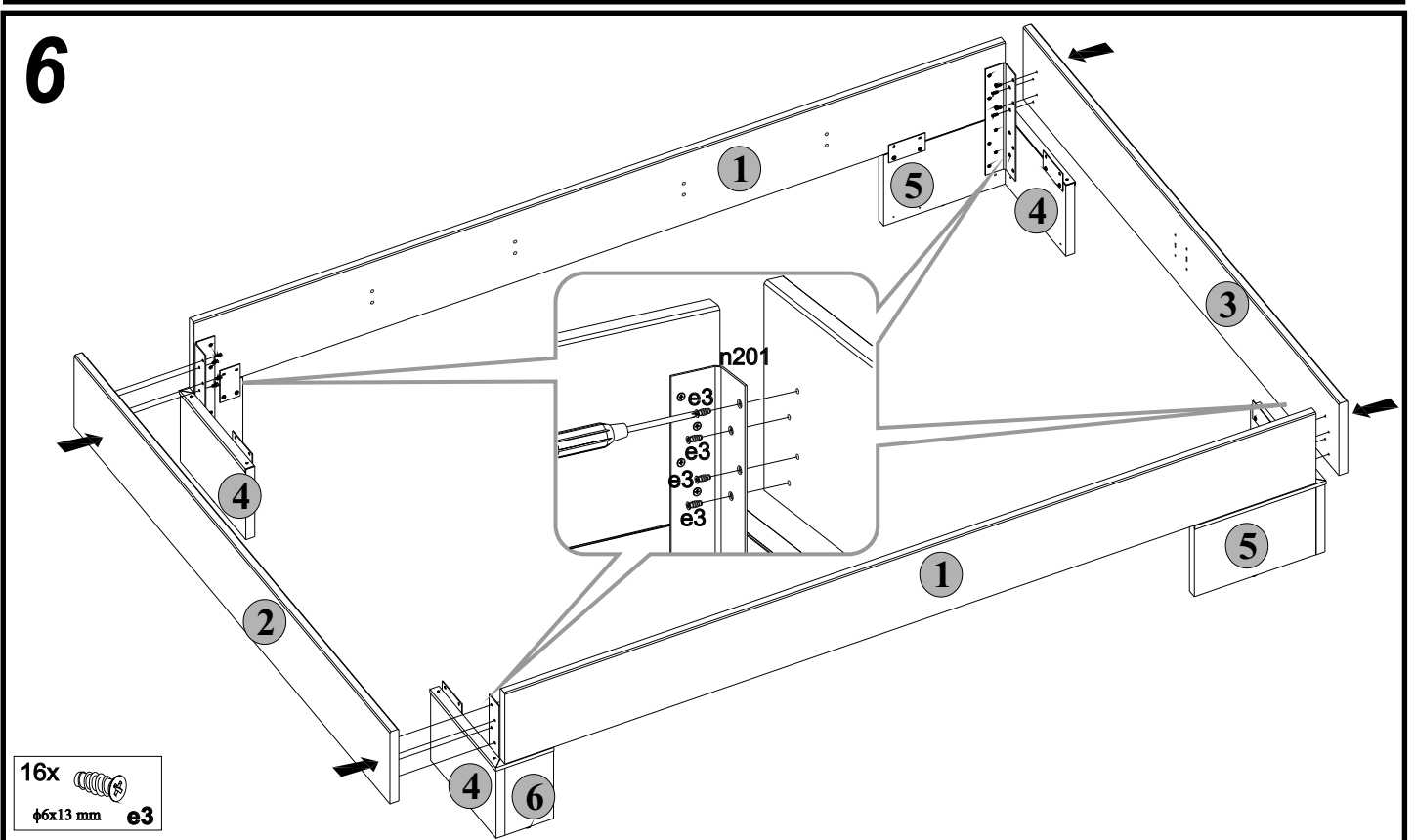
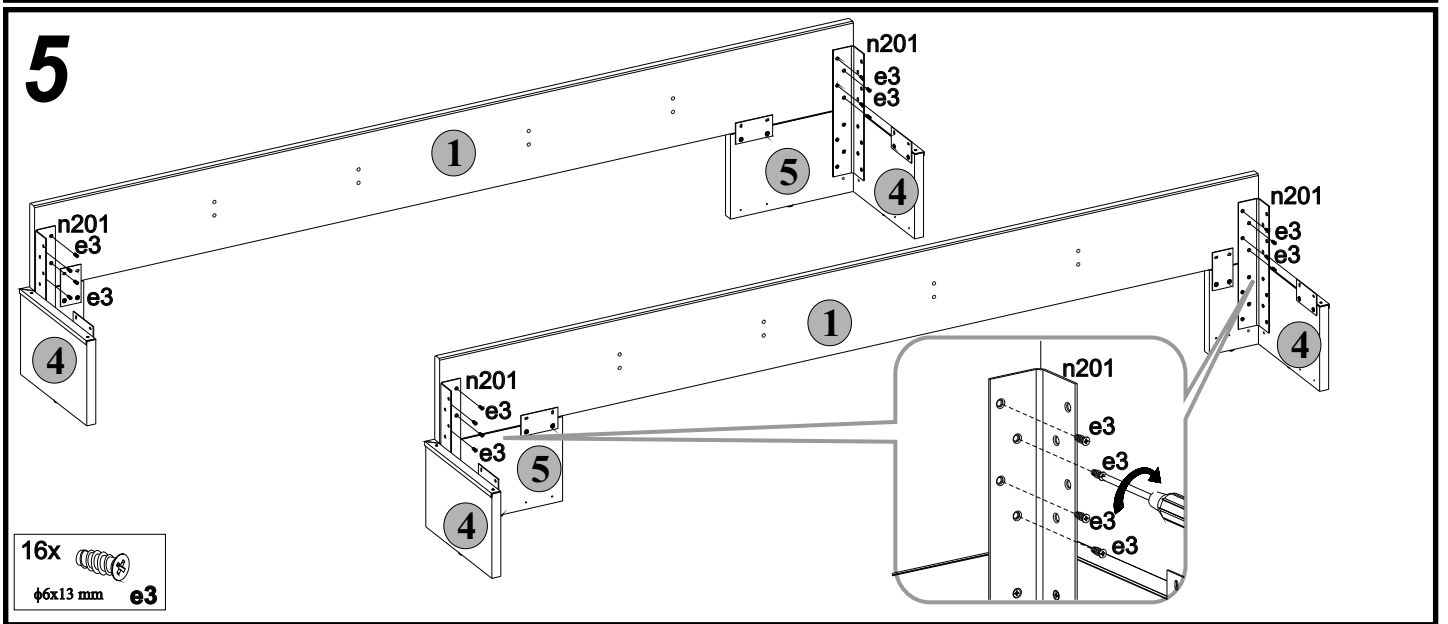
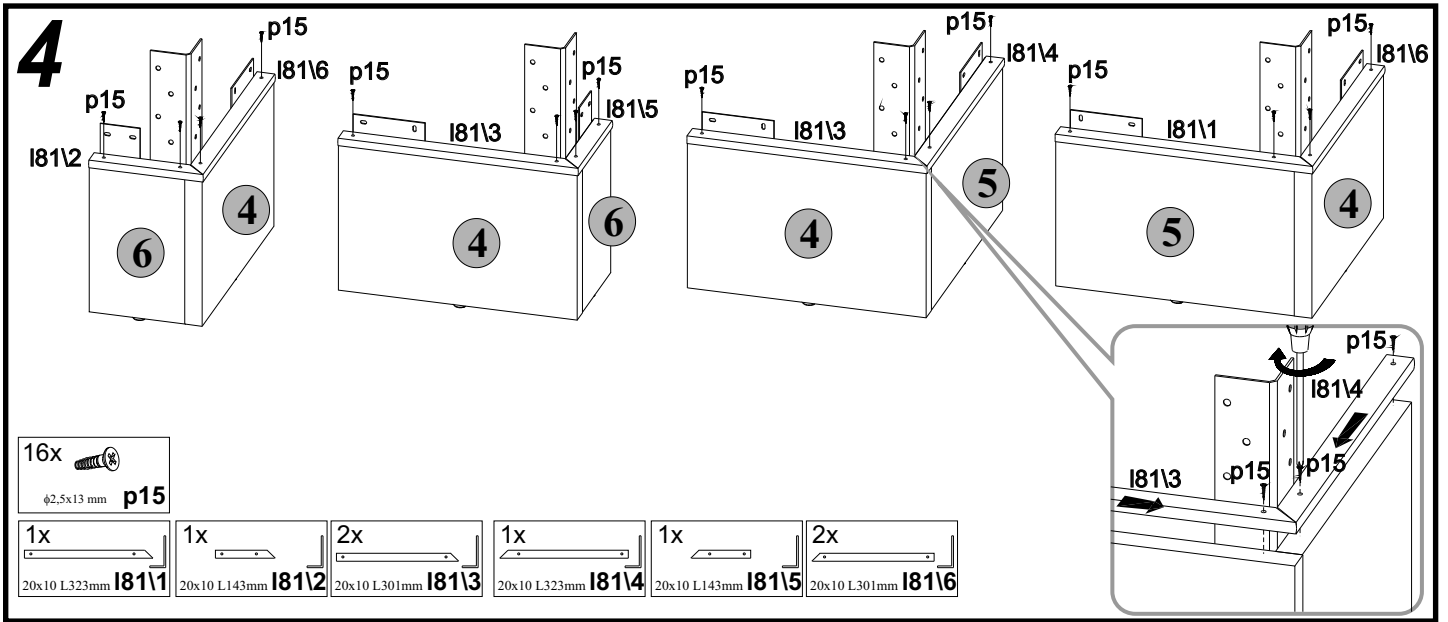


8x n148
 16x p93
 φ4x13 mm

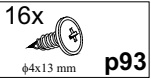
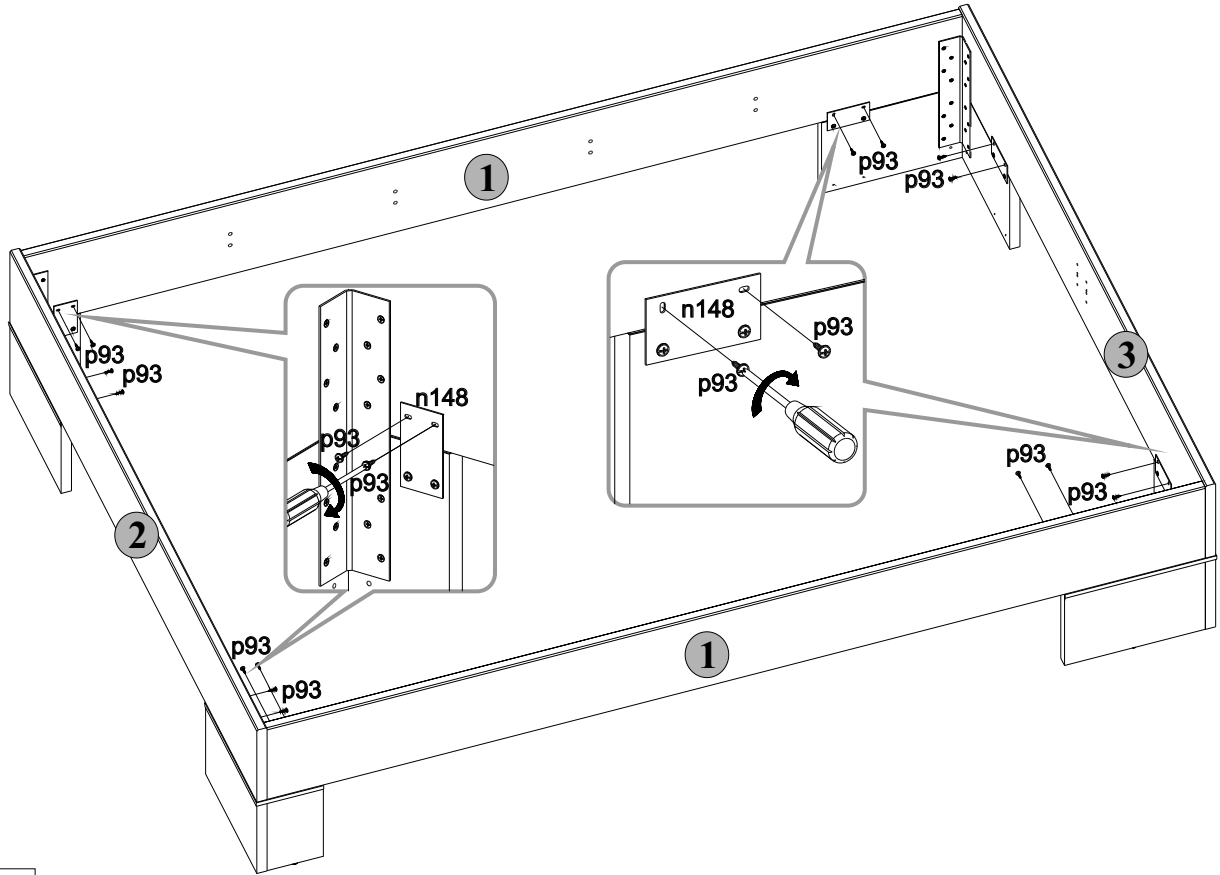
3



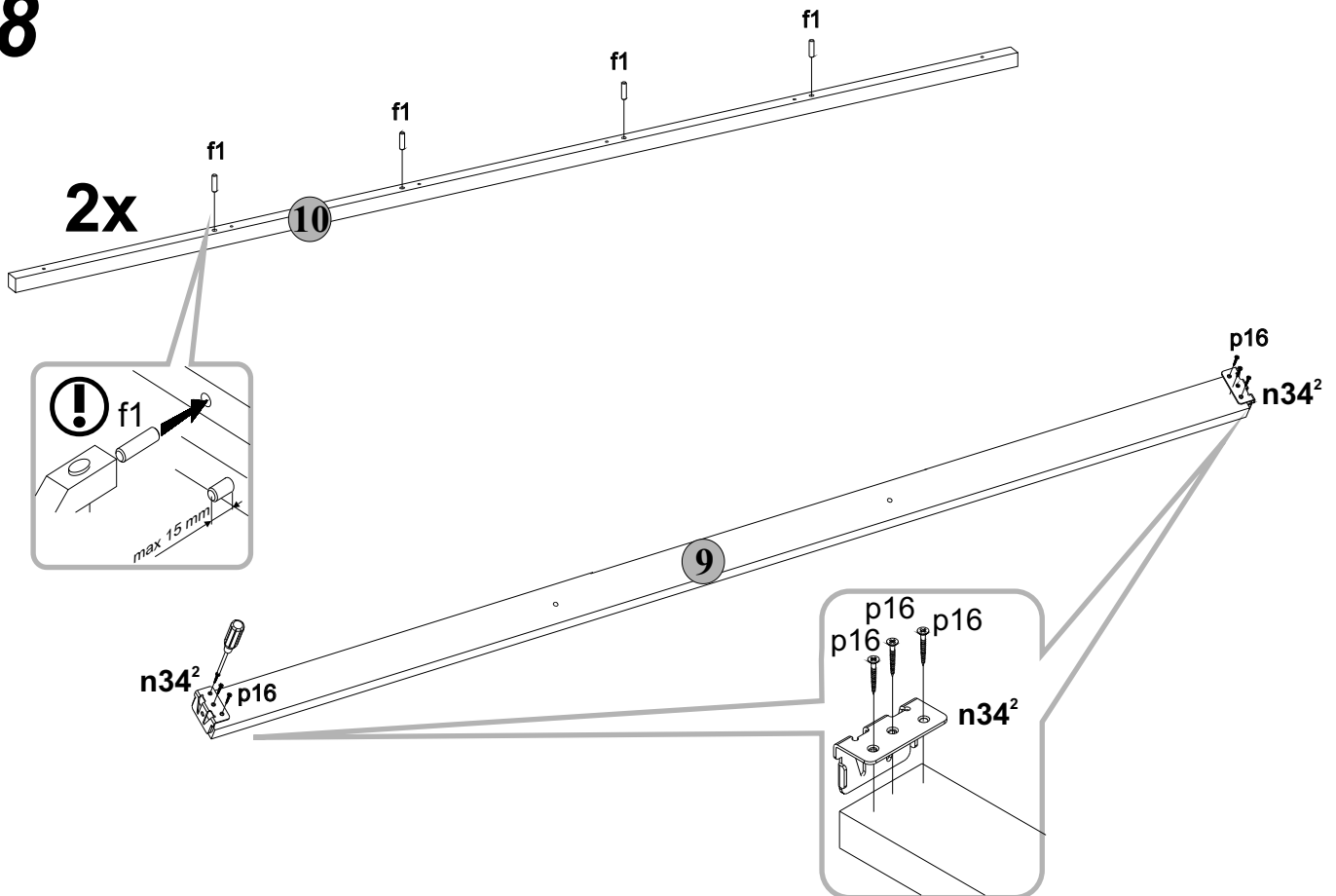
8x k1



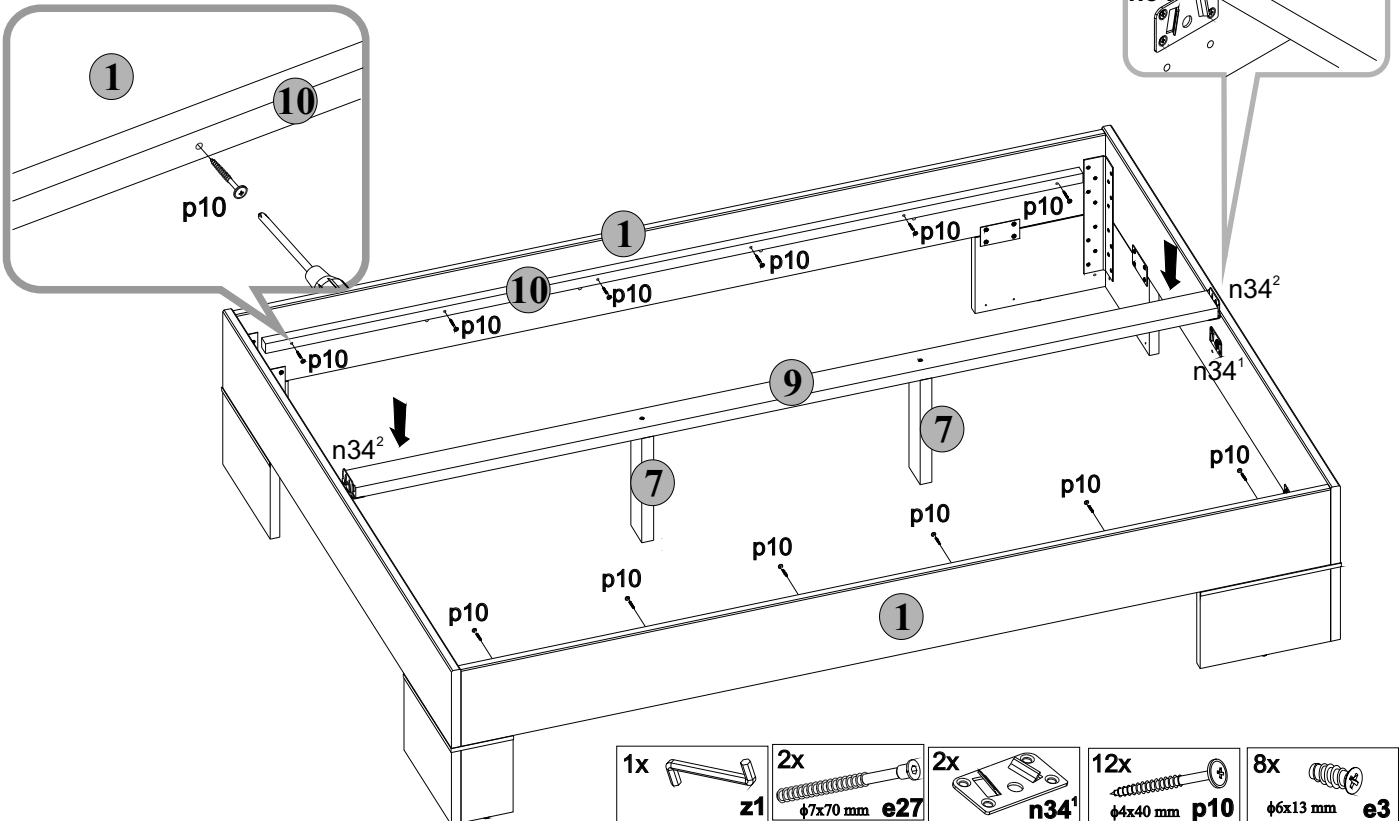
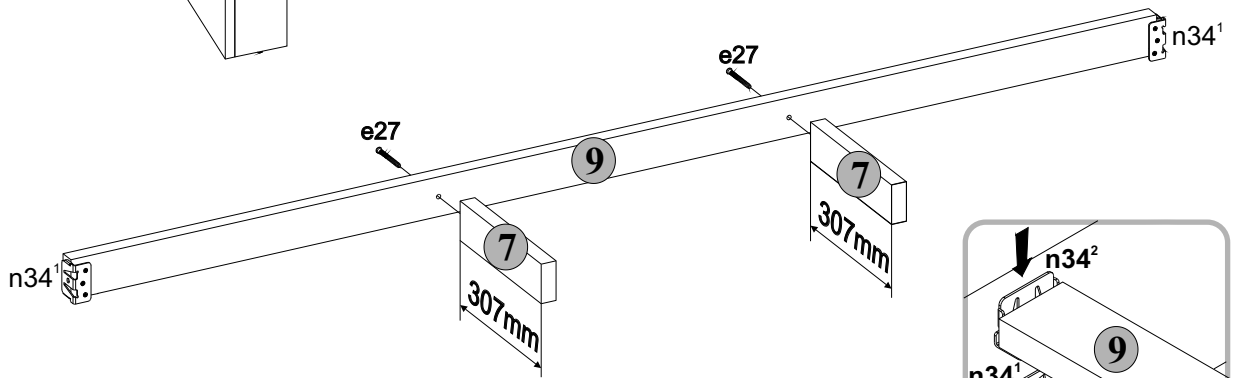
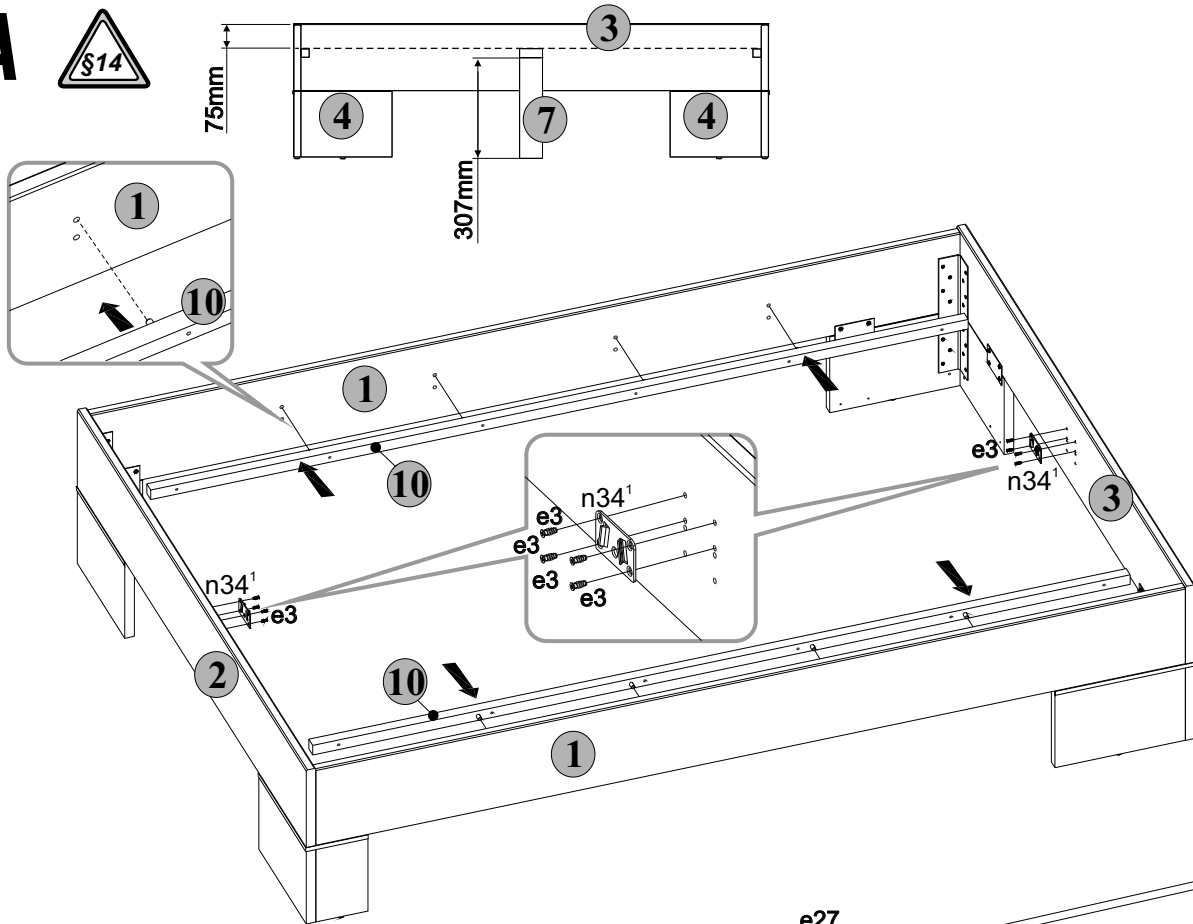
7



8



9A



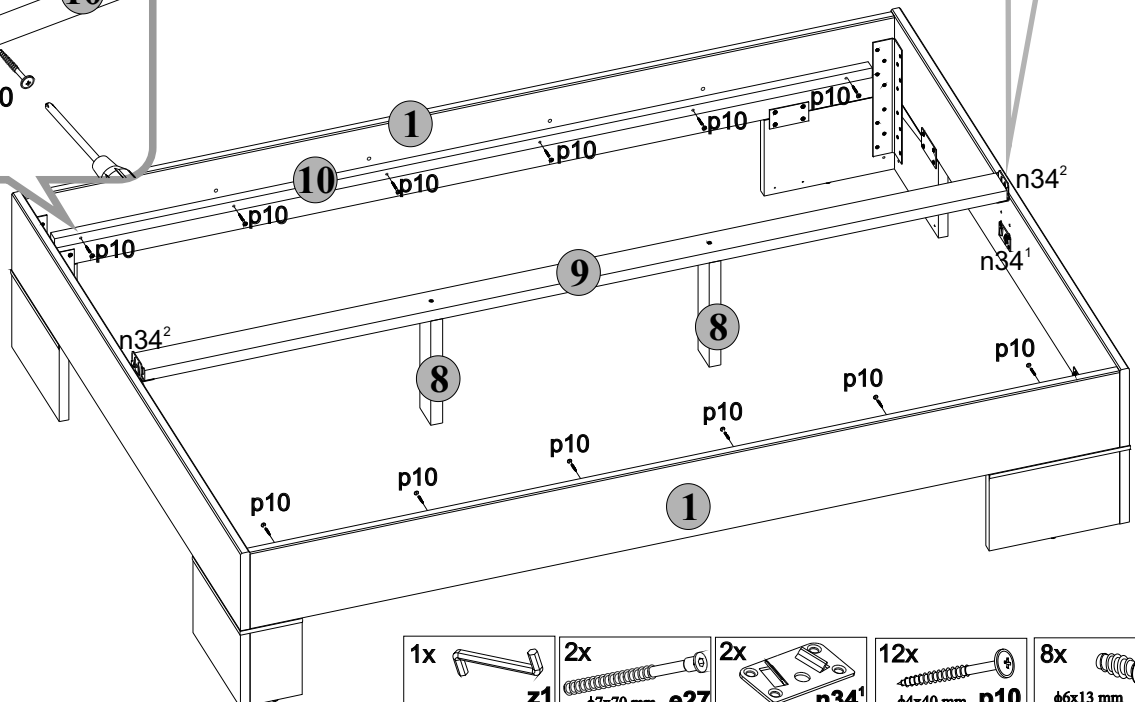
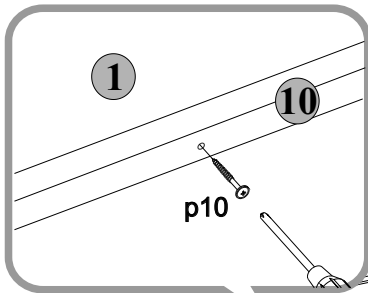
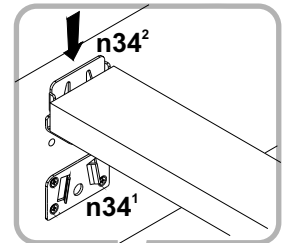
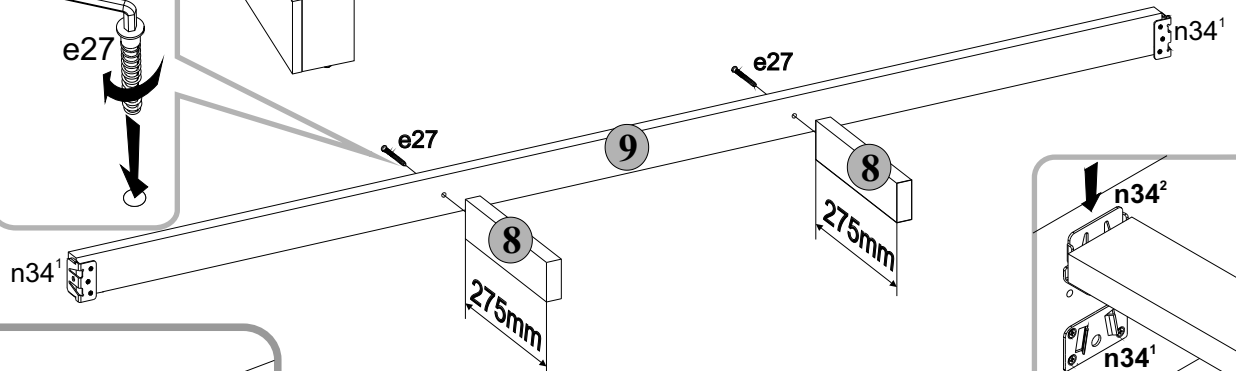
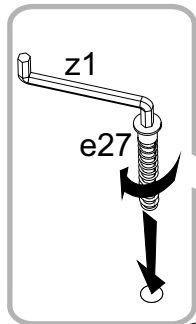
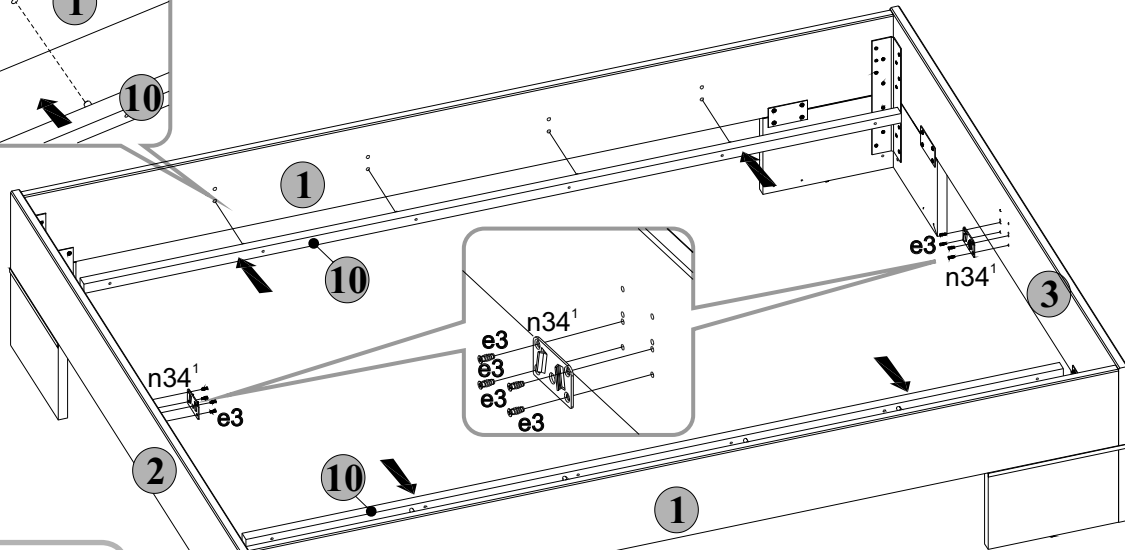
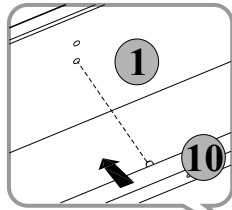
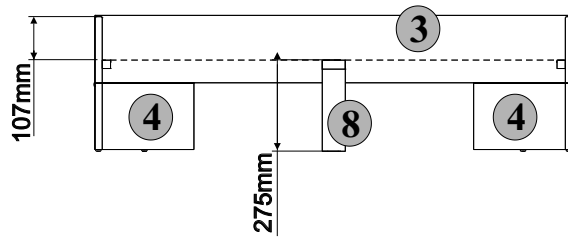
- | | | | | |
|--------|------------------------------|--------|-------------------------|-----------------------|
| 1x
 | 2x

z1
φ7x70 mm e27 | 2x
 | 12x

φ4x40 mm p10 | 8x

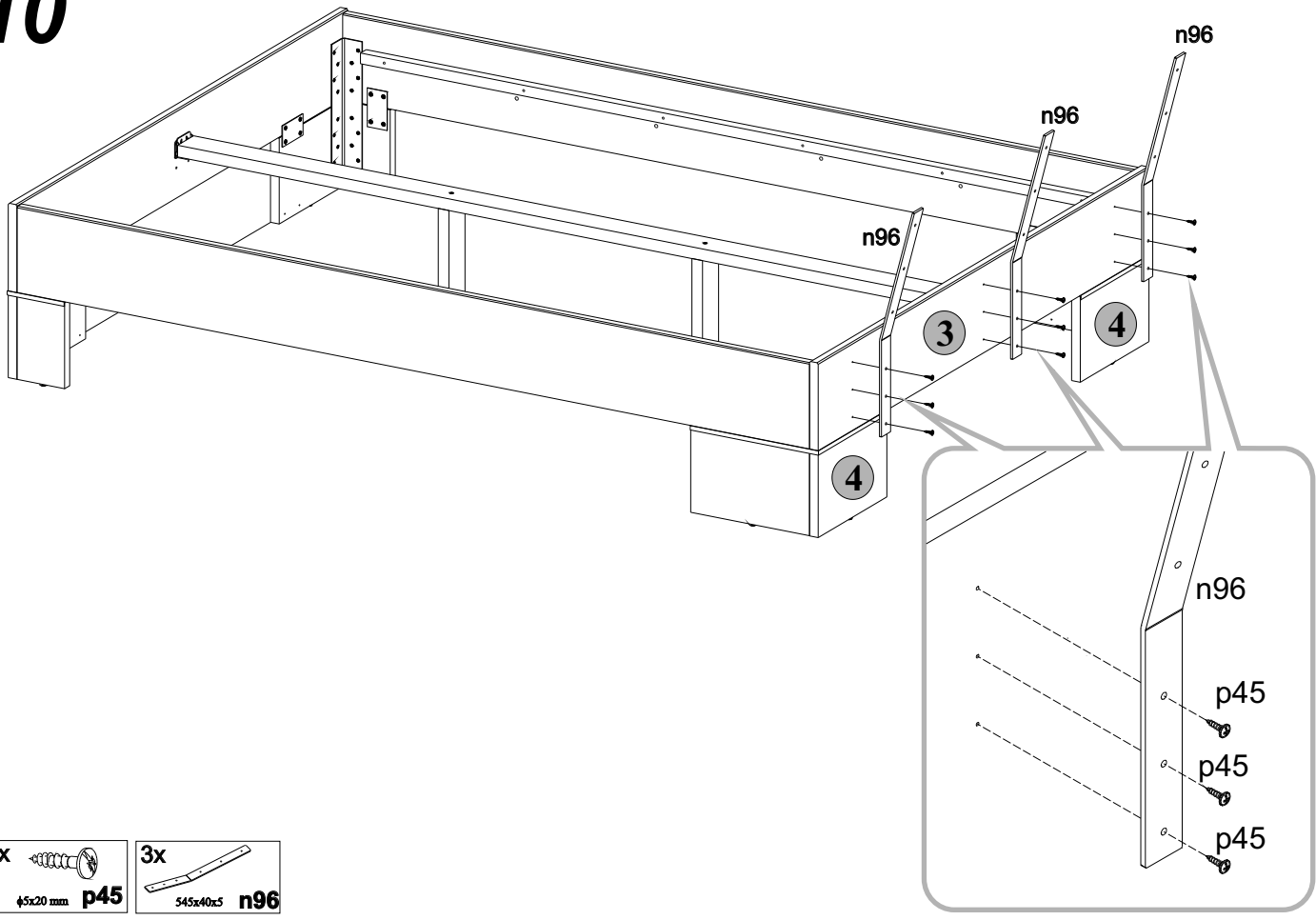
φ6x13 mm e3 |
|--------|------------------------------|--------|-------------------------|-----------------------|



9B



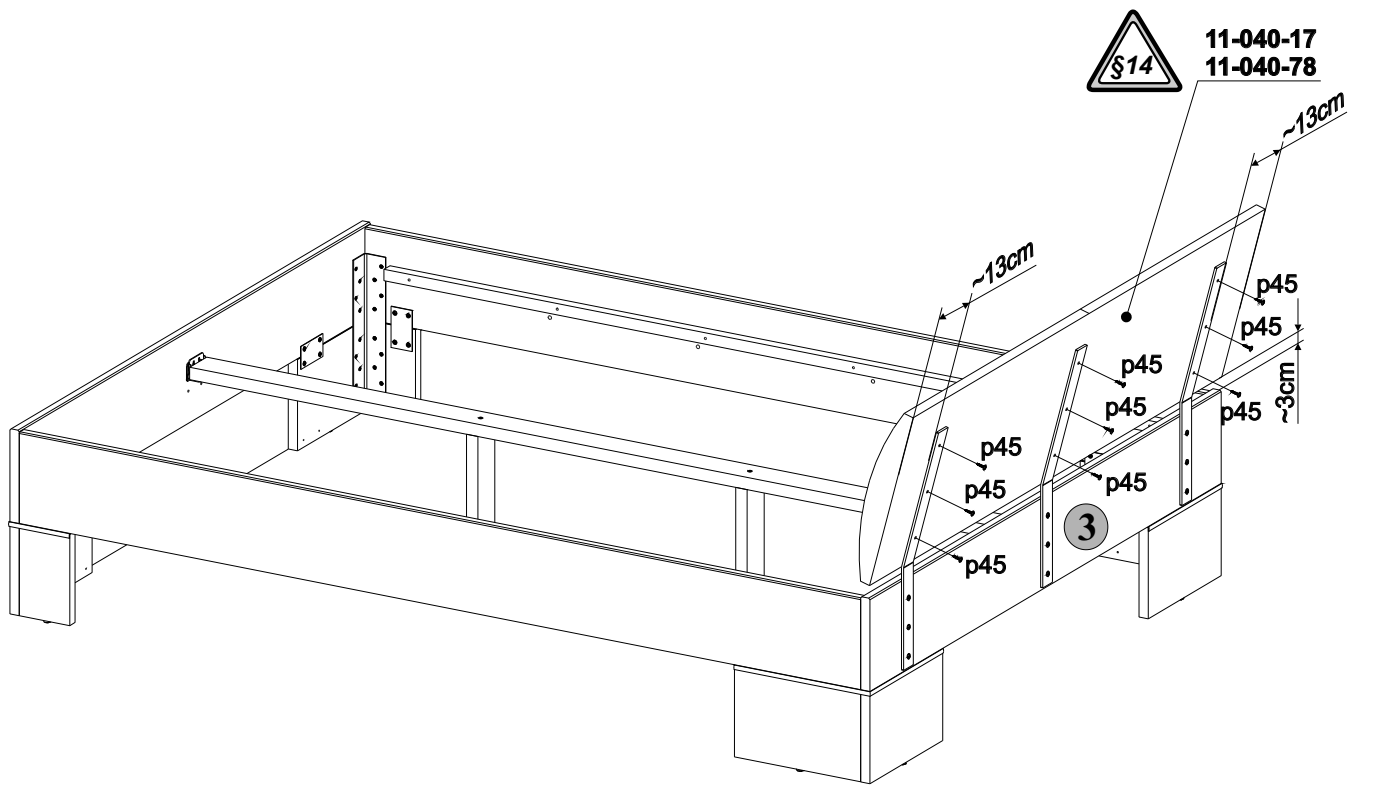
- | | | | | | | | | | |
|----|-----------|----|----------------------------------|----|-------------|-----|----------------------------------|----|---------------------------------|
| 1x | | 2x | | 2x | | 12x | | 8x | |
| | z1 | | $\phi 7 \times 70$ mm e27 | | n34' | | $\phi 4 \times 40$ mm p10 | | $\phi 6 \times 13$ mm e3 |


10



- 9x  $\phi 5 \times 20$ mm p45
- 3x  545x40x5 n96

11



- 9x  $\phi 5 \times 20$ mm p45

12

