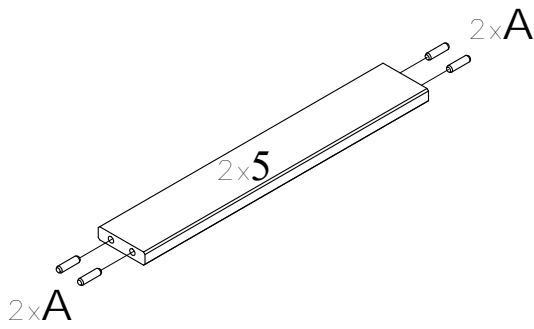
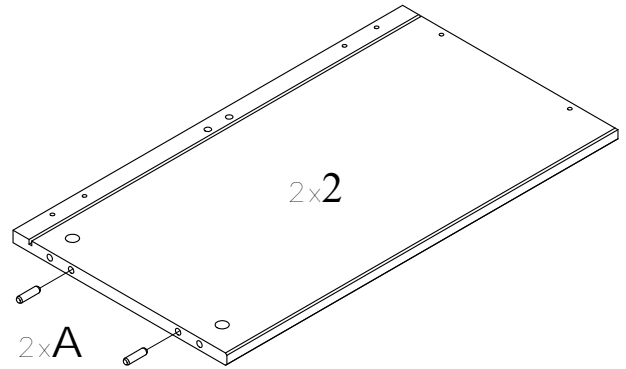
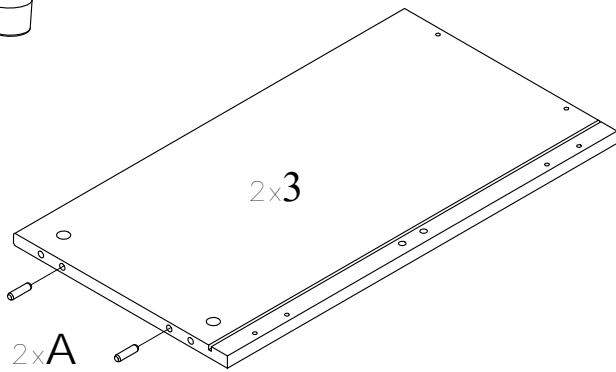
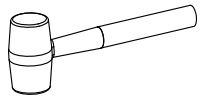
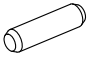


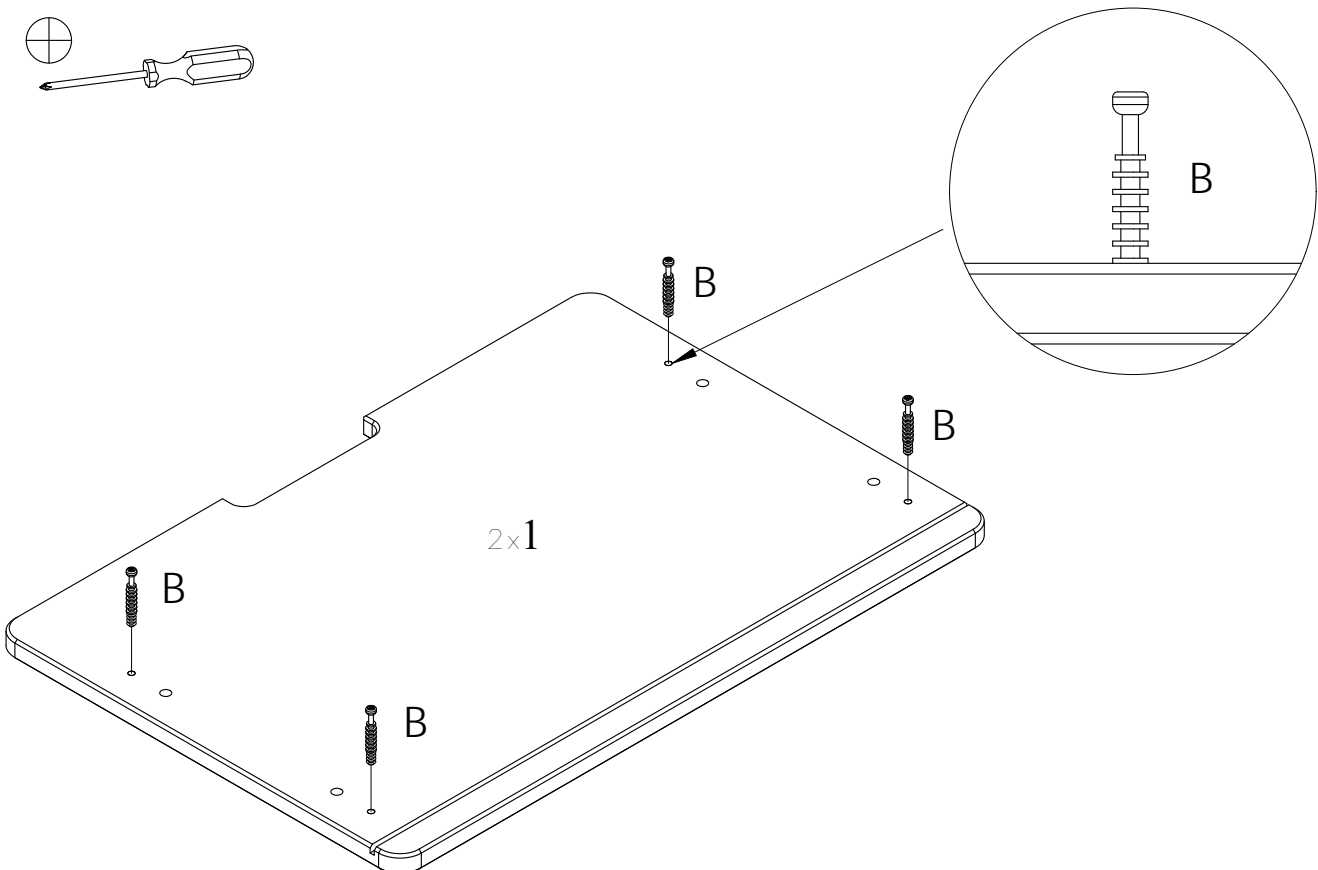
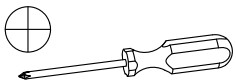
A		8x30	x16
B		7x34	x8
C		15x12	x8
D		5x38	x8
E		H-484	x2
F		D35	x8
G		12/6,3x7,7	x16

1



A		8x30	x16
---	---	------	-----

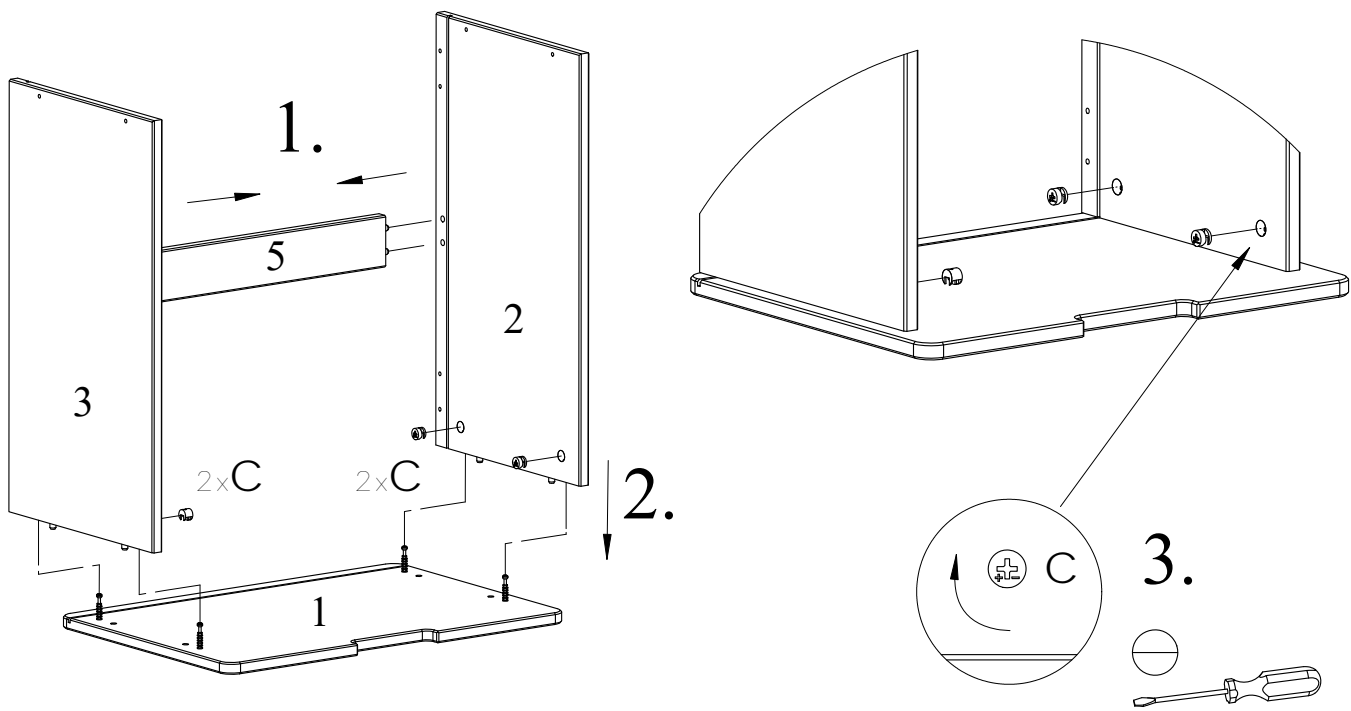
2



B		7x34	x8
---	---	------	----

③

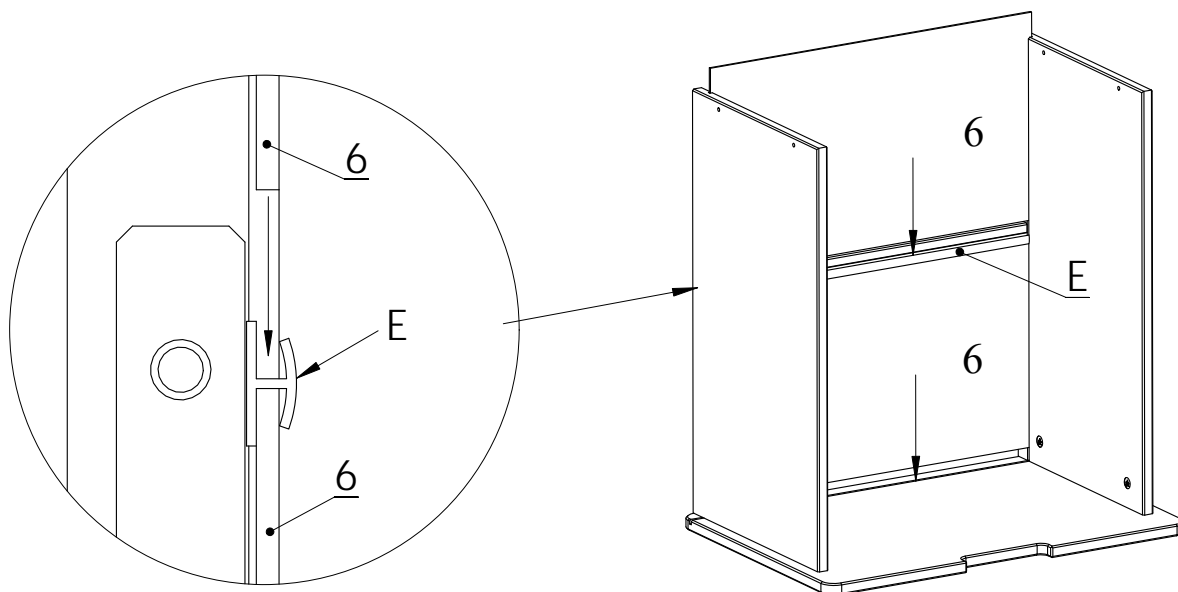
2x




C		15x12	x8
---	---	-------	----

④

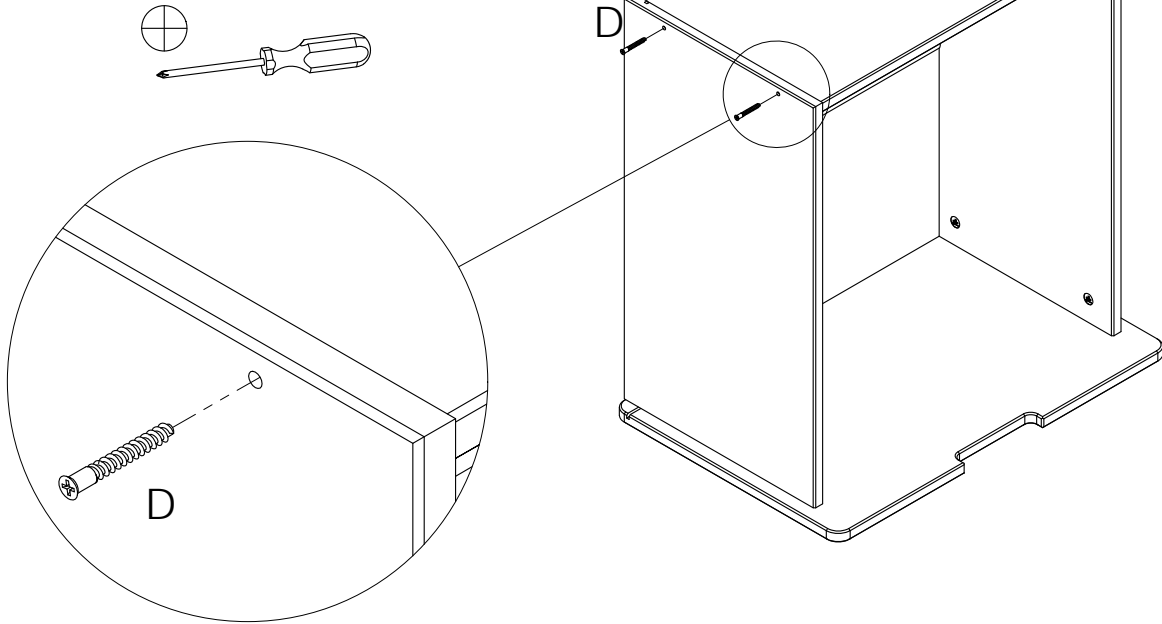
2x




E		H-484	x2
---	--	-------	----

5

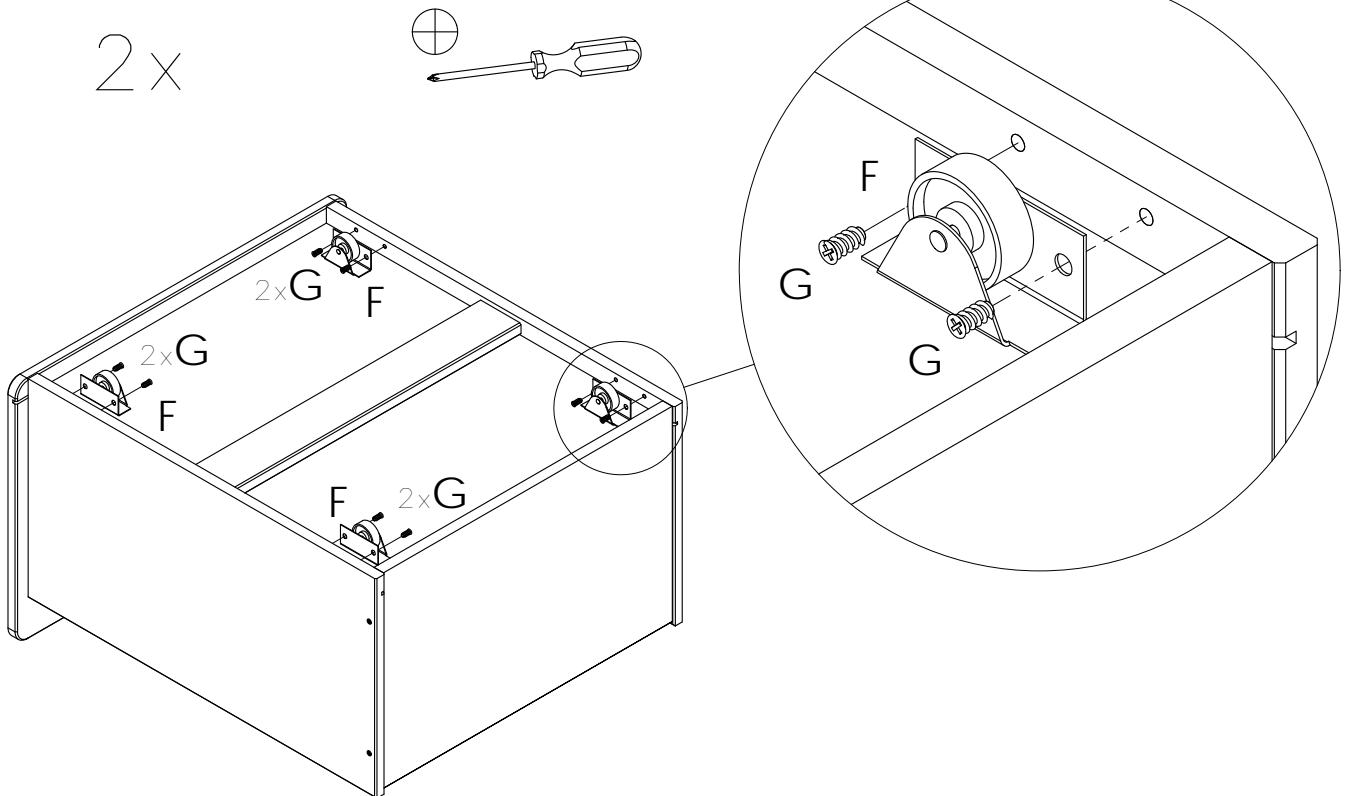
2x

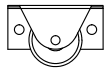



D		5x38	x8
---	---	------	----

6

2x



F		D35	x8
G		12/6,3x7,7	x16