


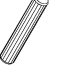
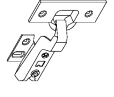
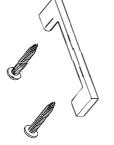









ASSEMBLY INSTRUCTIONS

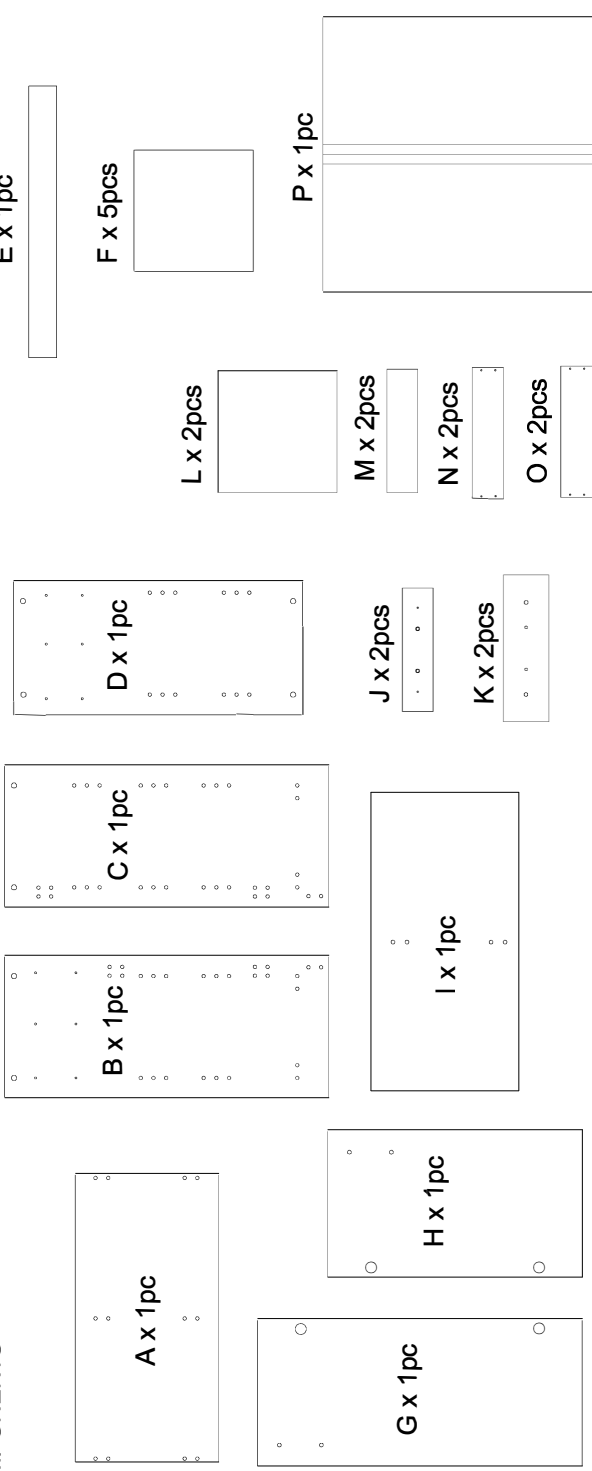
CAUTION :

- BEFORE ASSEMBLING, READ ALL THE INSTRUCTION.
- ENSURE ALL COMPONENTS ARE PLACE ONTO CARDBOARD AS PROTECTION.
- CLEAN SURFACE WITH A DRY OR DAMP SOFT CLOTH.
- DO NOT USE ABRASIVE CLEANERS, DETERGENT OR CHEMICAL.

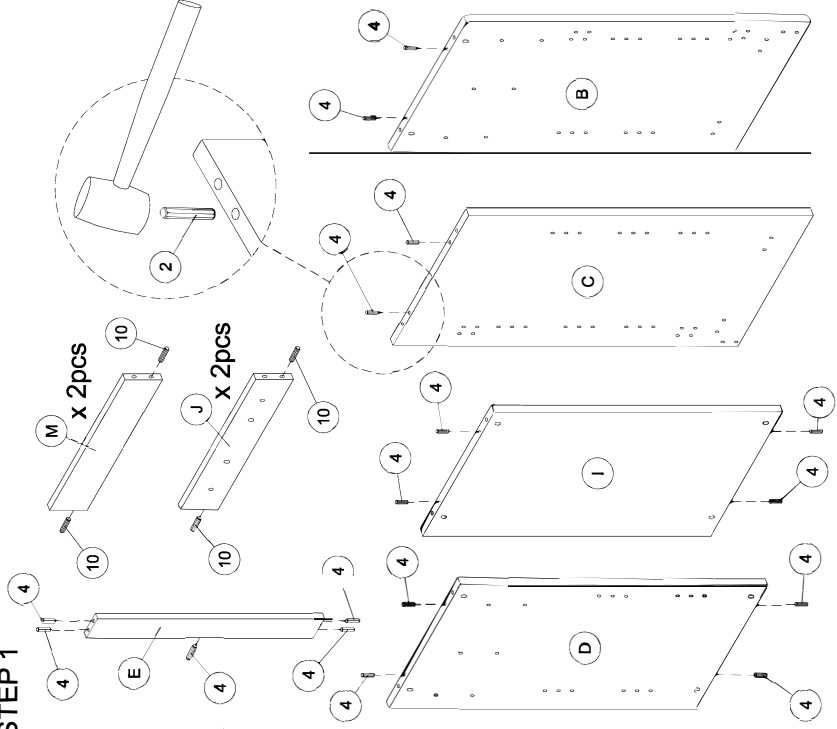
HARDWARE :

1		2		3		4		5		6		7		8	
x 12 PCS	x 12 PCS	x 12 PCS	x 12 PCS	x 12 PCS	x 17 PCS	x 4 SETS	x 4 SETS	x 4 SETS	x 4 SETS	x 54 PCS	x 4 SETS	x 54 PCS	x 20 PCS		
9		10		11		12		13							
CBS 4 X 38mm x 8 PCS	6 X .30mm x 8 PCS	PHMB 6 X 25mm x 4 PCS	8 X 30mm x 17 PCS	CBS 3.5 X 16mm x 48 PCS											

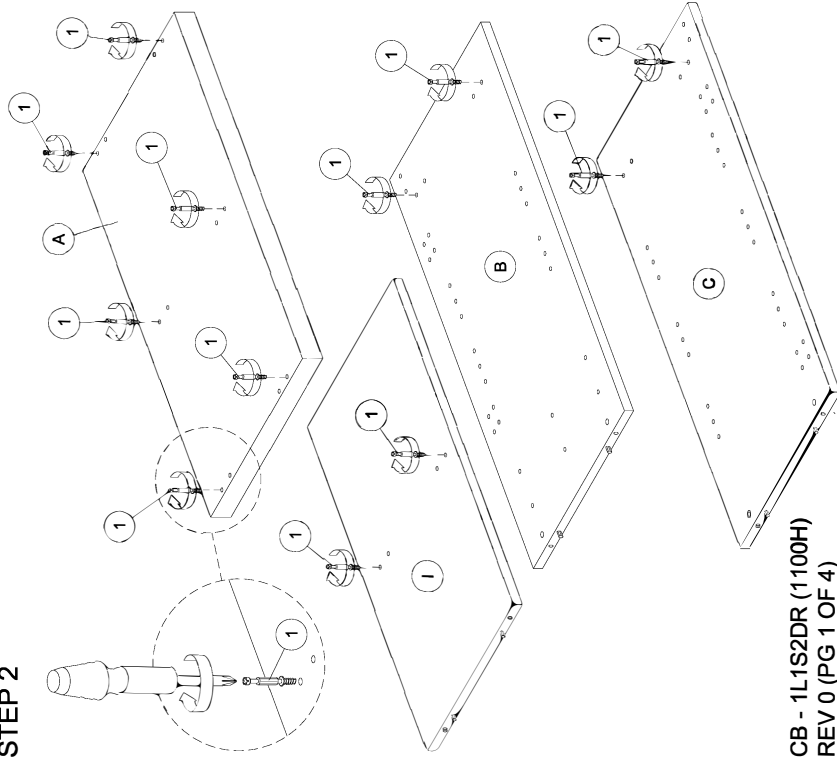
COMPONENTS :



STEP 1

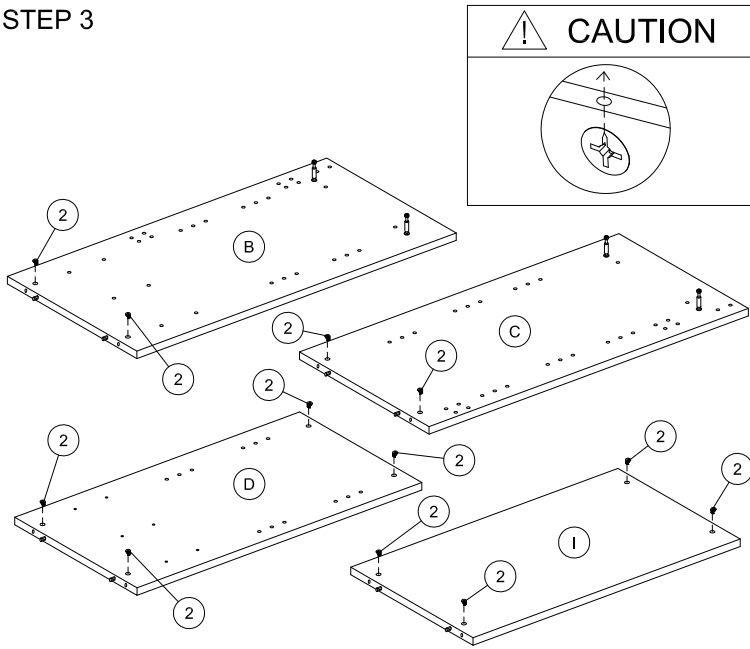


STEP 2

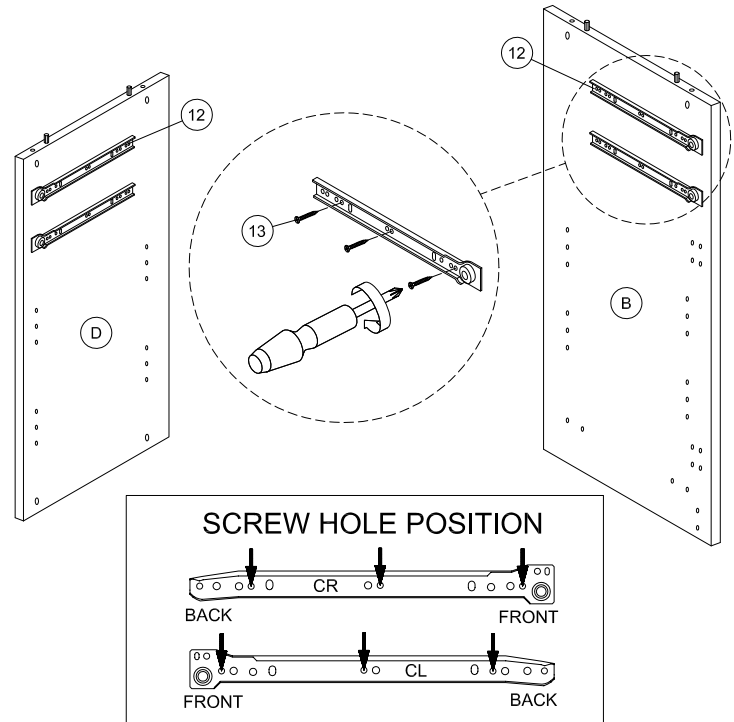


ASSEMBLY INSTRUCTIONS

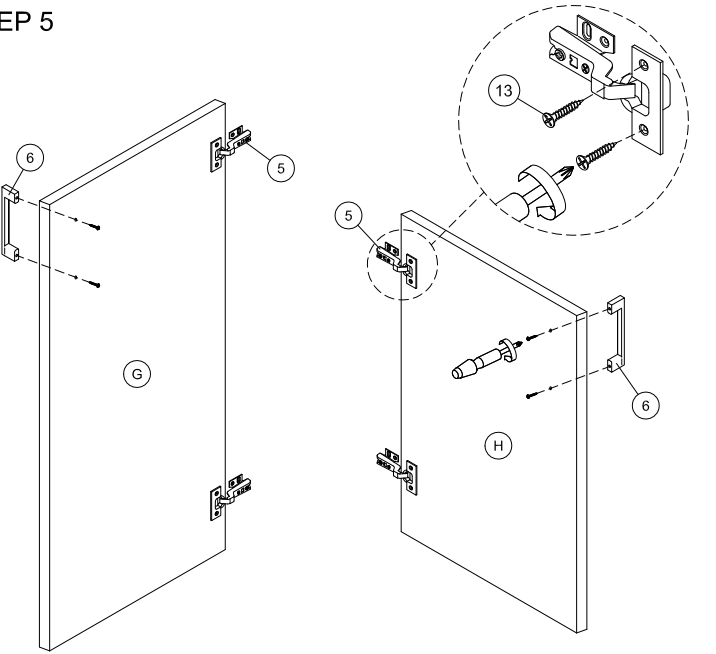
STEP 3



STEP 4

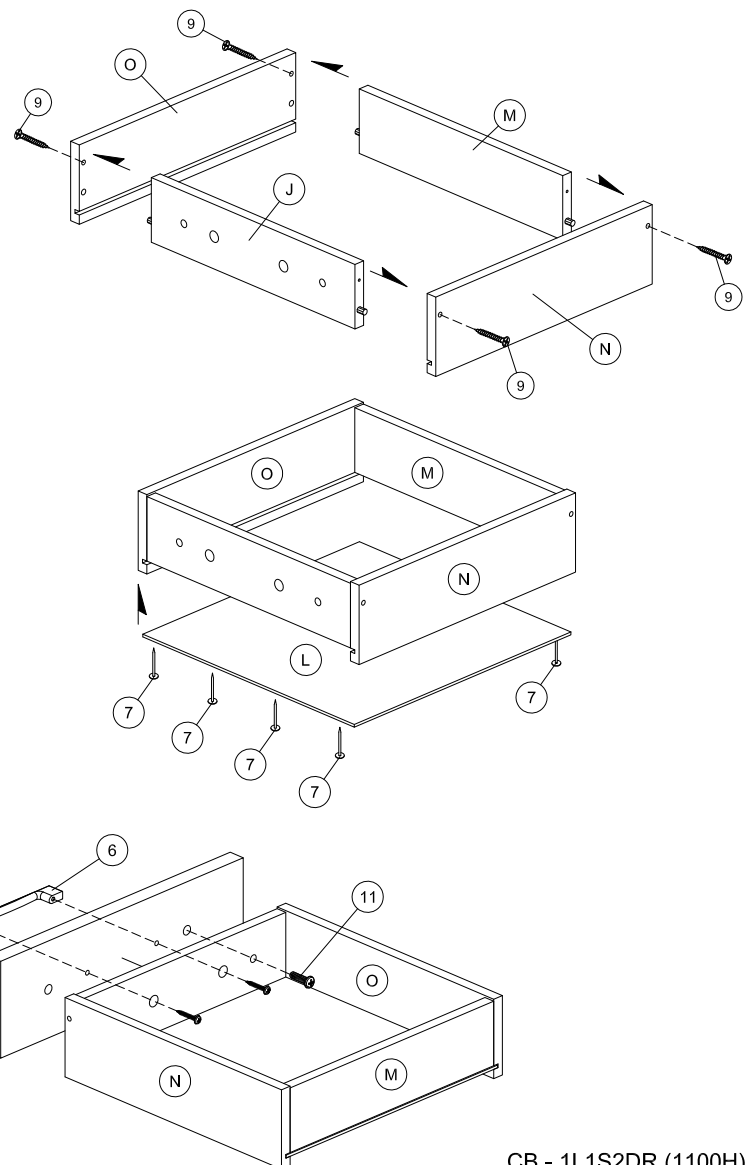


STEP 5



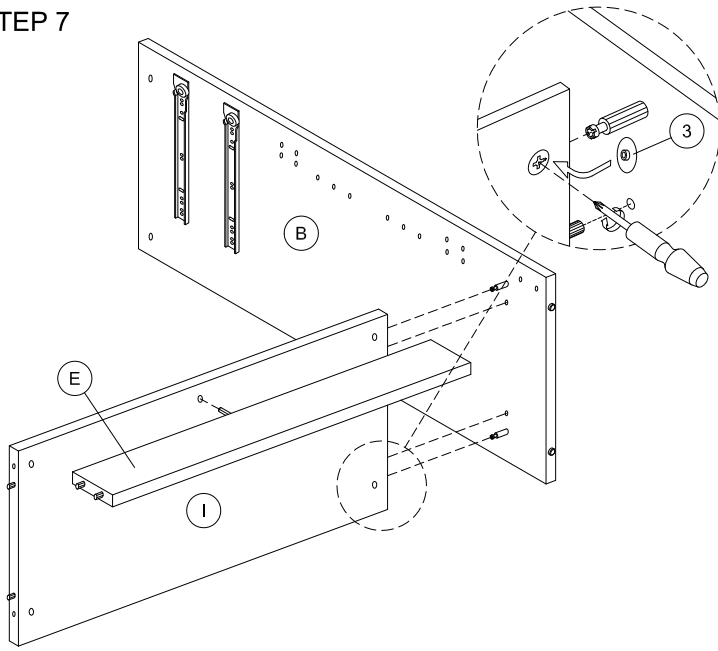
STEP 6

ASSEMBLY-DRAWER

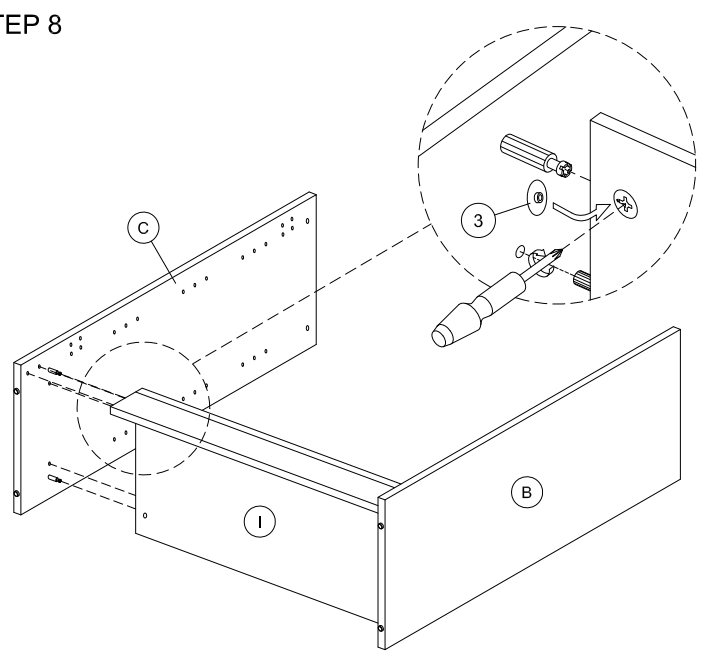


ASSEMBLY INSTRUCTIONS

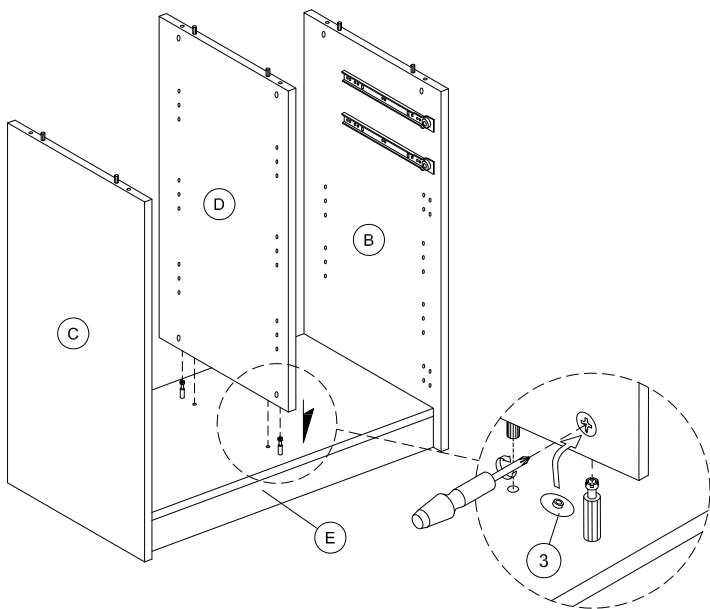
STEP 7



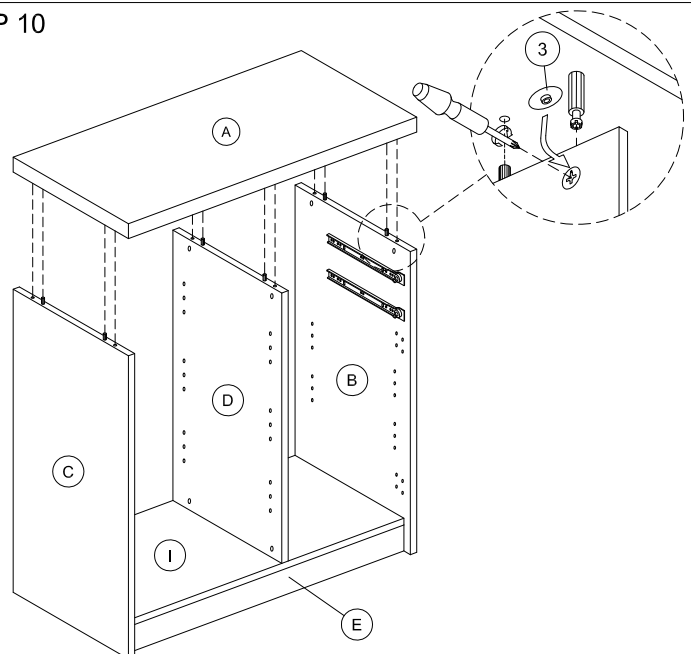
STEP 8



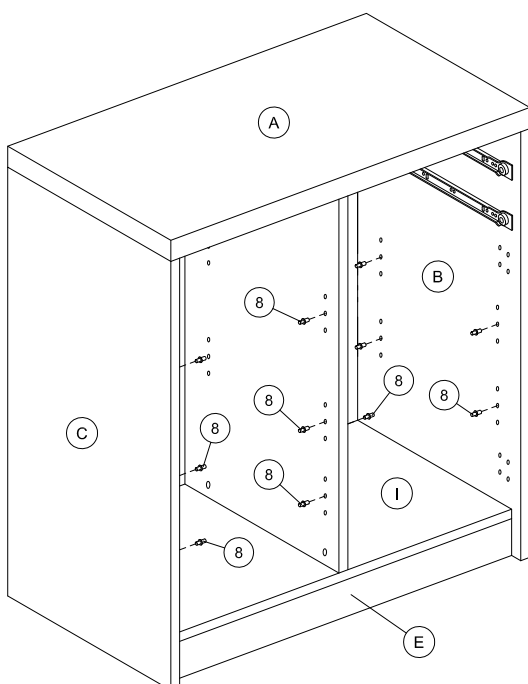
STEP 9



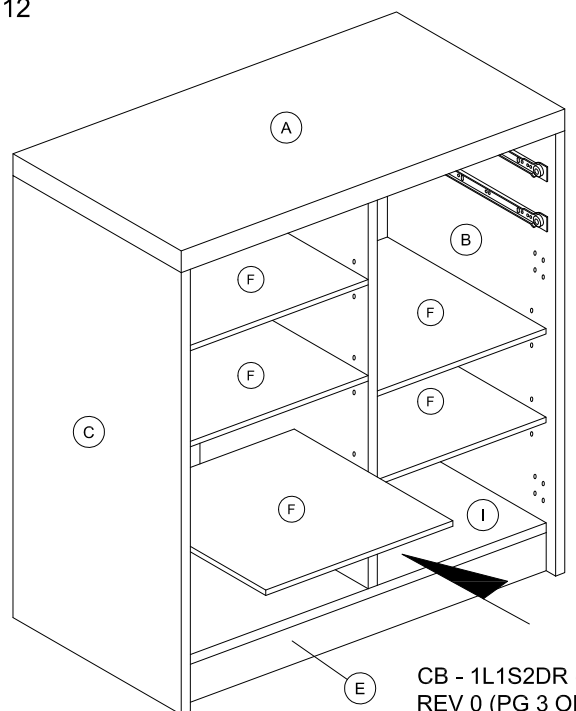
STEP 10



STEP 11

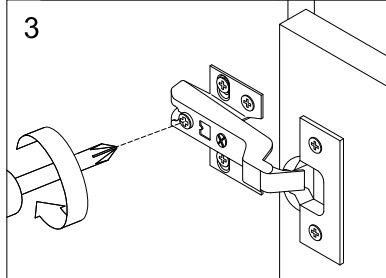
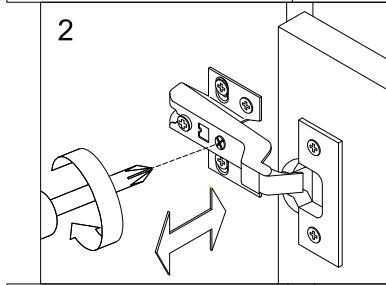
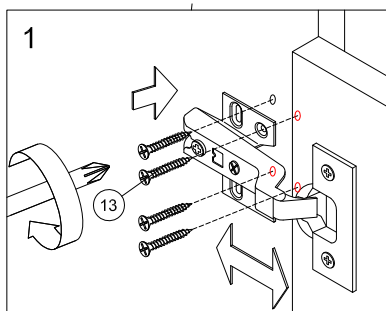
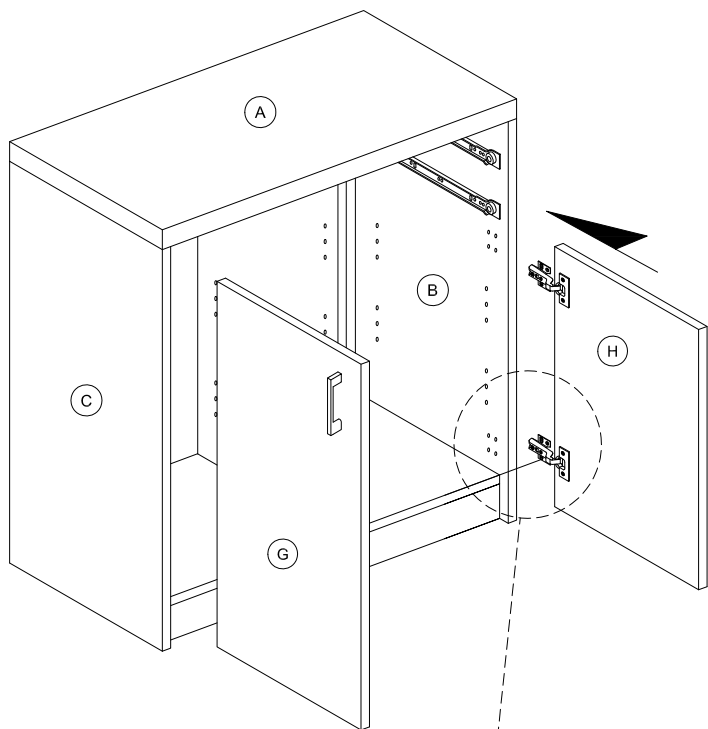


STEP 12

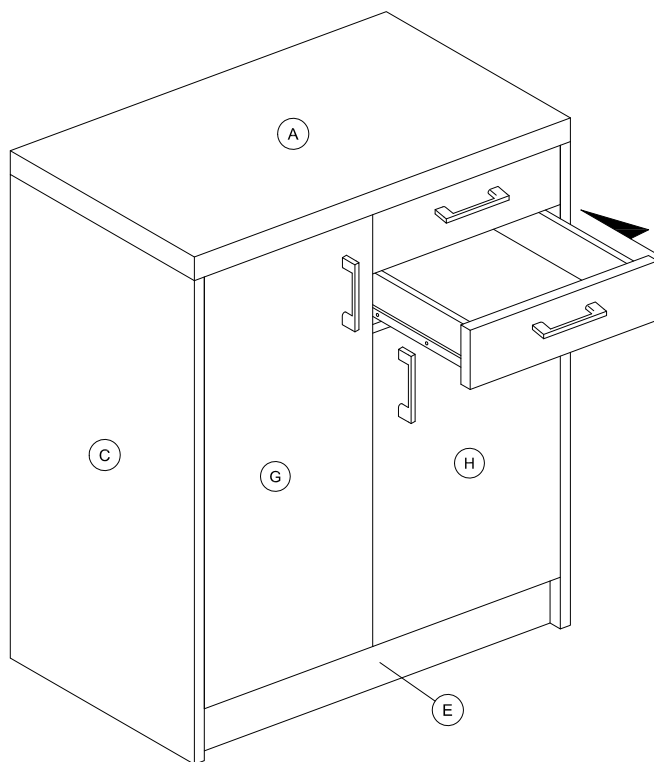


ASSEMBLY INSTRUCTIONS

STEP 13



STEP 14



STEP 15

