





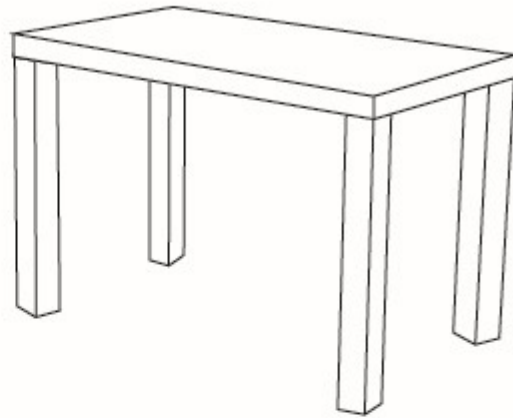


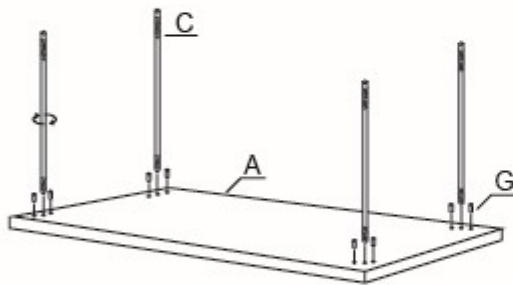
ASSEMBLY INSTRUCTION

Item NO: 5112-2

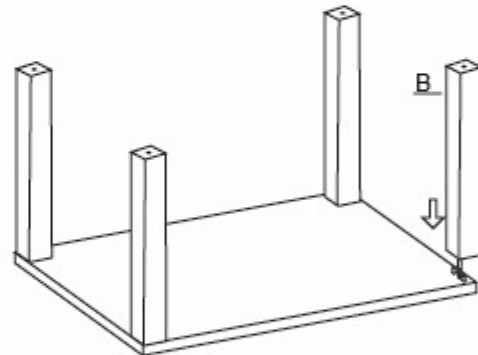
HARDWARE LIST			
NO.	PART	DESCRIPTION	Q'TY
A		top MDF	1
B		leg	4
C		rod	4
D		metal caps	4
E		screw nut	4
F		hexagon spanner	1
G		wood key	8



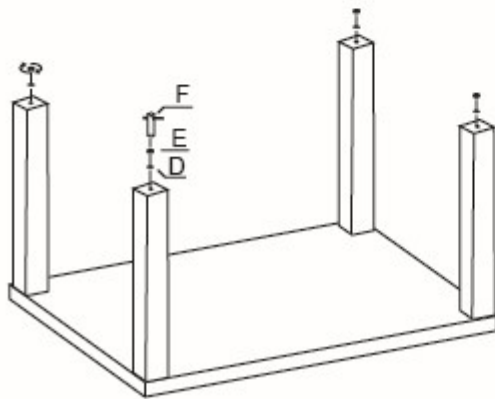
step 1



step 2



step 3



step 4

