

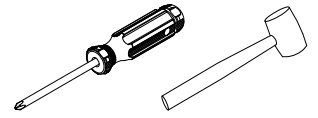
# ASSEMBLY INSTRUCTIONS

6020

**CAUTION :**

- BEFORE ASSEMBLING, READ ALL THE INSTRUCTION.
- ENSURE ALL COMPONENTS ARE PLACE ONTO CARDBOARD AS PROTECTION.
- CLEAN SURFACE WITH A DRY OR DAMP SOFT CLOTH.
- DO NOT USE ABRASIVE CLEANERS, DETERGENT OR CHEMICAL.

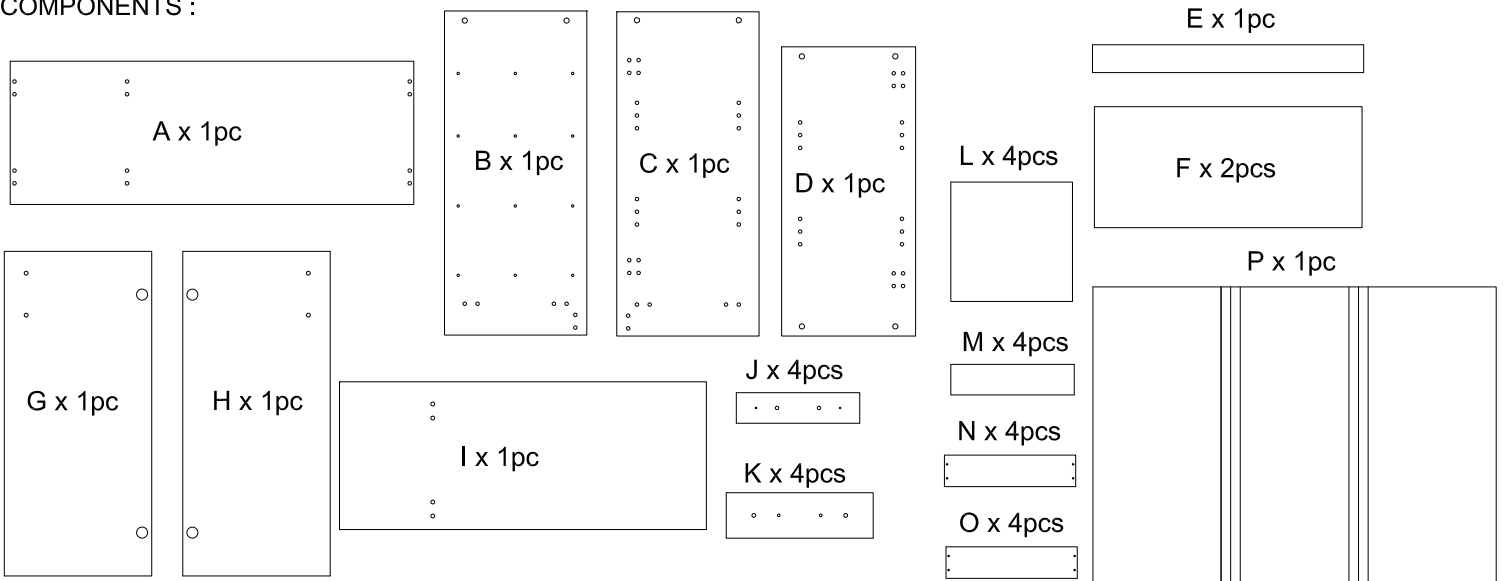
**TOOLS REQUIRED :**



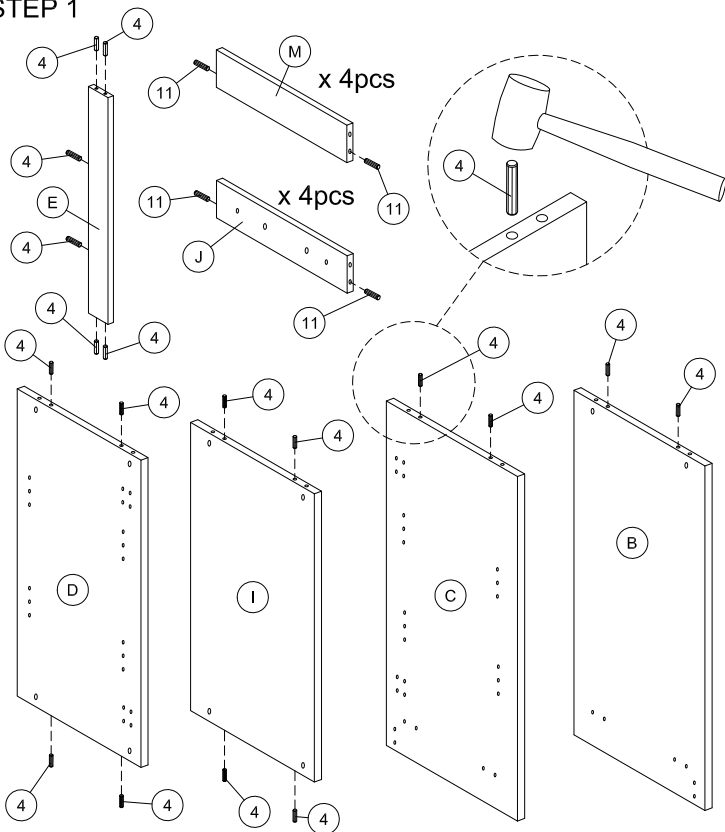
**HARDWARE :**

1	2	3	4	5	6	7	8
x 12 PCS	x 12 PCS	x 12 PCS	8 x 30mm x 18 PCS	INLAY x 2 SETS	HALF OVERLAY x2 SETS	x 6 SETS	x 72 PCS
9	10	11	12	13	14		
x 8 PCS	CBS 4 x 38mm x 16 PCS	6 x 30mm x 16 PCS	PHMB 6 x 25mm x 8 PCS	x 4 SETS	CBS 3.5 x 16mm x 72 PCS		

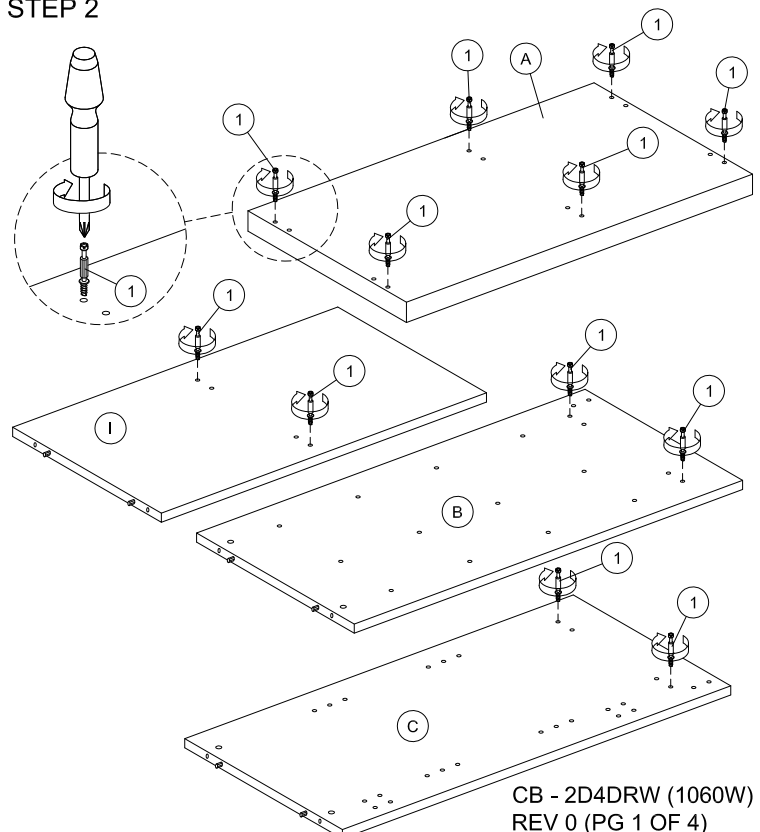
**COMPONENTS :**



**STEP 1**

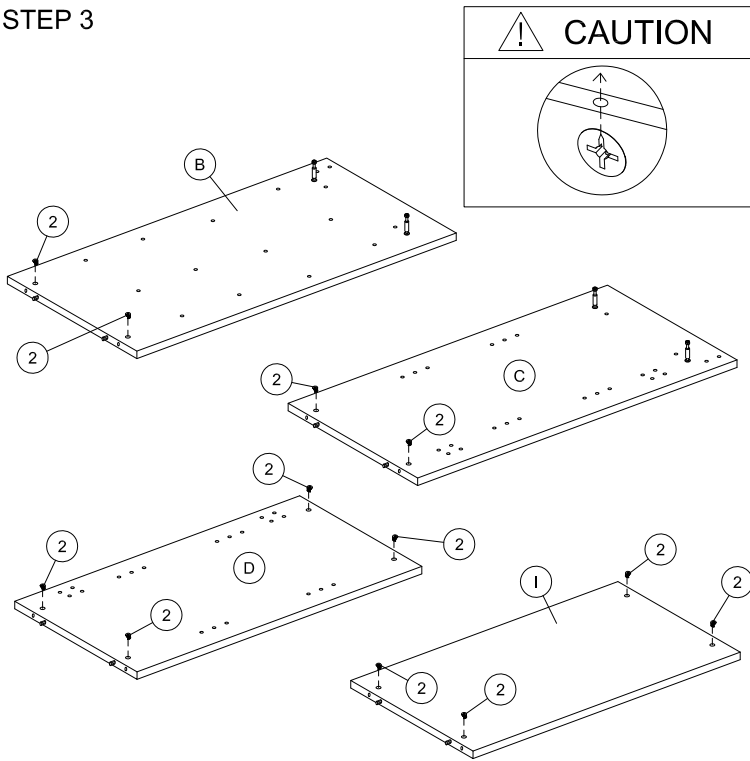


**STEP 2**

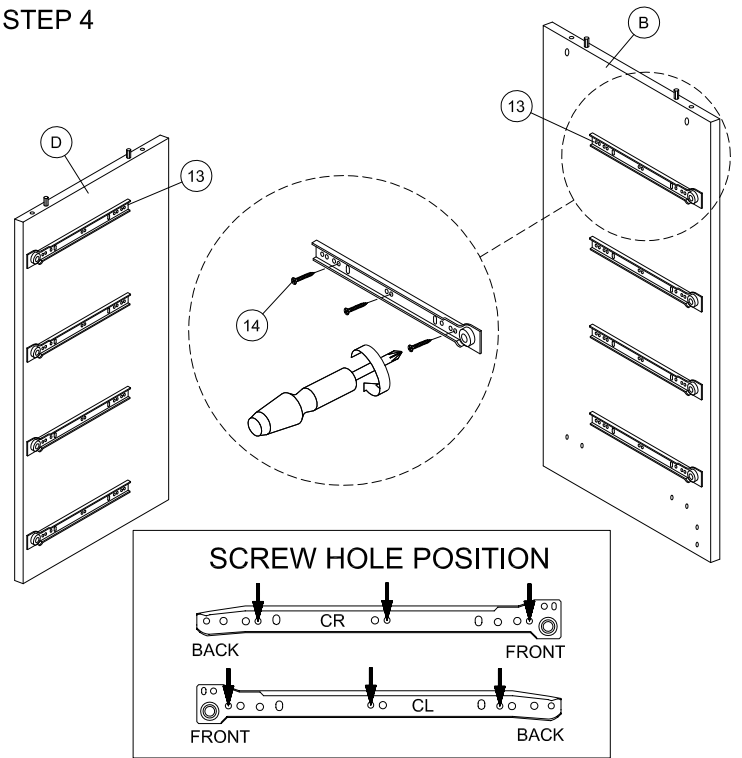


# ASSEMBLY INSTRUCTIONS

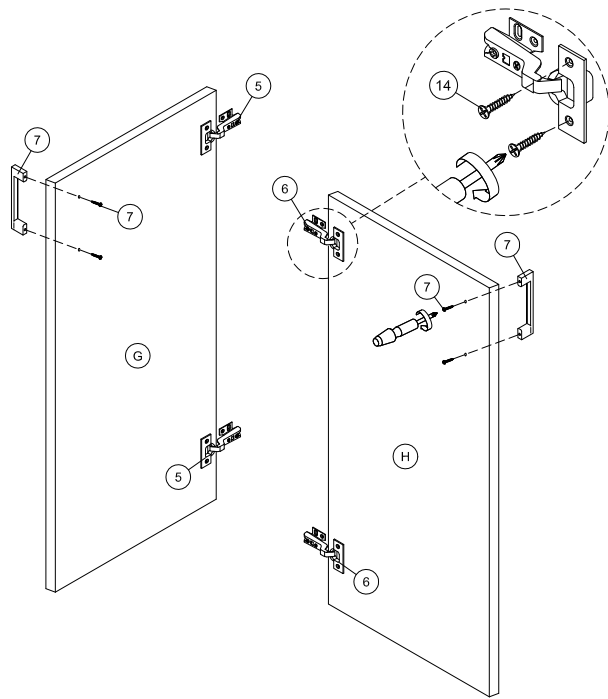
STEP 3



STEP 4

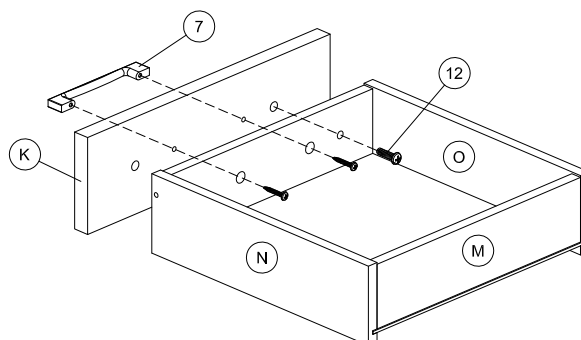
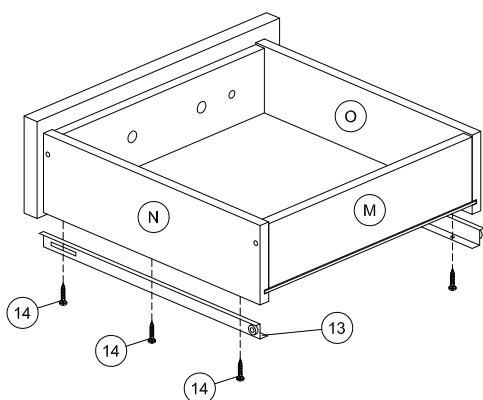
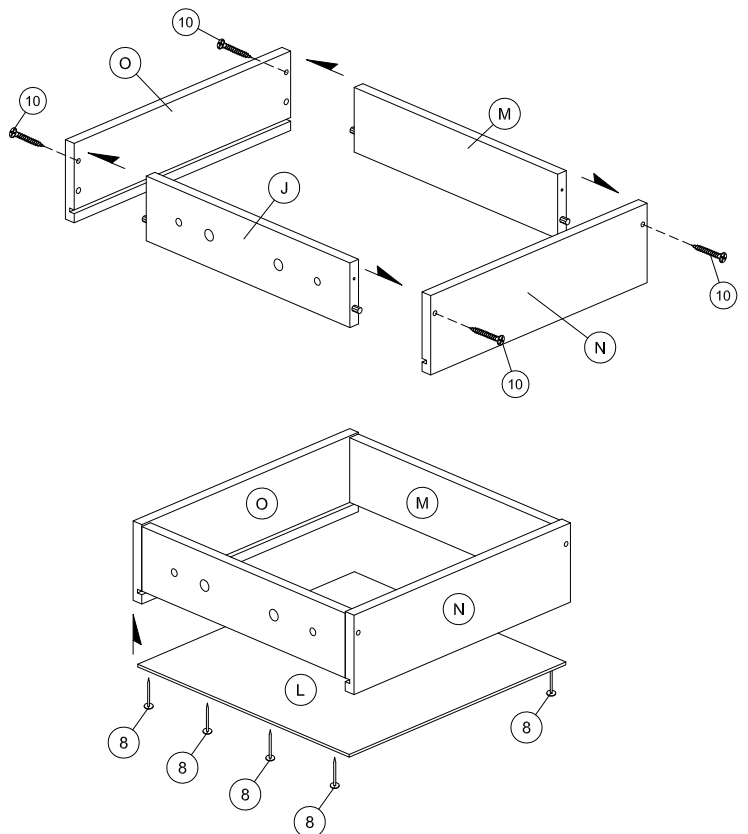


STEP 5



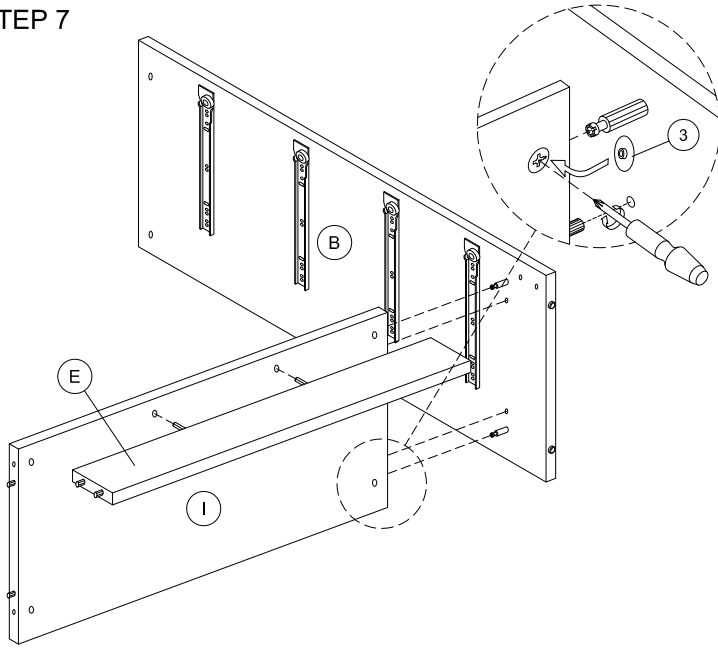
STEP 6

ASSEMBLY-DRAWER

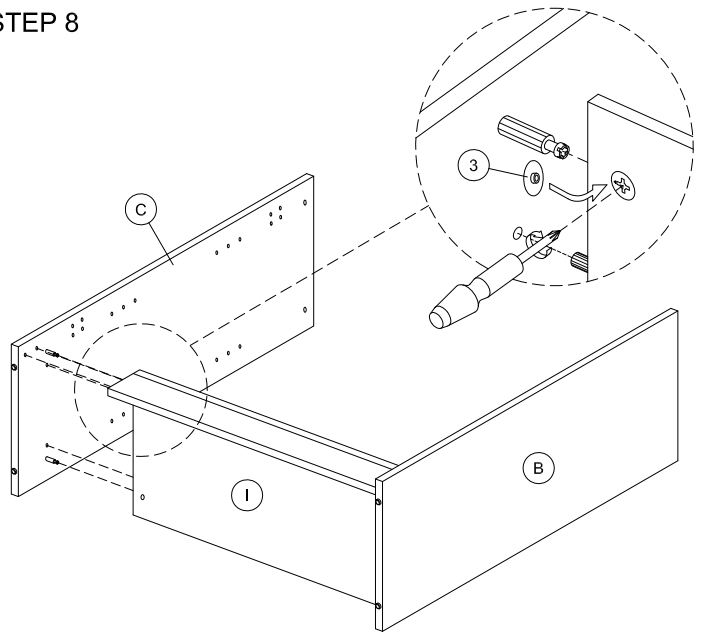


# ASSEMBLY INSTRUCTIONS

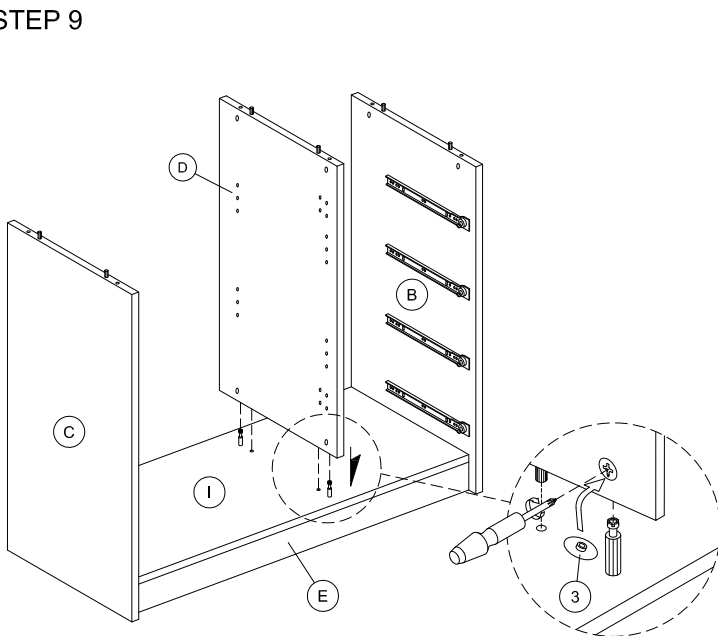
STEP 7



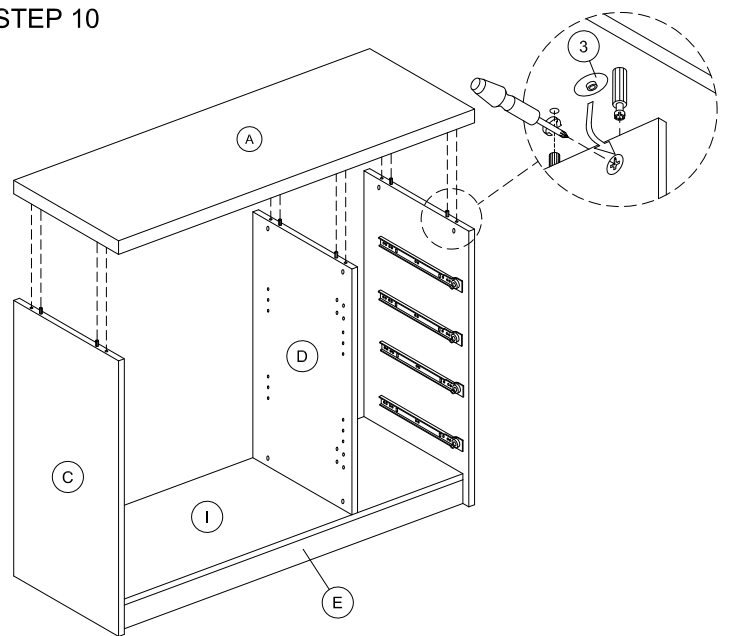
STEP 8



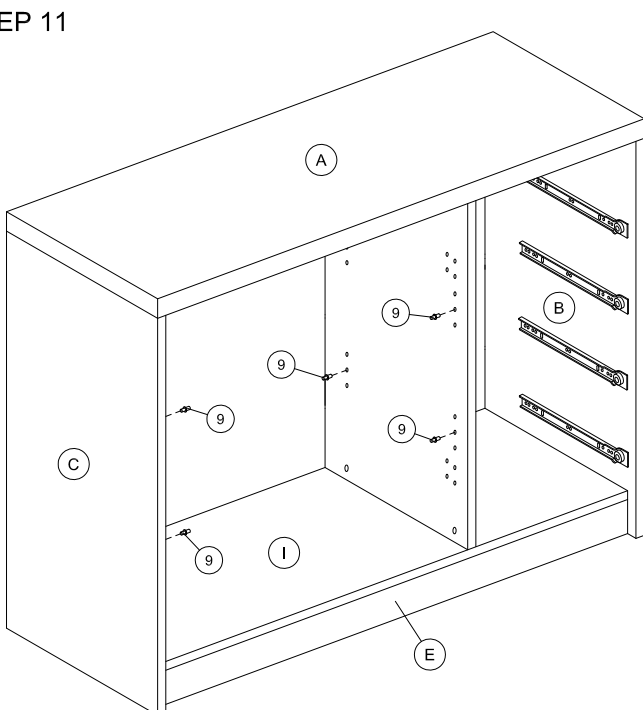
STEP 9



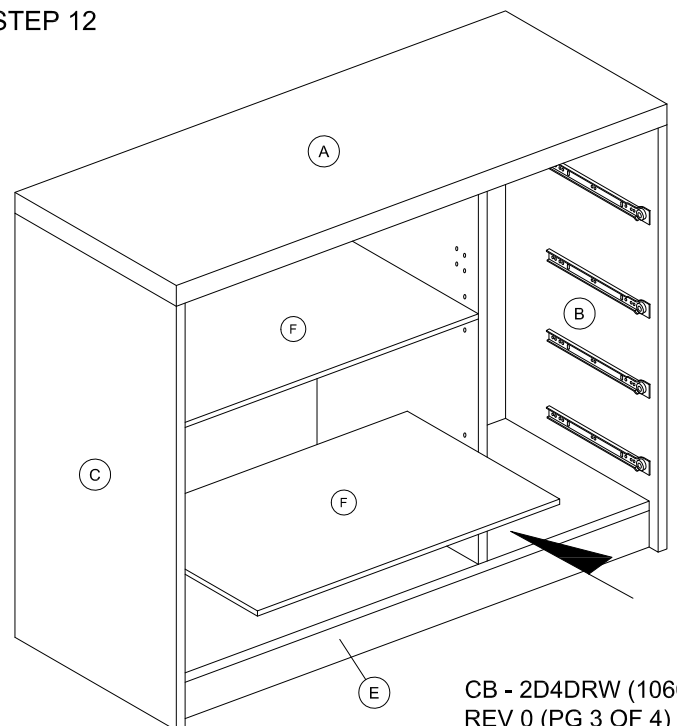
STEP 10



STEP 11

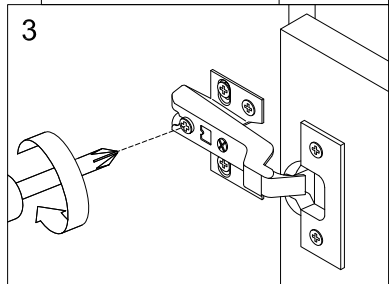
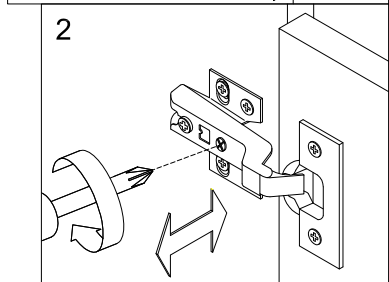
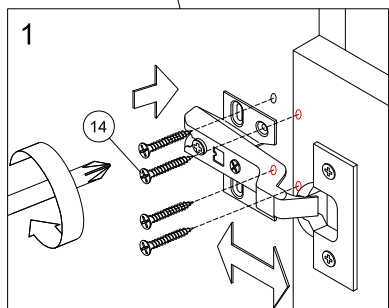
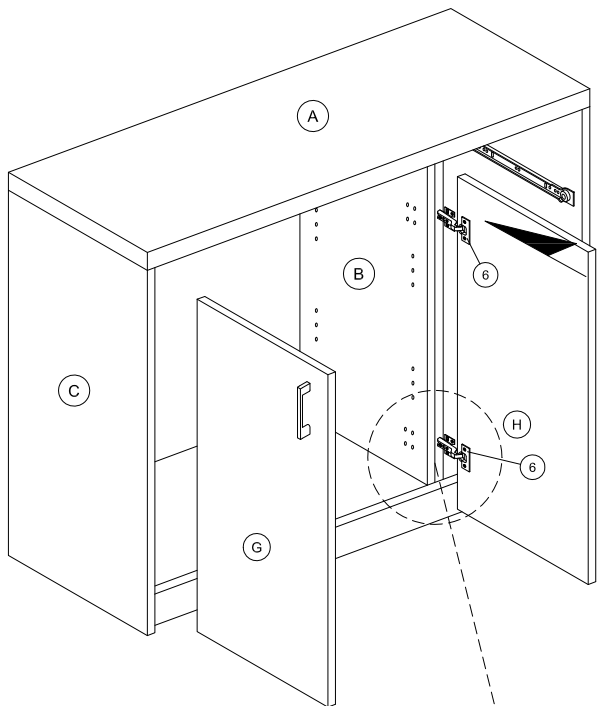


STEP 12

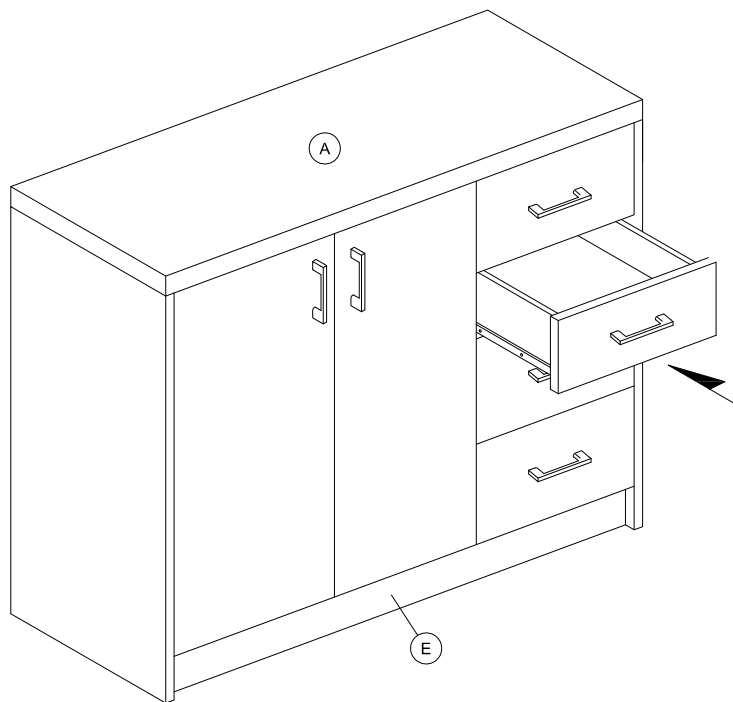


# ASSEMBLY INSTRUCTIONS

STEP 13



STEP 14



STEP 15

