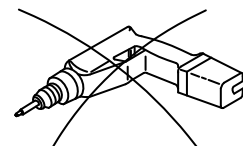
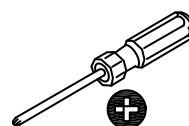
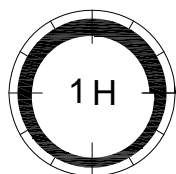
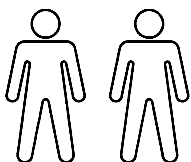
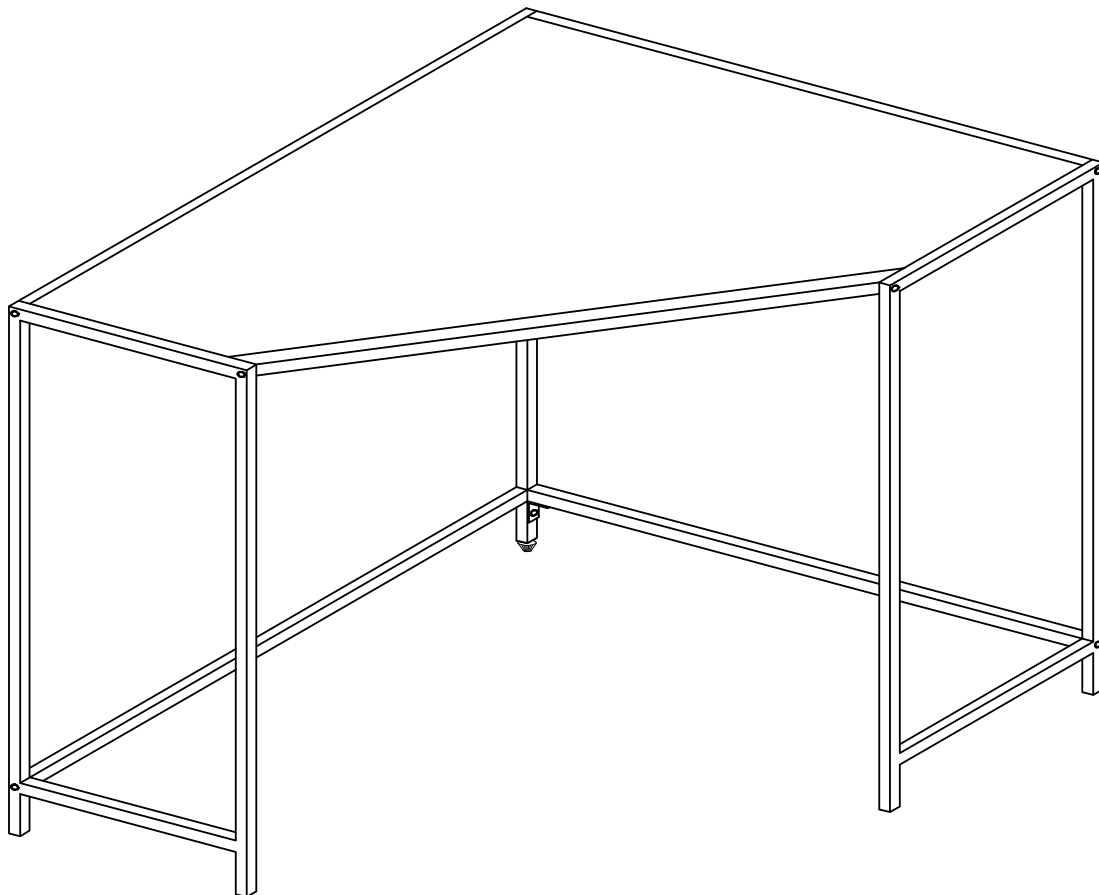
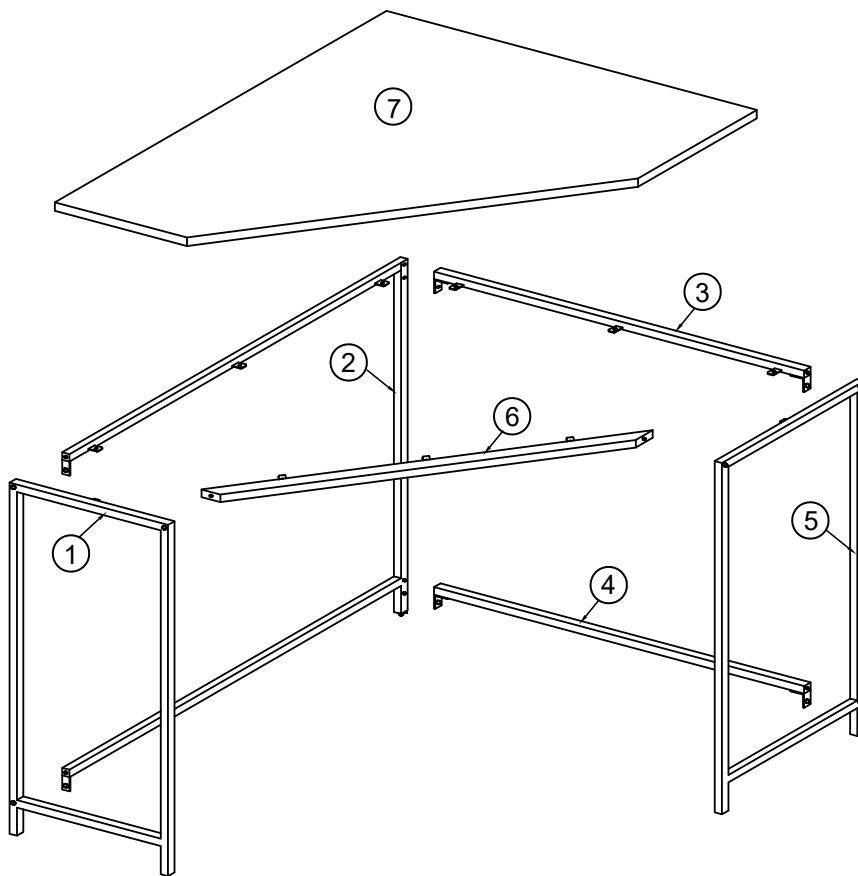
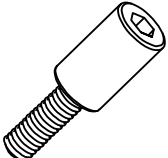


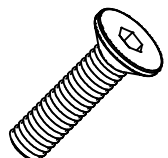




SEAFORD

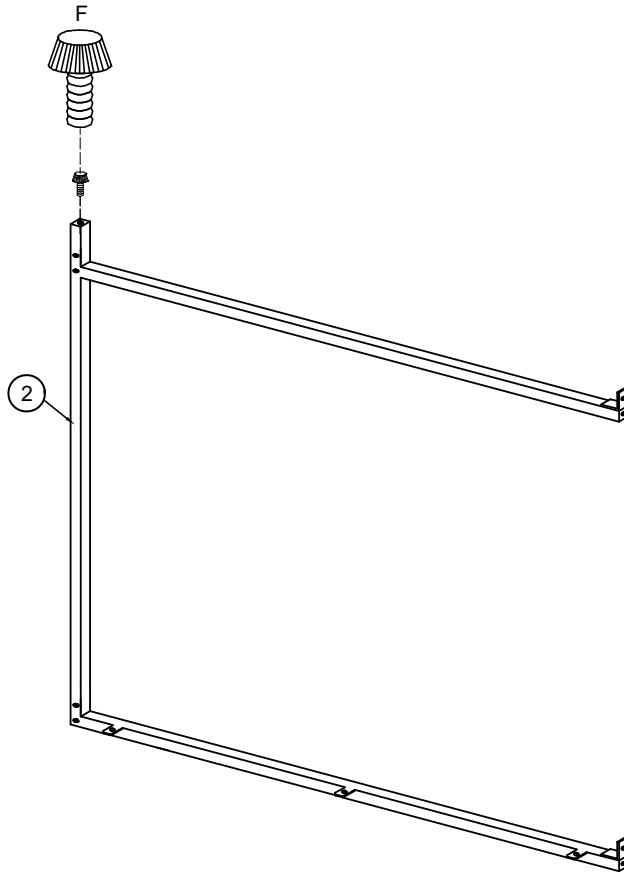
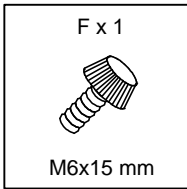


			✓
①	1	750x350x36/16mm	
②	1	834x741x36/16mm	
③	1	818x46x36mm	
④	1	818x46x16mm	
⑤	1	750x350x36/16mm	
⑥	1	717x36x16mm	
⑦	1	817x817x15mm	

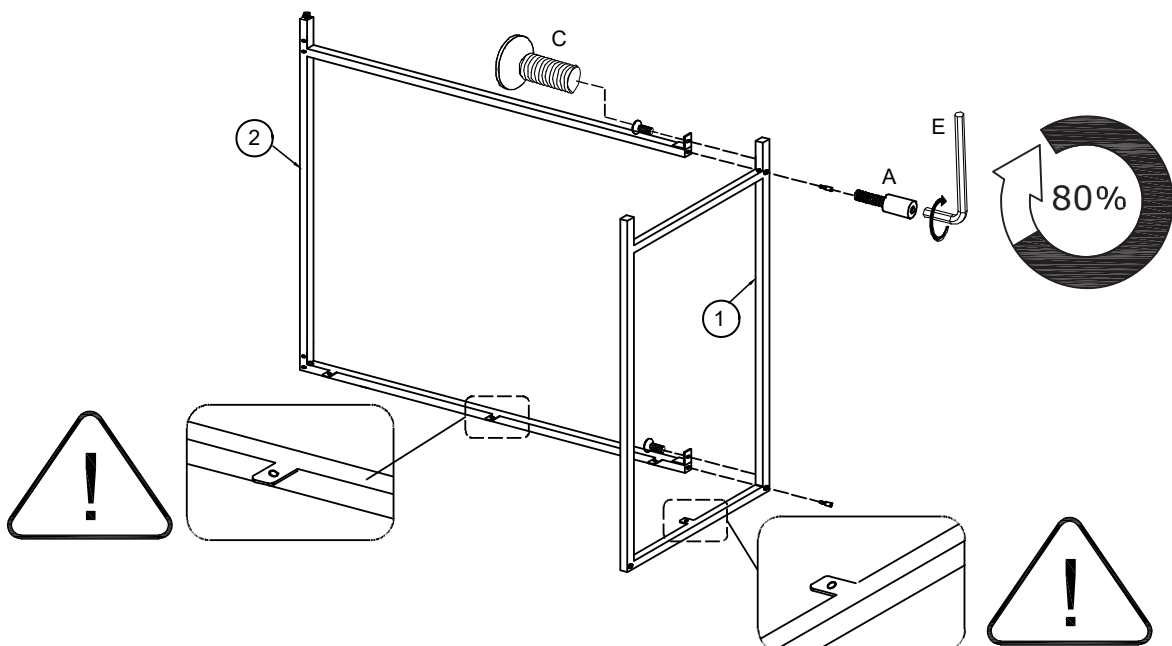
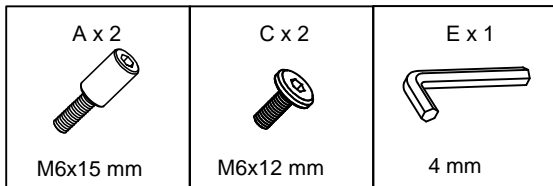


<p>A x 6</p>  <p>M6x15 mm</p>	<p>B x 11</p>  <p>Ø4x12 mm</p>	<p>C x 6</p>  <p>M6x12 mm</p>	<p>D x 2</p>  <p>M6x22 mm</p>	<p>E x 1</p>  <p>4 mm</p>
<p>F x 1</p>  <p>M6x15 mm</p>				




1

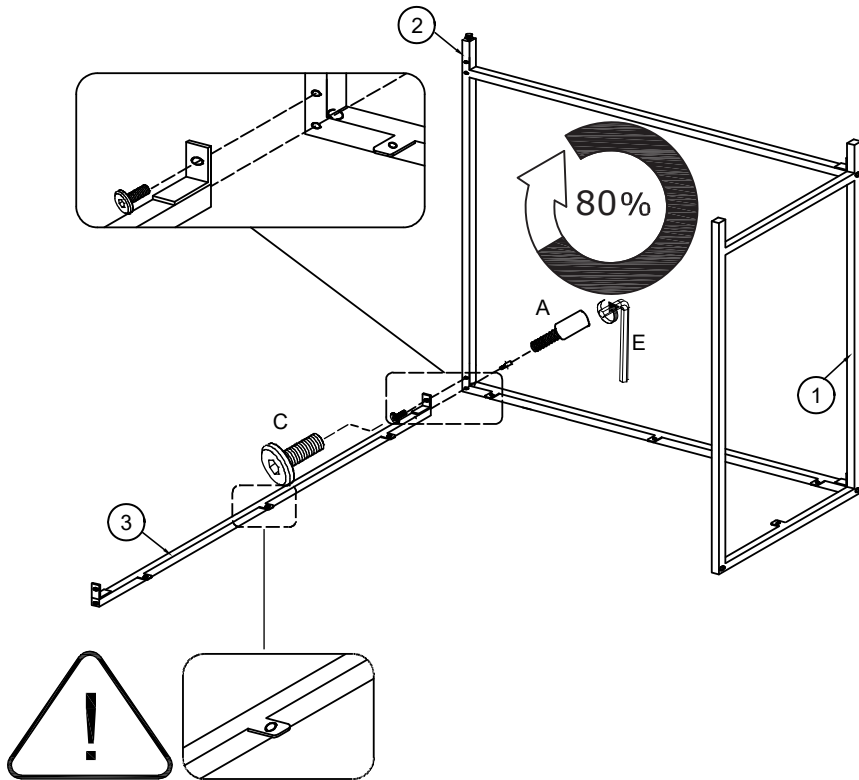


2






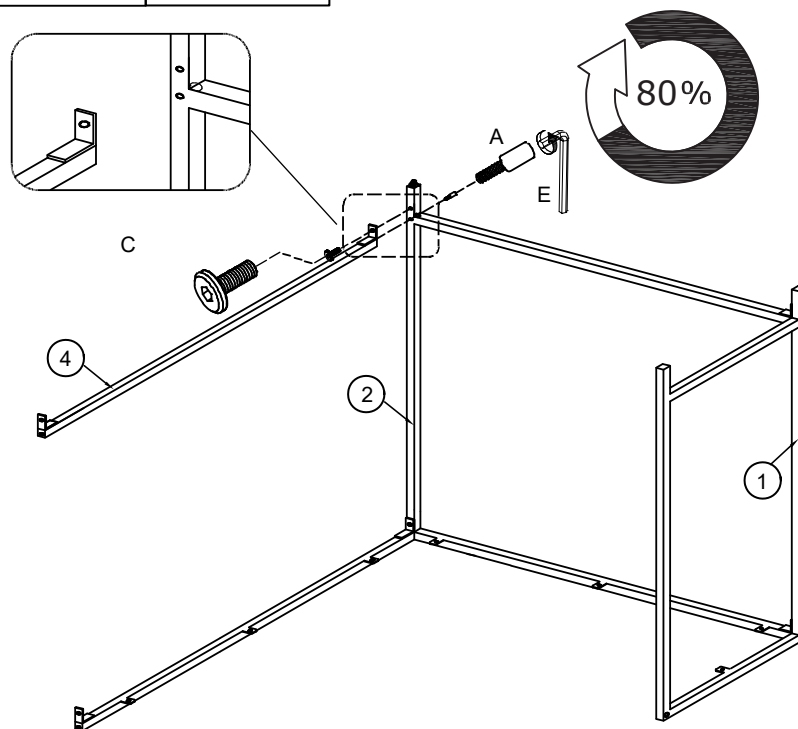
3

A x 1  M6x15 mm	C x 1  M6x12 mm	E x 1  4 mm
--	--	--






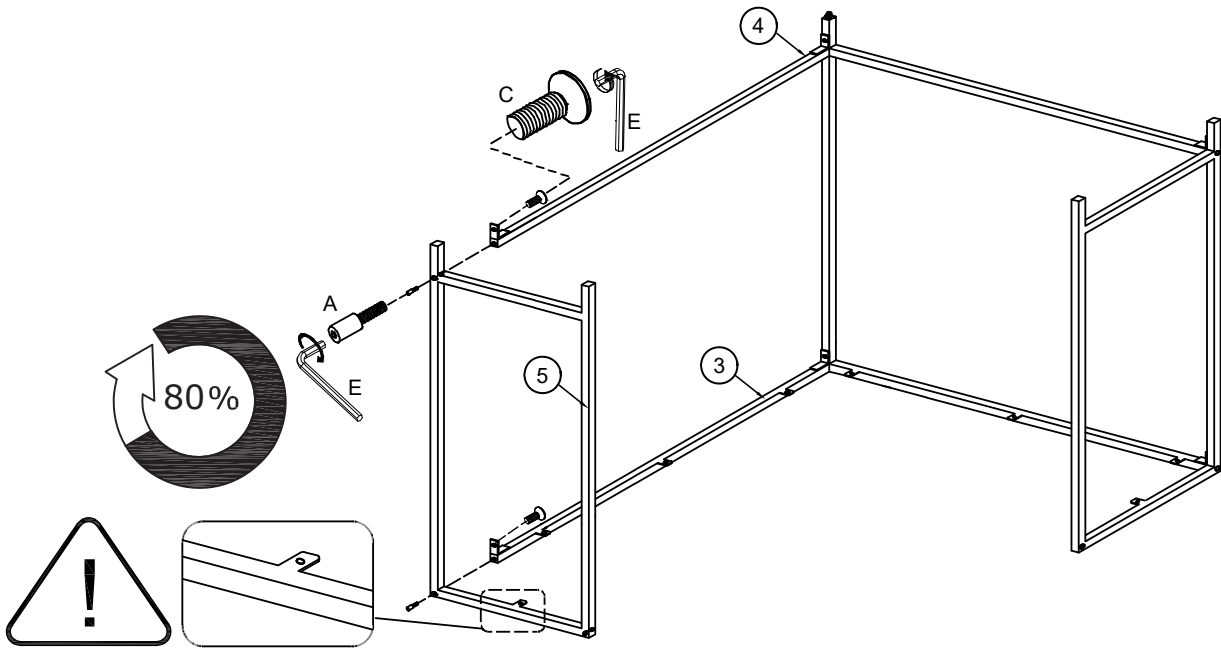
4

A x 1  M6x15 mm	C x 1  M6x12 mm	E x 1  4 mm
--	--	--





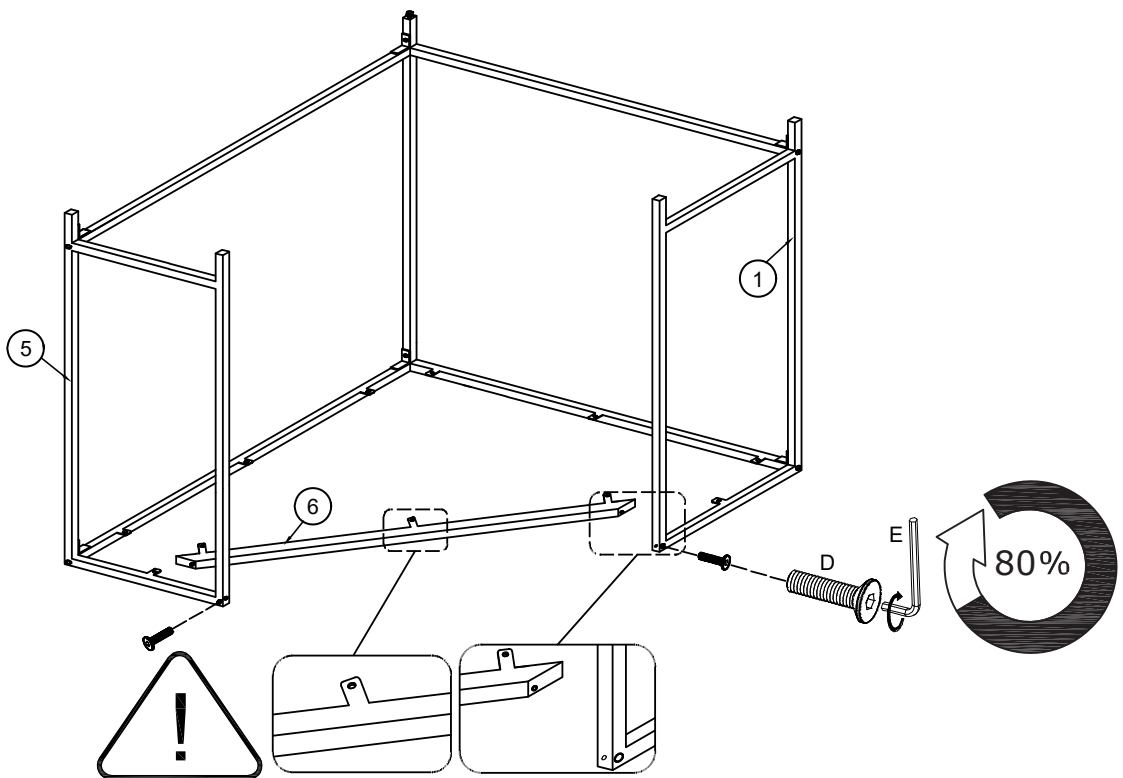
5

A x 2  M6x15 mm	C x 2  M6x12 mm	E x 1  4 mm
--	--	--


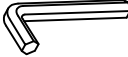


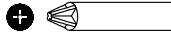
6

D x 2  M6x22 mm	E x 2  4 mm
--	--

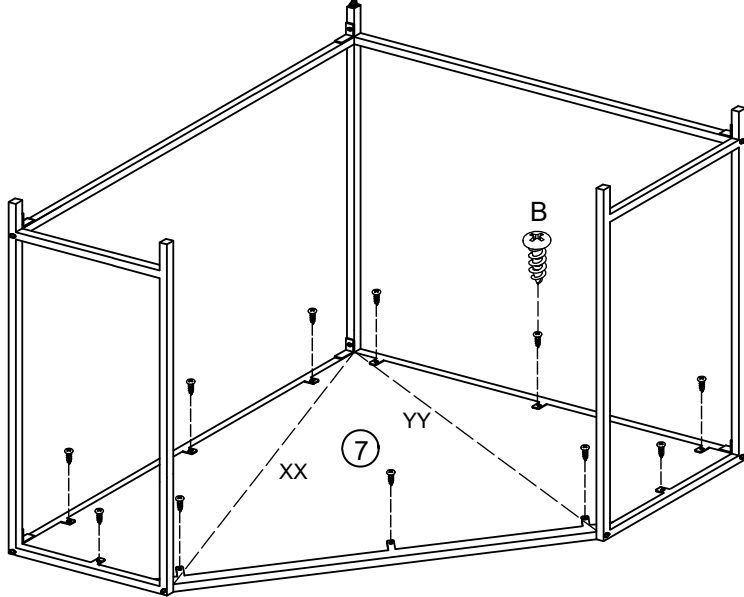


7

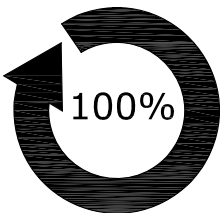
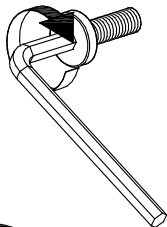
B x 11  Ø4x12 mm	E x 1  4 mm
---	--



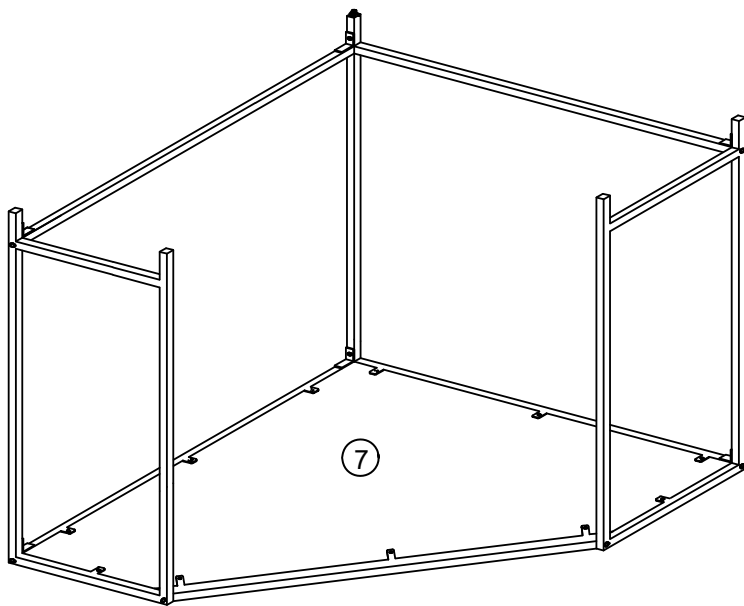
XX=YY



8



Ax6
Cx6
Dx2



9

