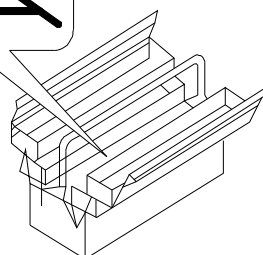
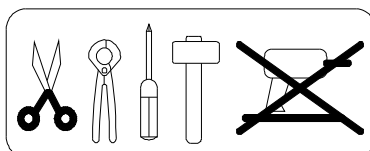
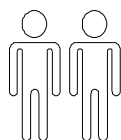
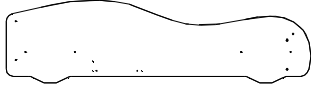
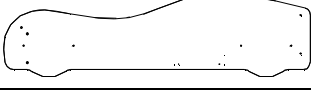
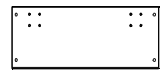
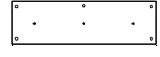

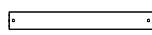
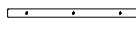

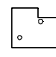
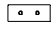
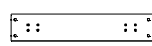

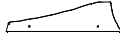

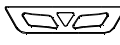

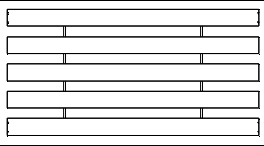


- | | |
|---------------------------------------|-----------------------------------|
| D Montageanleitung | GB Assembly instructions |
| NL Handleiding voor de montage | PL Instrukcja montazu |
| TR Montaj talimati | RU Инструкция по монтажу |
| FR Notice de montage | IT Istruzioni di montaggio |
| CS Montážní návod | SK Návod na montáž |
| HU Szerelési útmutató | RO Instrucțiuni de montaj |

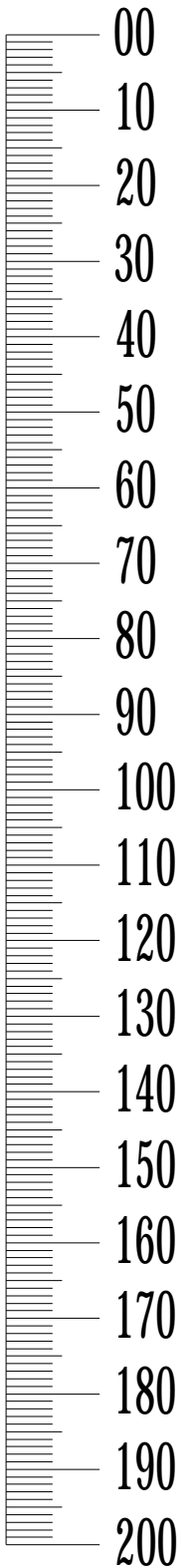


SCLM200

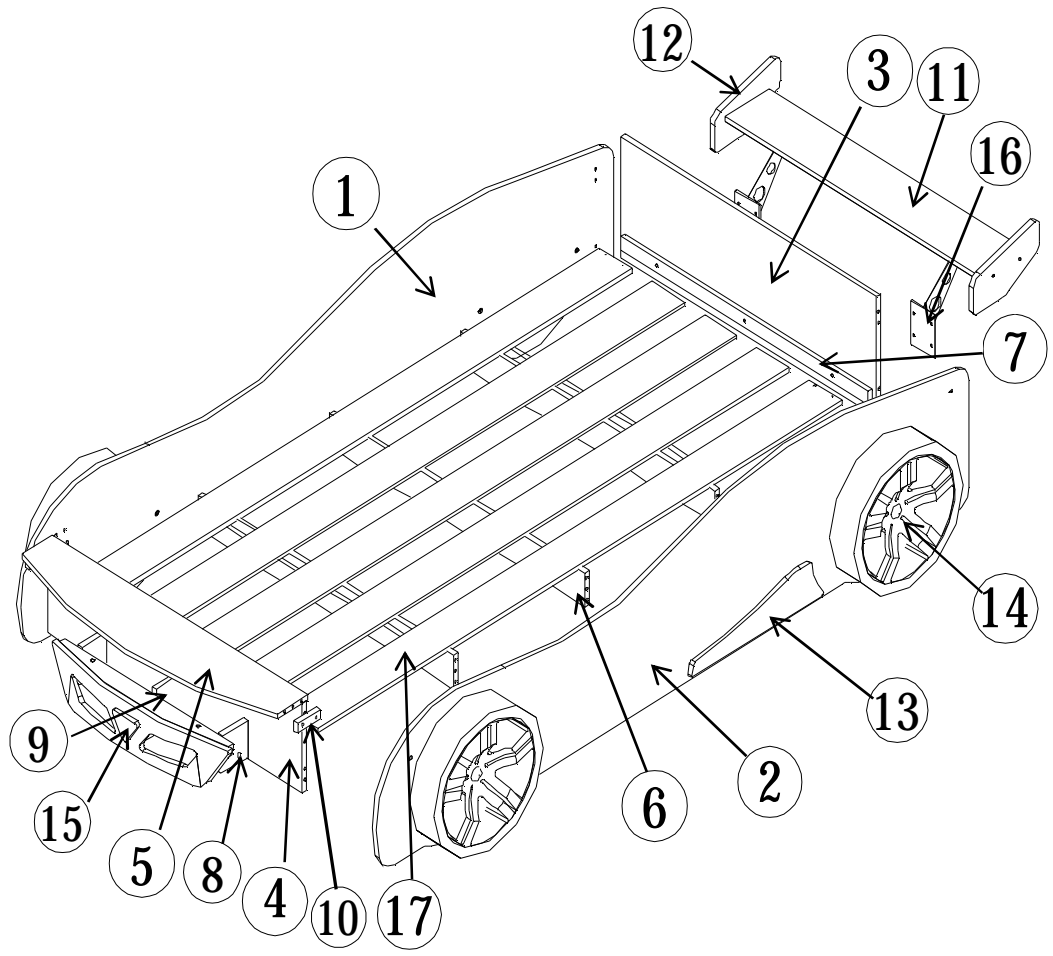
ITEM NO.	MEASUREMENT	QTY	SHAPE	CARTON NO.
①	2260 X 555 X 15	X1		1-6
②	2260 X 555 X 15	x1		1-6
③	930 X 350 X 15	x1		2-6
④	930 X 260 X 15	x1		2-6
⑤	930 X 198 X 15	x1		2-6
⑥	930 X 98 X 15	x3		2-6
⑦	900 X 40 X 15	x2		2-6
⑧	128 X 110 X 15	x2		2-6
⑨	148 X 130 X 15	x1		2-6
⑩	80 X 30 X 15	x2		2-6
⑪	930 X 160 X 15	x1		2-6
⑫	240 X 164 X 15	x2		2-6
⑬	480 X 118 X 12	x2		2-6
⑭	400 X 400 X 75	x4		3-6
⑮	640 X 80 X 140	x1		4-6
⑯	245 X 88 X 175	x2		5-6
⑰	2007 X 930 X 12	x1		6-6

2010x930

2 OF 8
Ver1.013



Service • Asistenza • Dienstverlening • Serwis Servis • Szerviz • Сервисная служба	
Name • Nom • Nome • Naam • Nazwa • Jméno • Názov • Név • Denumire • Isim • Название	
Nr. • No. • N° • Номер • Číslo • Sz	
Тур • Type • Típus • Tipus • Тіро • Тип	



- | | | | | | |
|----------------------------|-----------------------------|-----------------------------|------------------------------|------------------------------|-----------------------------|
| A

x13 | B

x10 | C
8x30

x29 | D
6x15

x4 | E
10x11

x14 | F
6x12

x16 |
| G
6x25

x8 | H
6x50

x14 | I
6x70

x8 | J
3.5x25

x4 | K
3.5x29

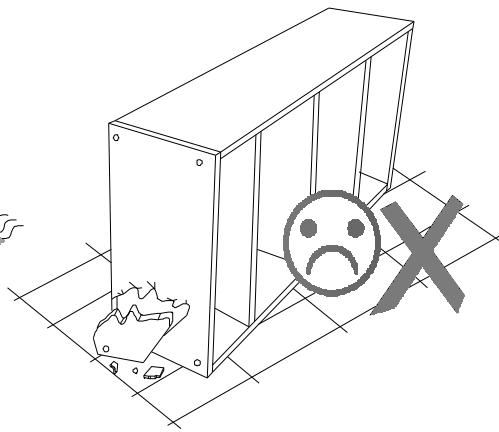
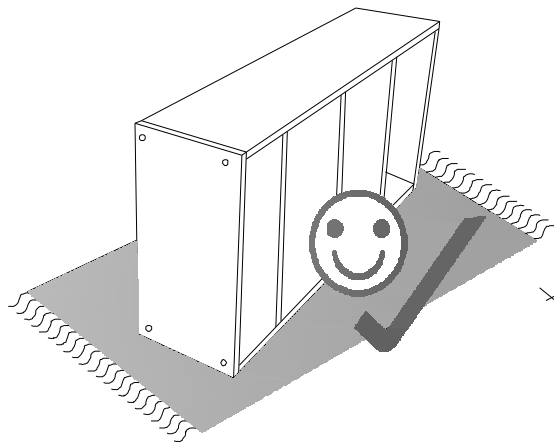
x8 | L
4x22

x6 |
| M
6


x32 | N


x4 | O


x3 | | | |




1


B  x10

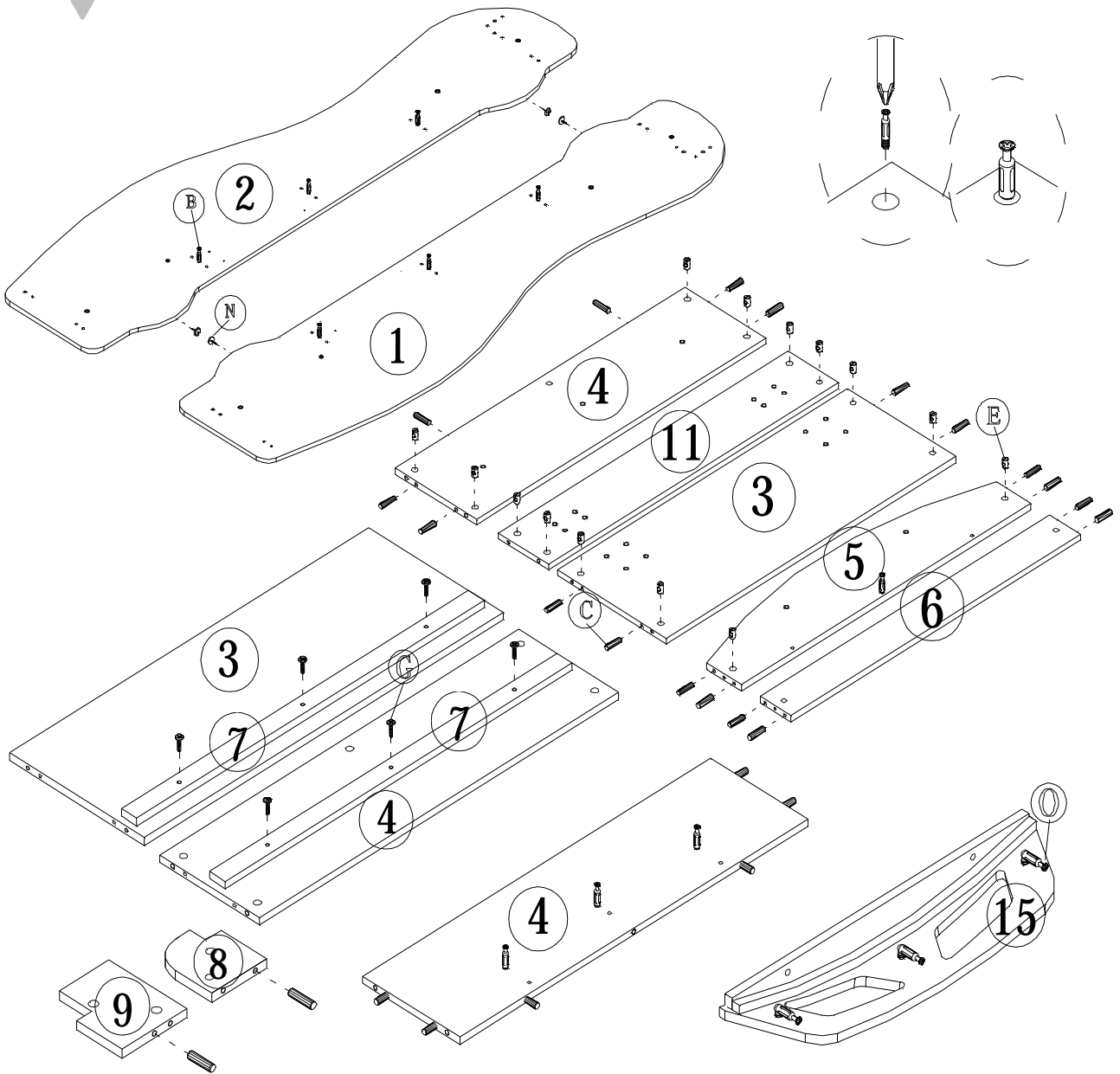
C  8x30 x29

E  10x11 x14

G  6x25 x6

N  x4

O  x3

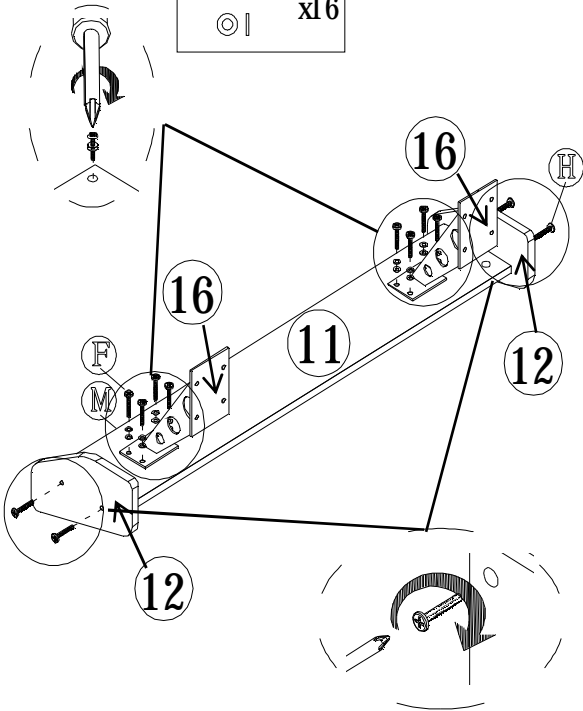


2

F 6x12 x8

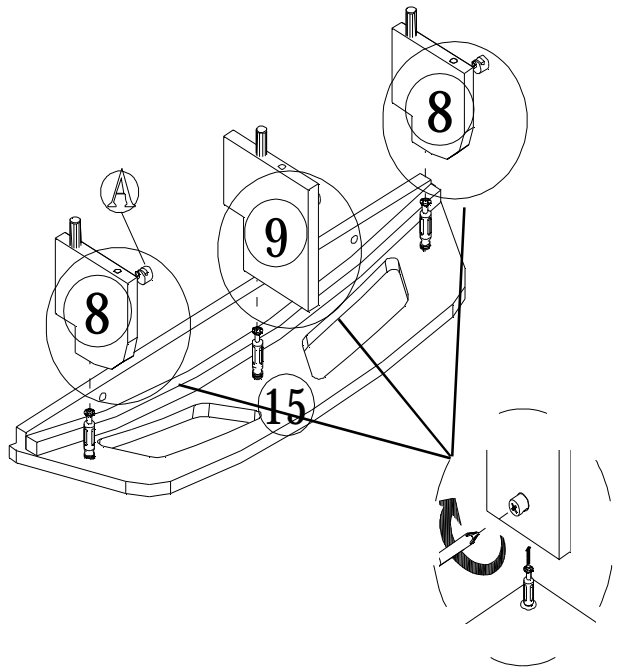
H 6x50 x4

M 6 x16



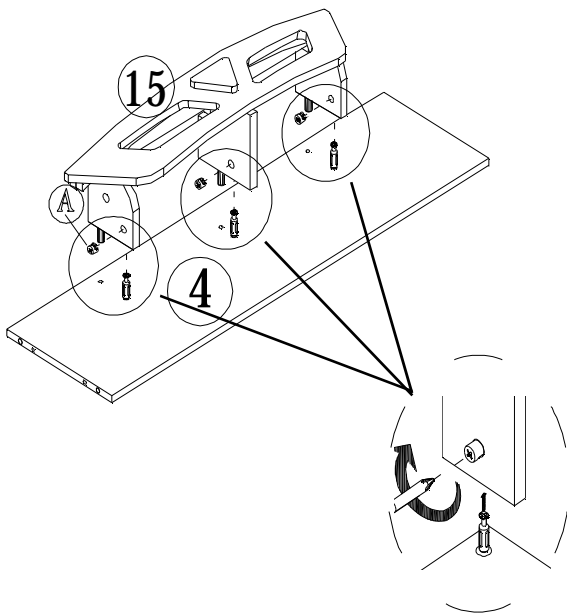
3

A x3



4

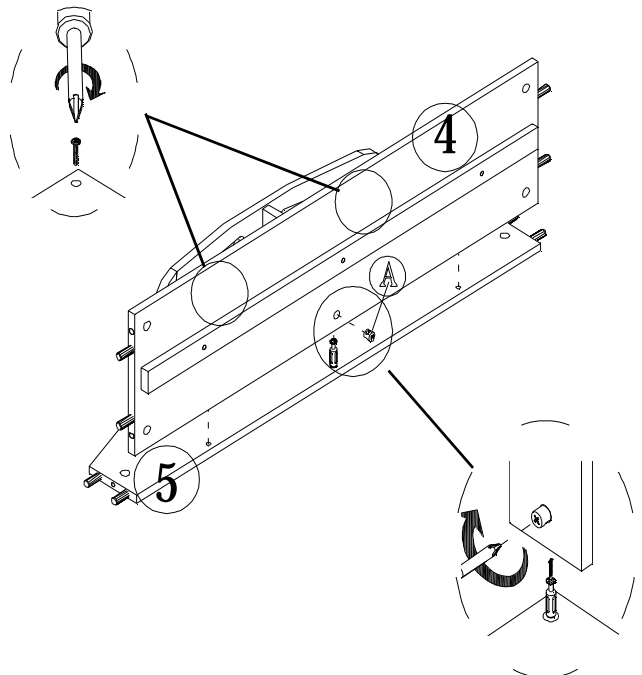
A x3



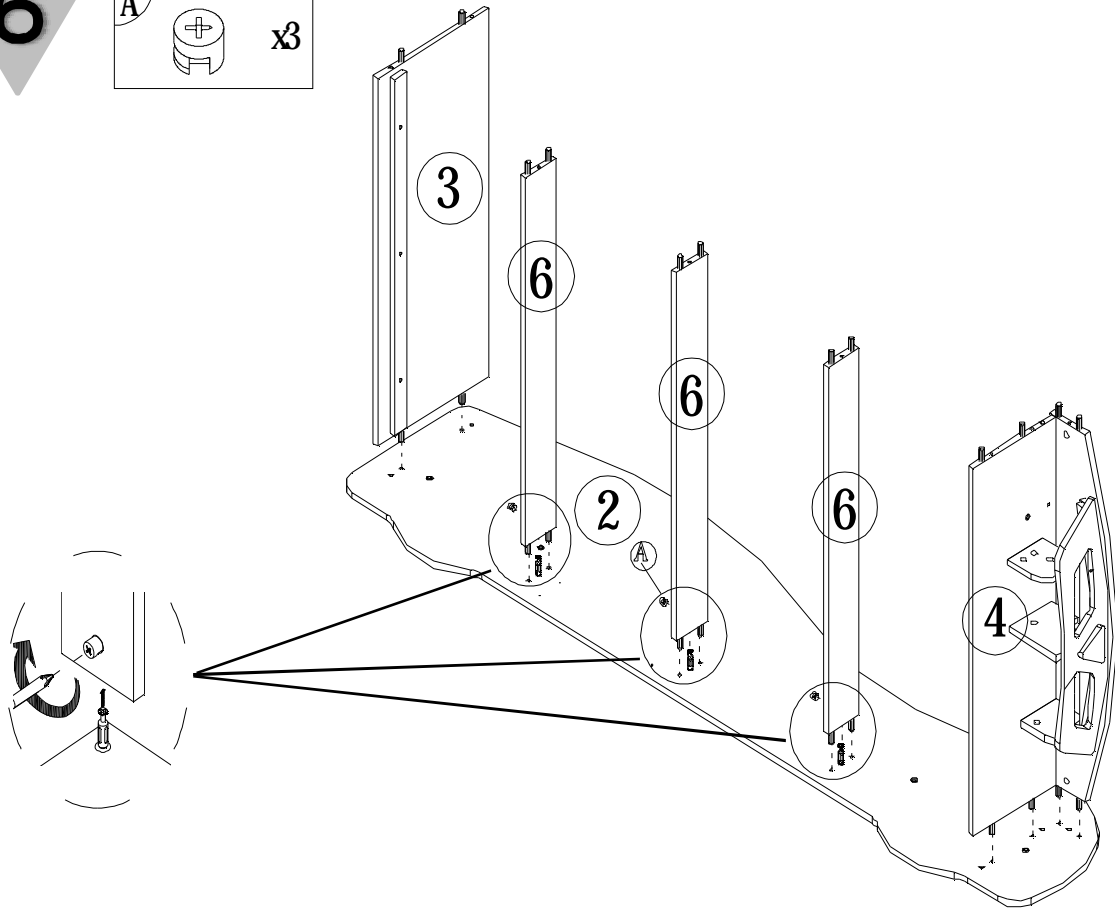
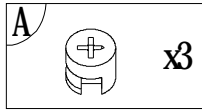
5

A x1

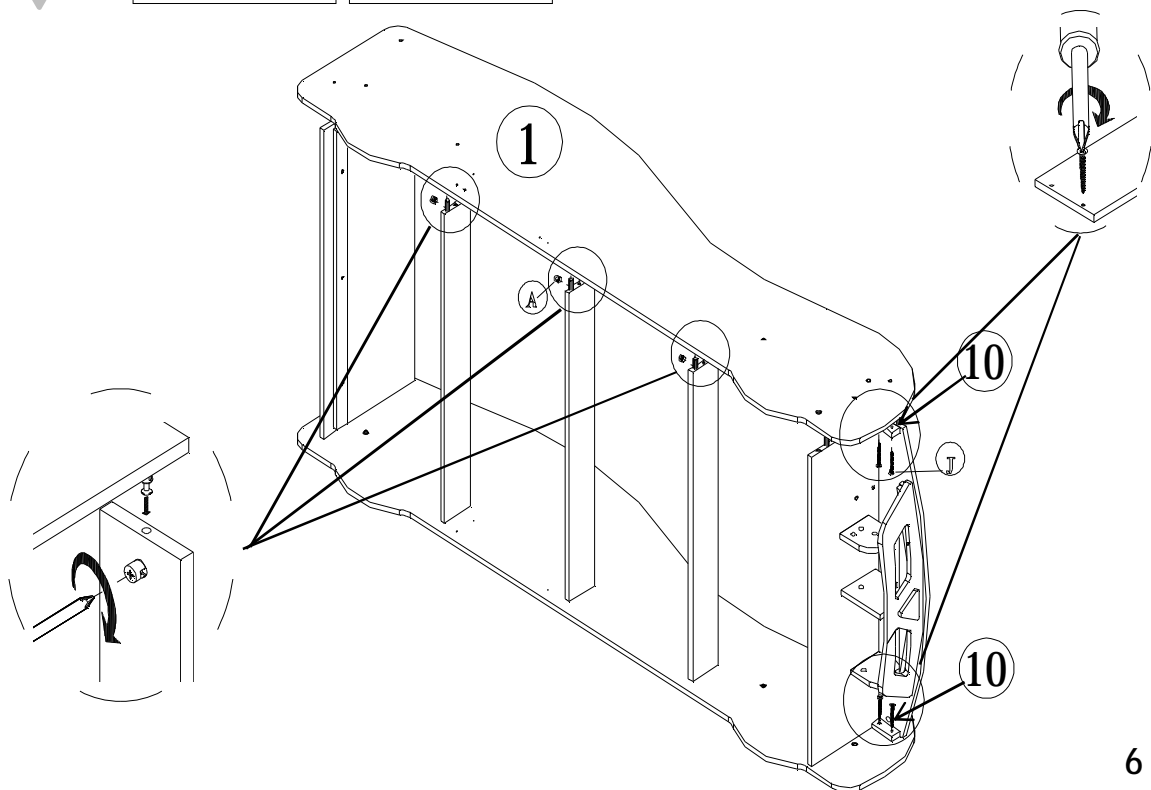
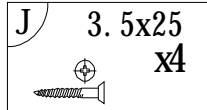
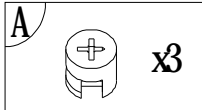
G 6x25 x2



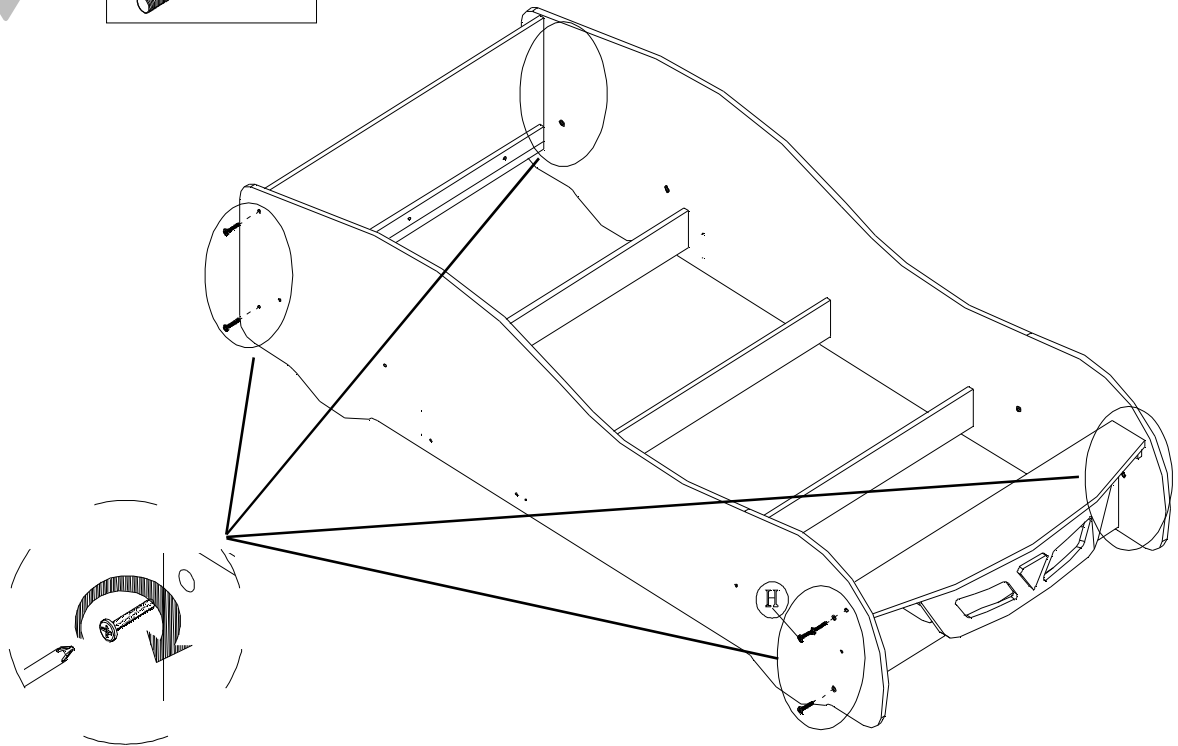
6



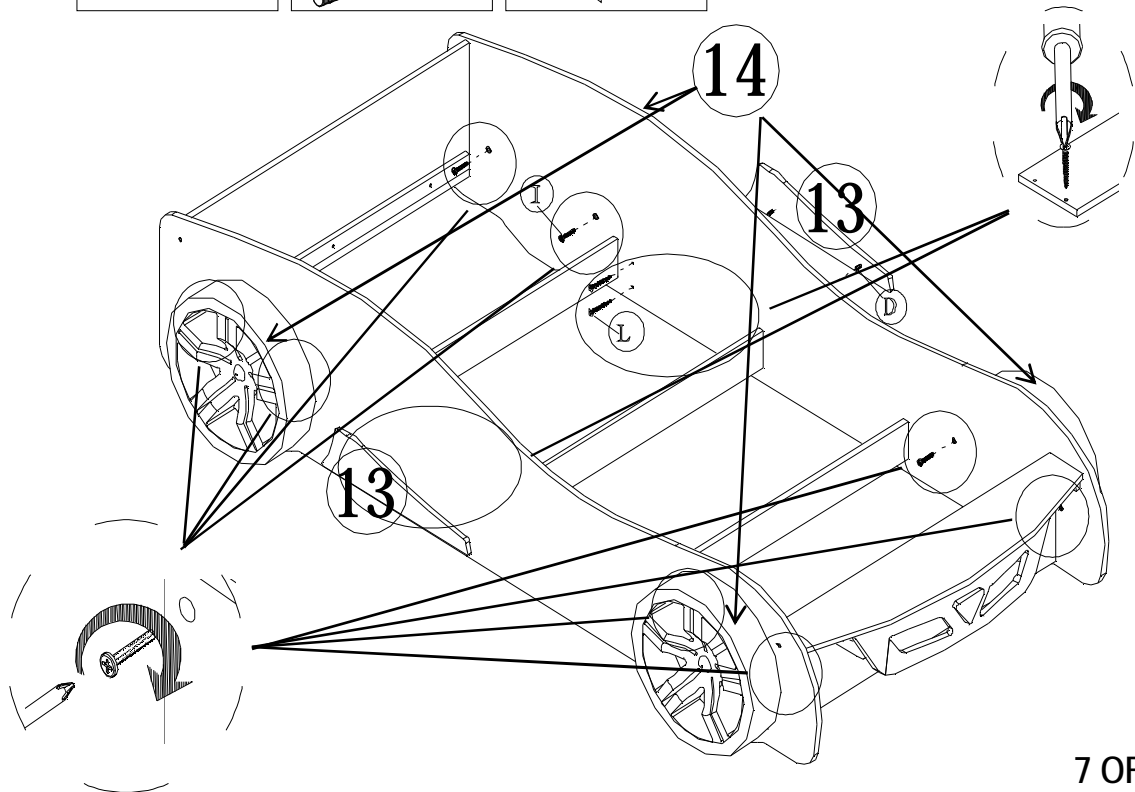
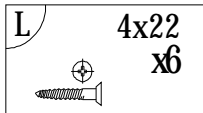
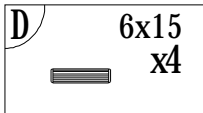
7



8



9

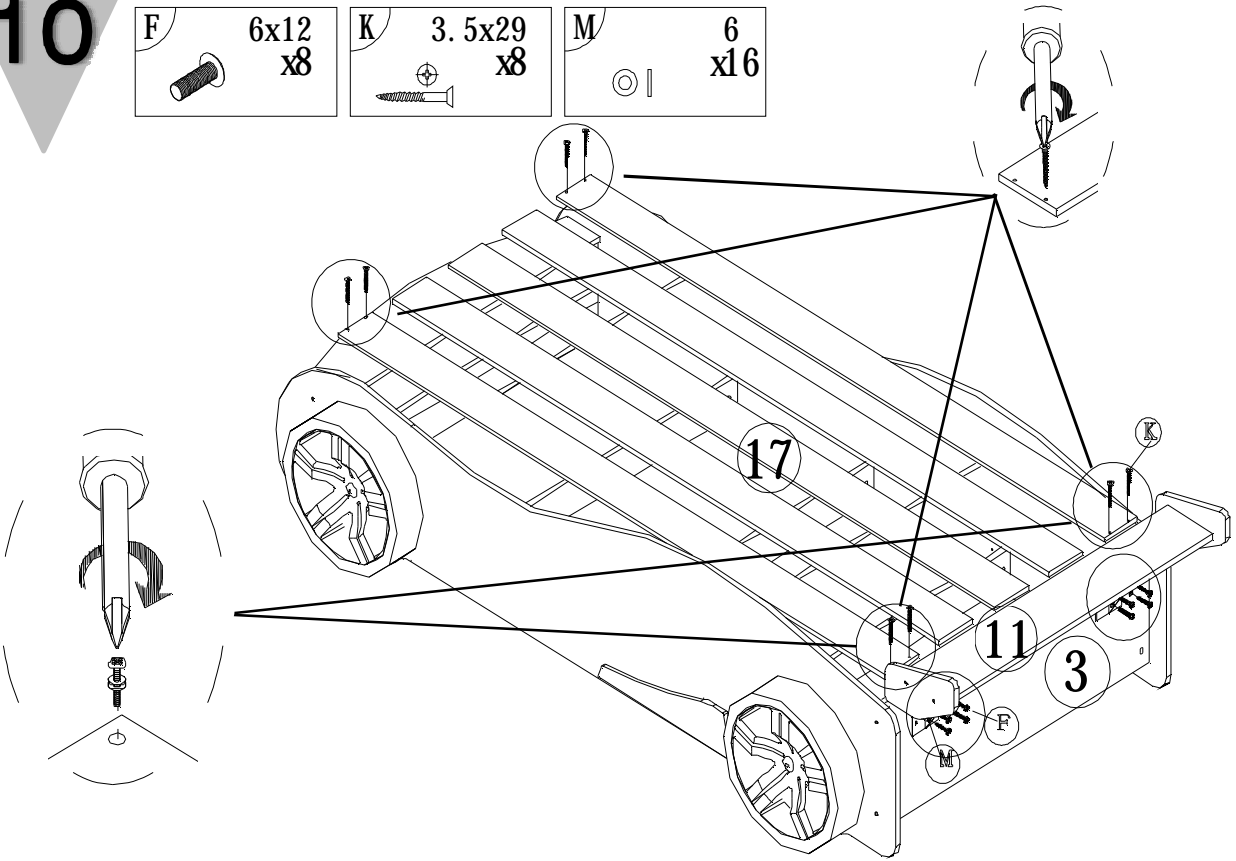


10

F 6x12
x8

K 3.5x29
x8

M 6
x16



11

