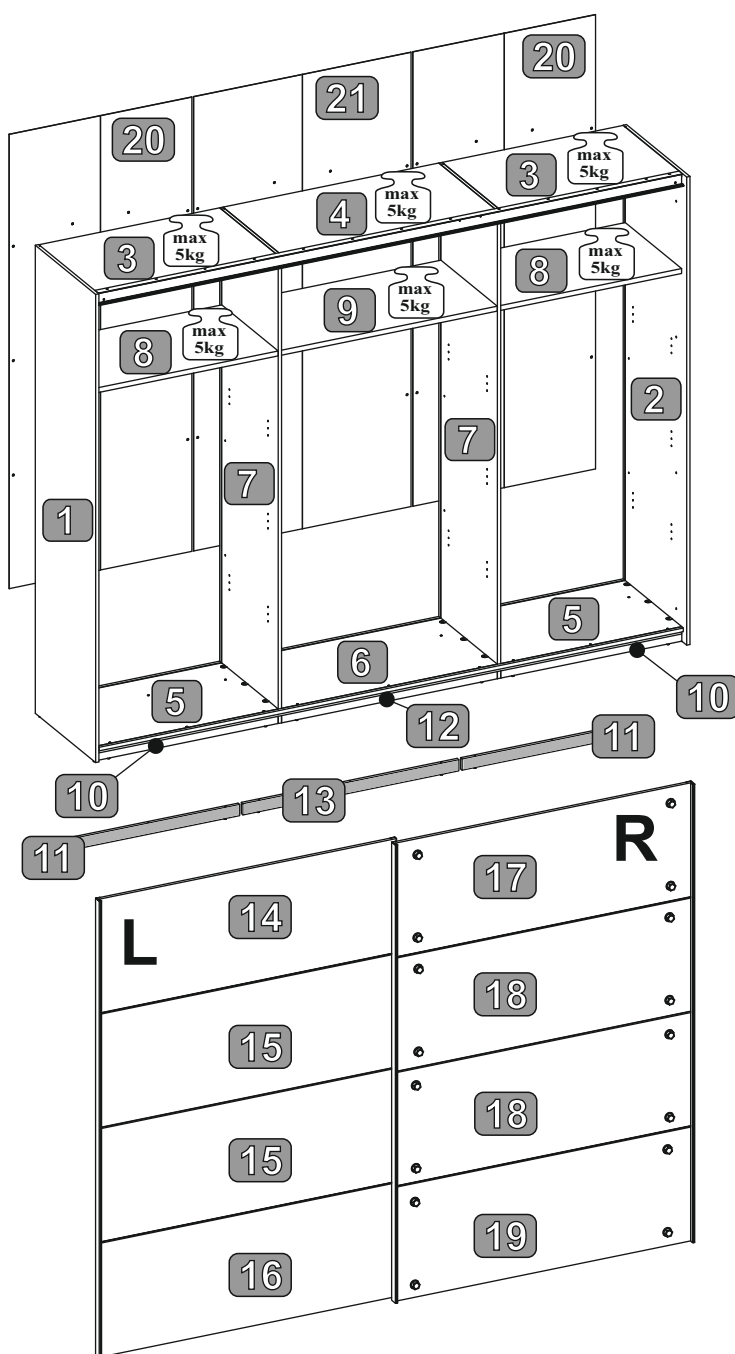
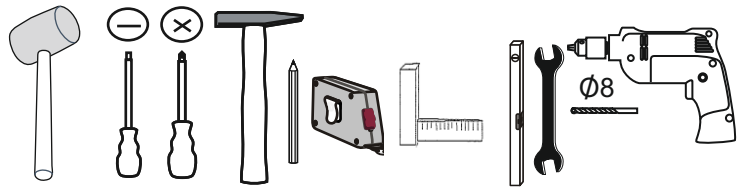
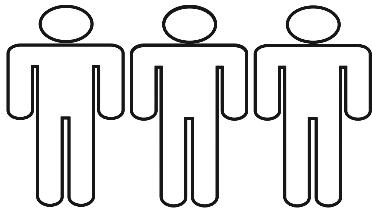


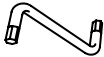


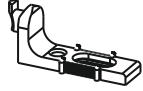





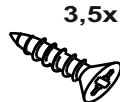


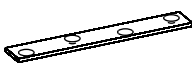
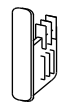
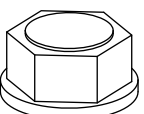
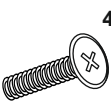
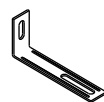




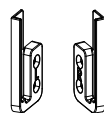
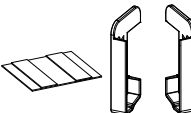
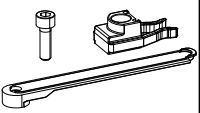
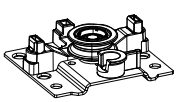
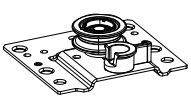
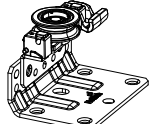
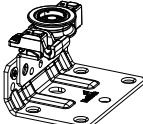
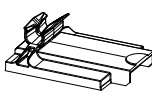
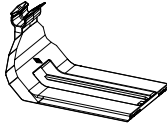



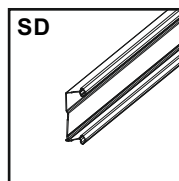
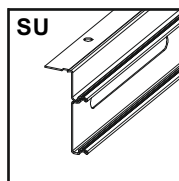
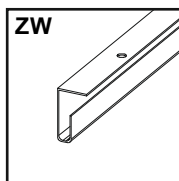
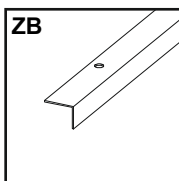
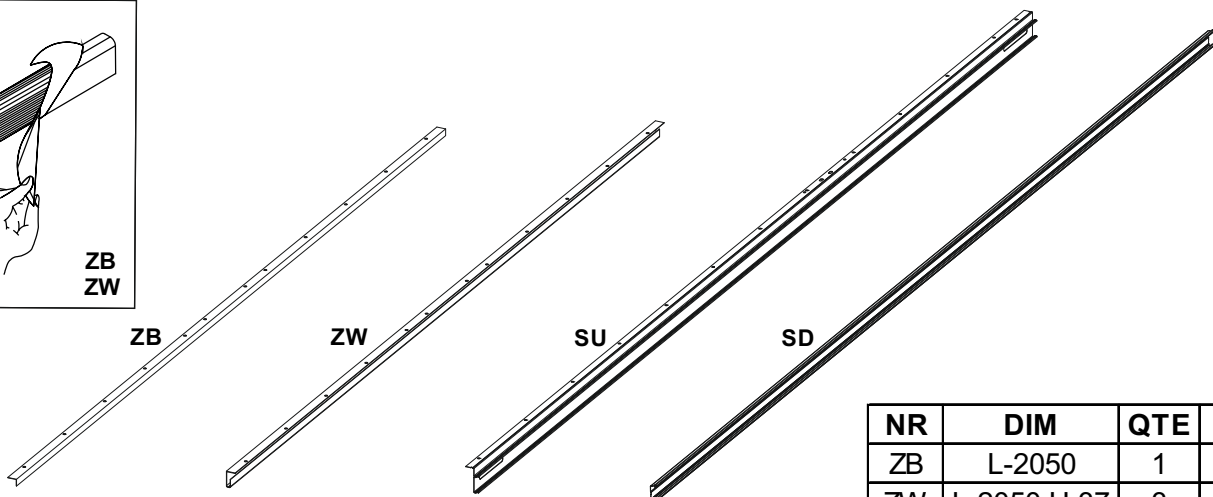
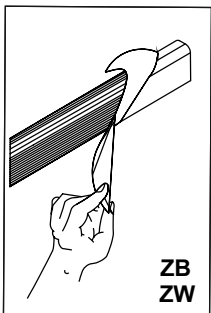
NR	DIM	QTE	COLLI
1	2095x551x15	1	3/7
2	2095x580x15	1	3/7
3	827x535x15	2	1/7
4	986x535x15	1	2/7
5	827x535x15	2	1/7
6	986x535x15	1	2/7
7	2094x535x15	2	4/7
8	827x515x22	2	1/7
9	986x515x22	1	2/7
10	827x50x15	2	2/7
11	827x50x15	2	2/7

NR	DIM	QTE	COLLI
12	986x50x15	1	2/7
13	986x50x15	1	2/7
14	1365x512,5x15	1	5/7
15	1365x512,5x15	2	5/7
16	1365x512,5x15	1	5/7
17	1365x512,5x15	1	6/7
18	1365x512,5x15	2	6/7
19	1365x512,5x15	1	6/7
20	2033x834x2	2	4/7
21	2033x993x2	1	3/7



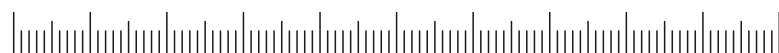


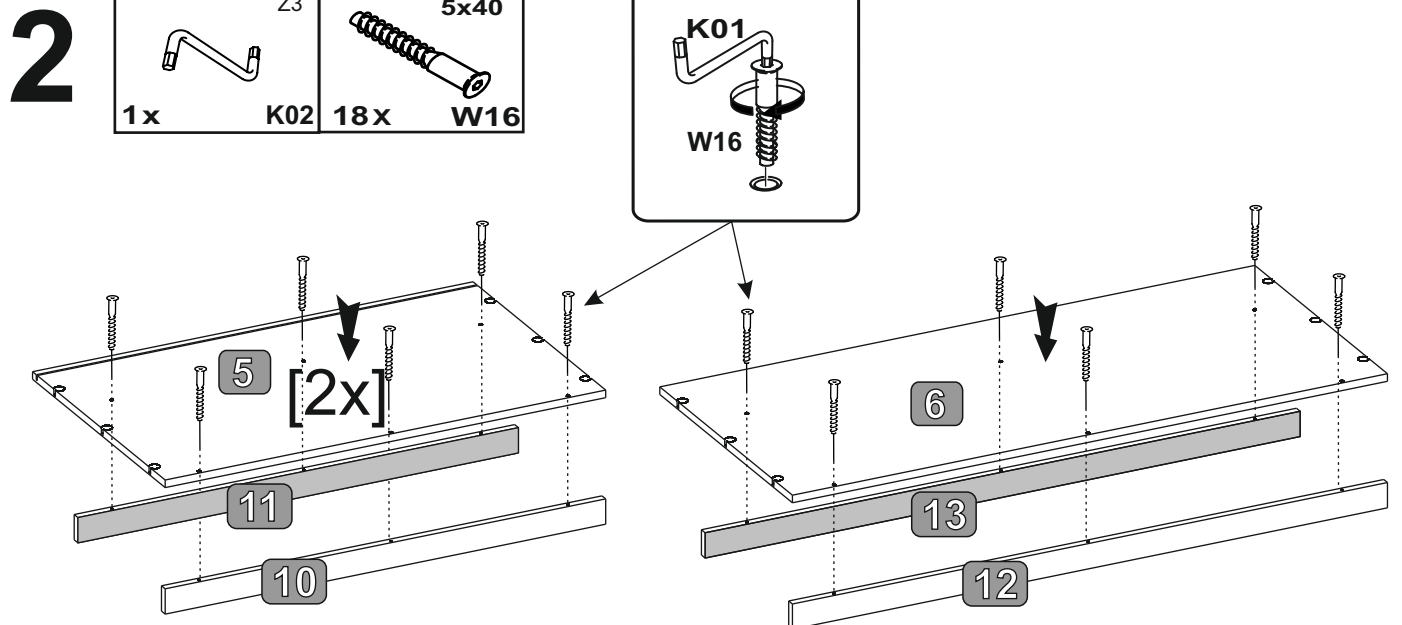
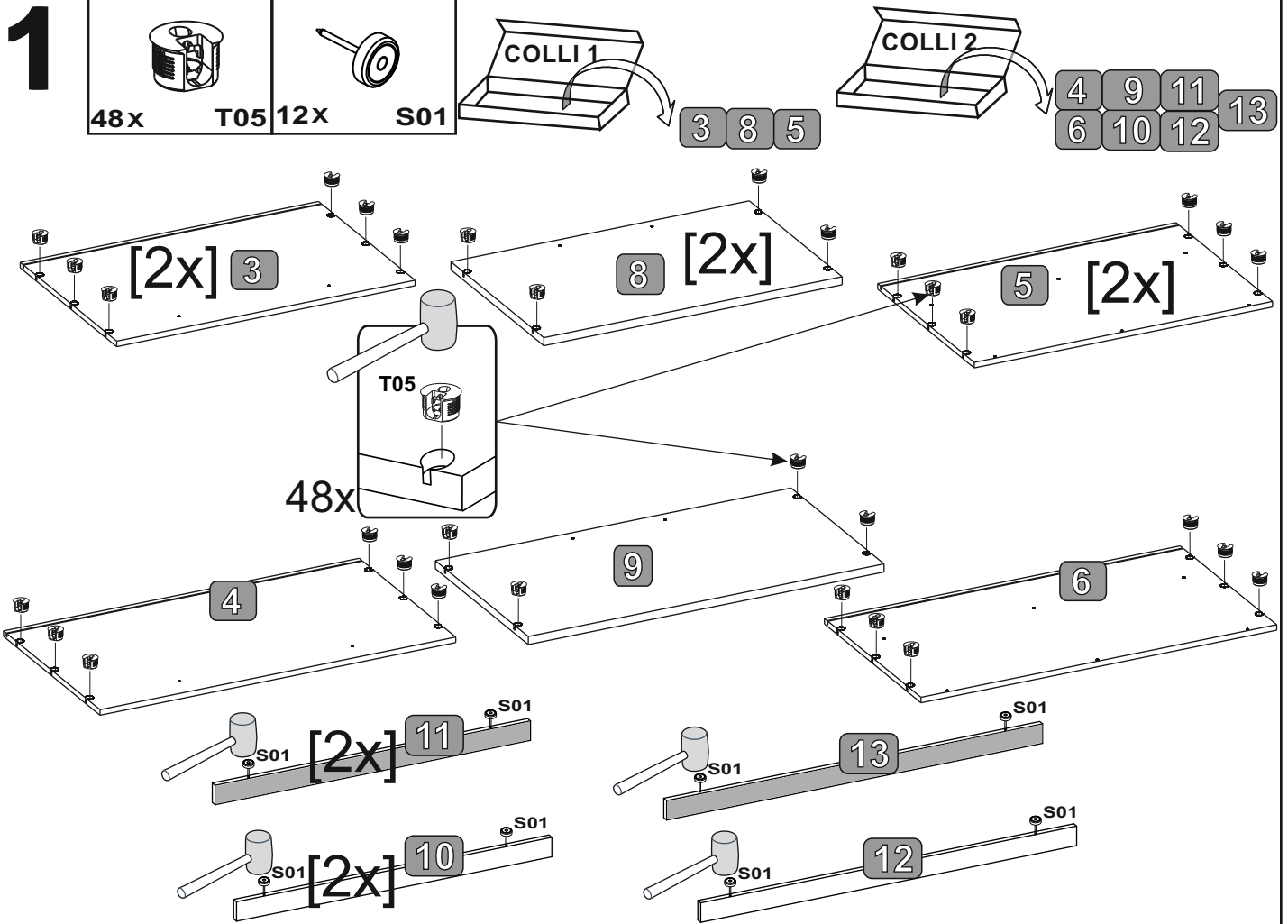
 48x T05	 48x T04	 1x K02	 18x W16	 18x C02	 24x R02	 24x W20
 20x S01	 6x E03	 1x J01	 2x J02	 194x W02	 24x W12	 13x W05
 24x W08	 6x ZA2	 16x APS	 16x Y03	 2x P01	 4x W07	 2x F01
 2x F11	 1x K03	 1x A08  1x A09  2x A10				
 1x A01	 1x A02	 1x A03	 1x A04	 2x A05	 2x A06	 4x A07



NR	DIM	QTE	COLLI
ZB	L-2050	1	7/7
ZW	L-2050 H-37	3	7/7
SU	L-2668	1	7/7
SD	L-2664	1	7/7

0 10 20 30 40 50 60 70 80 90 100





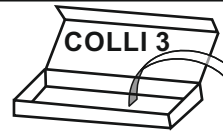


### 3

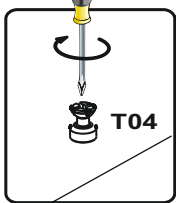
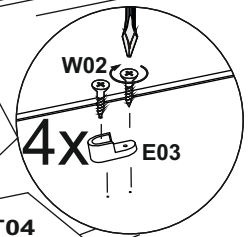
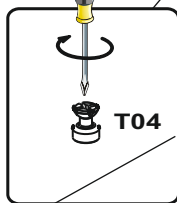
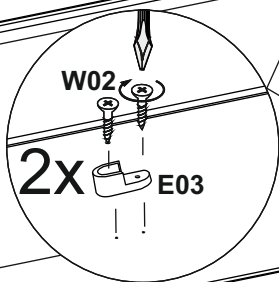
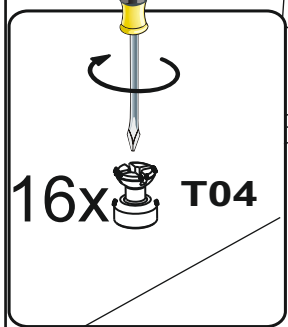
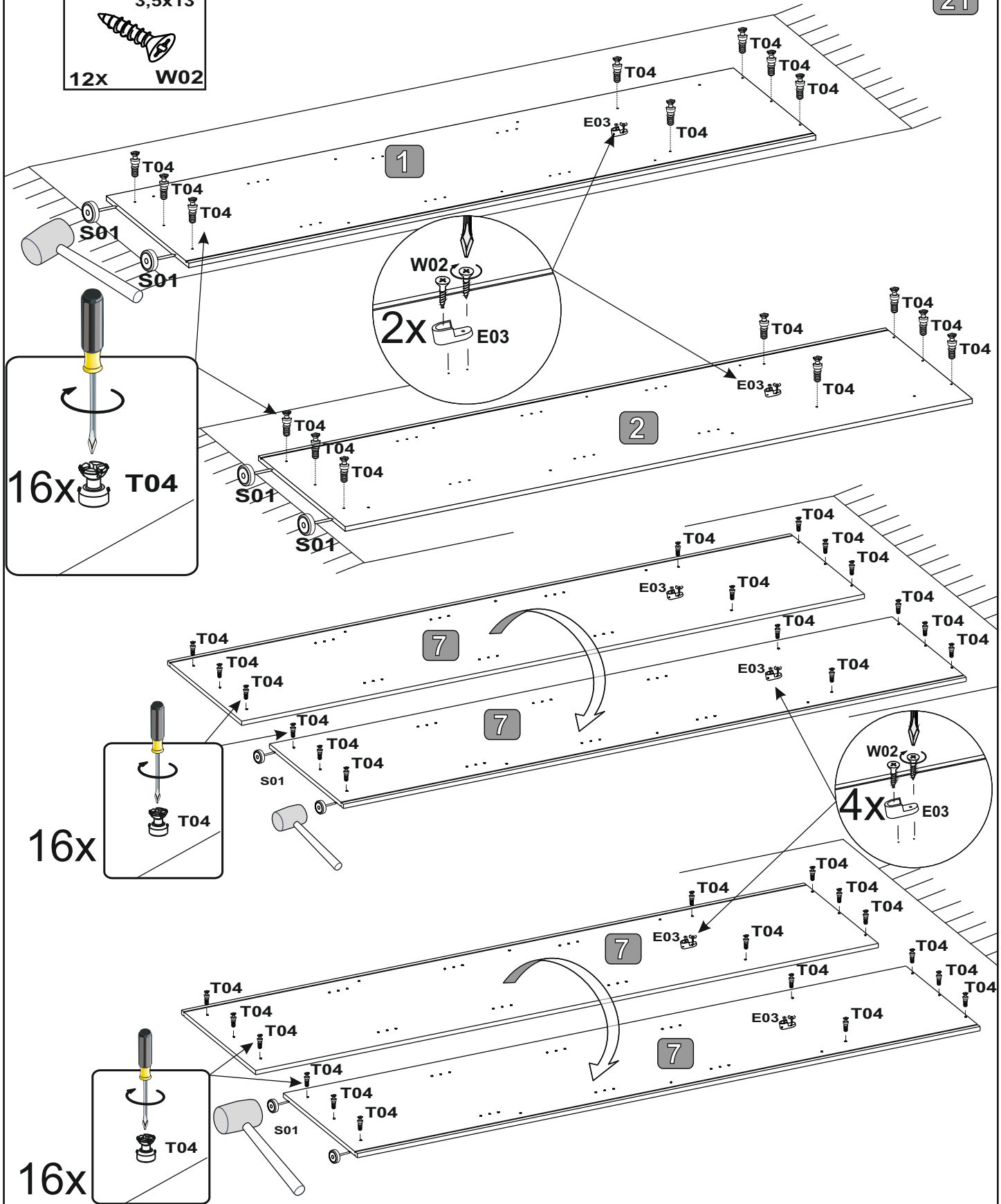
6x	E03	48x	T04	8x	S01
3,5x13					
12x	W02				



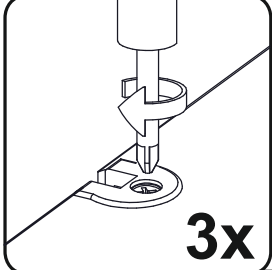
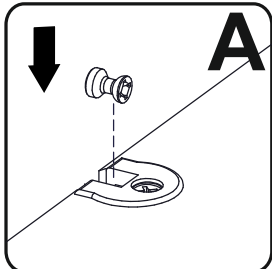
7 8  
20



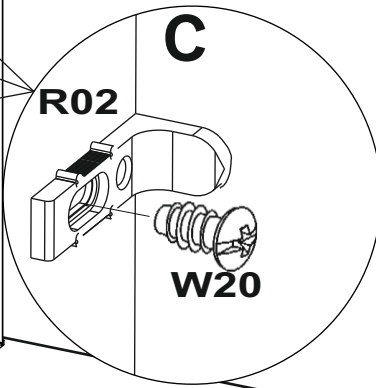
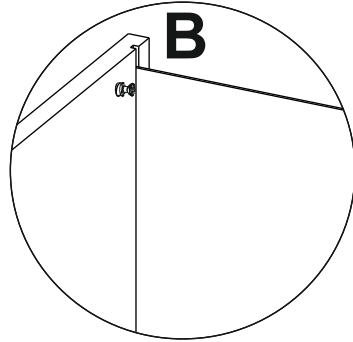
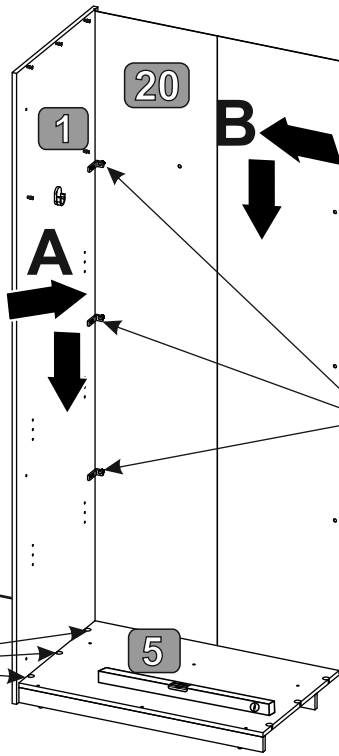
1 2  
21



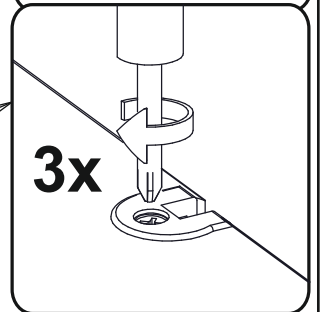
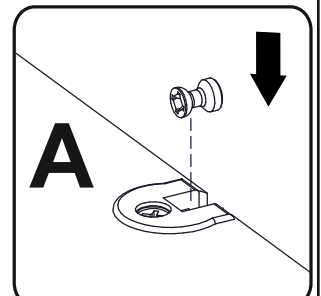
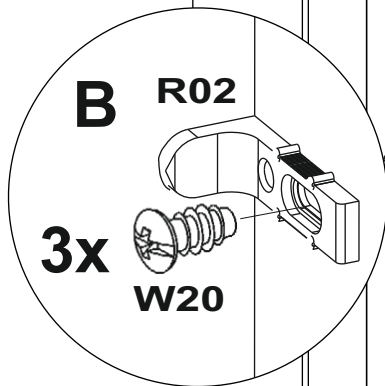
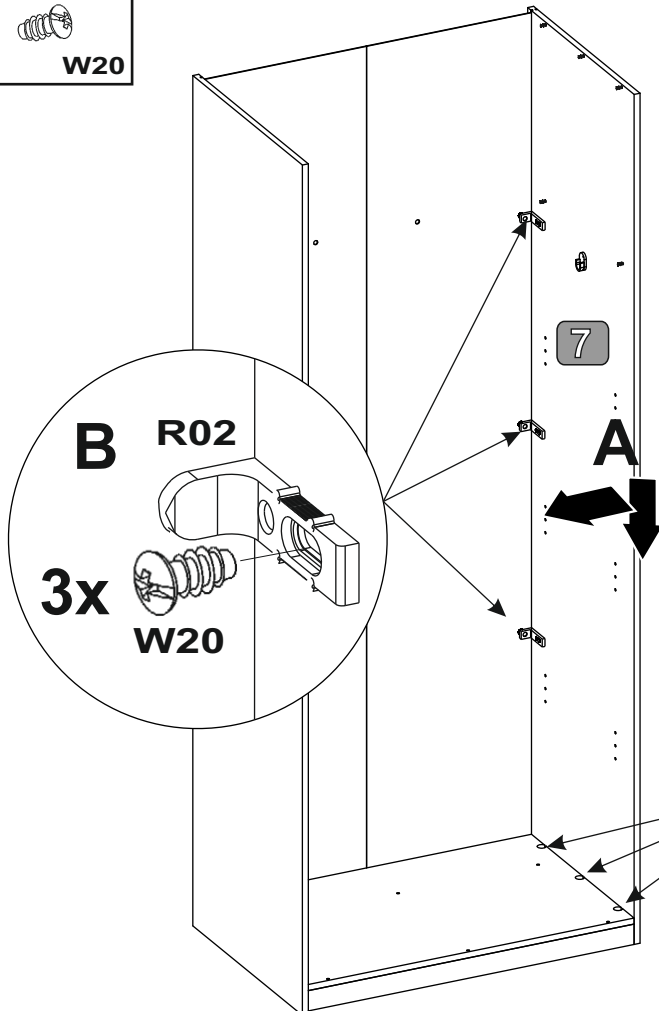
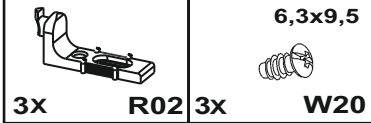
## 4



3x

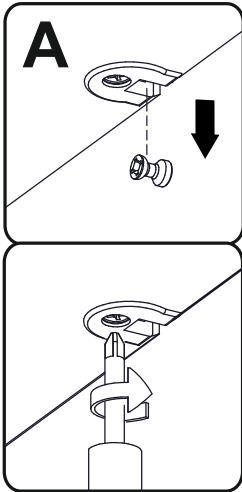


## 5

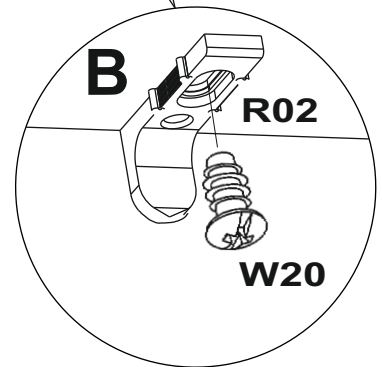
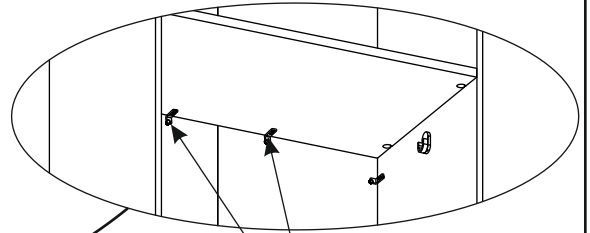
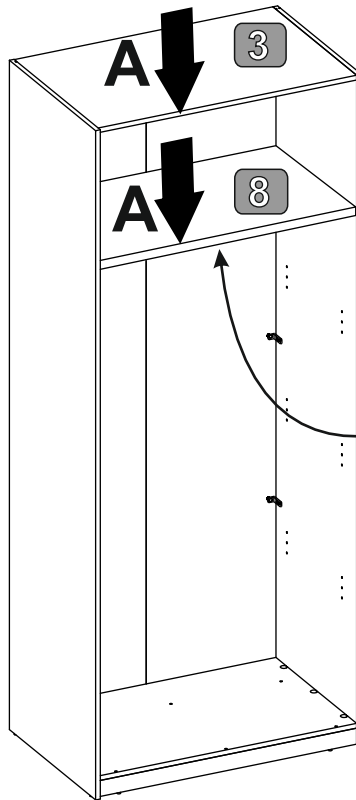


3x

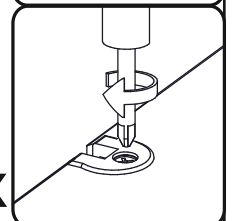
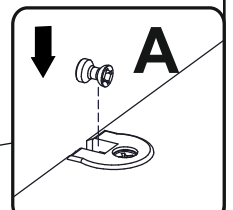
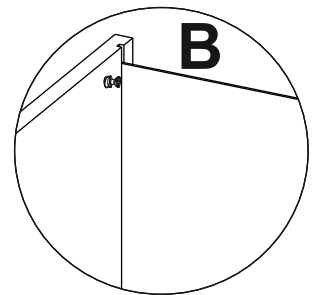
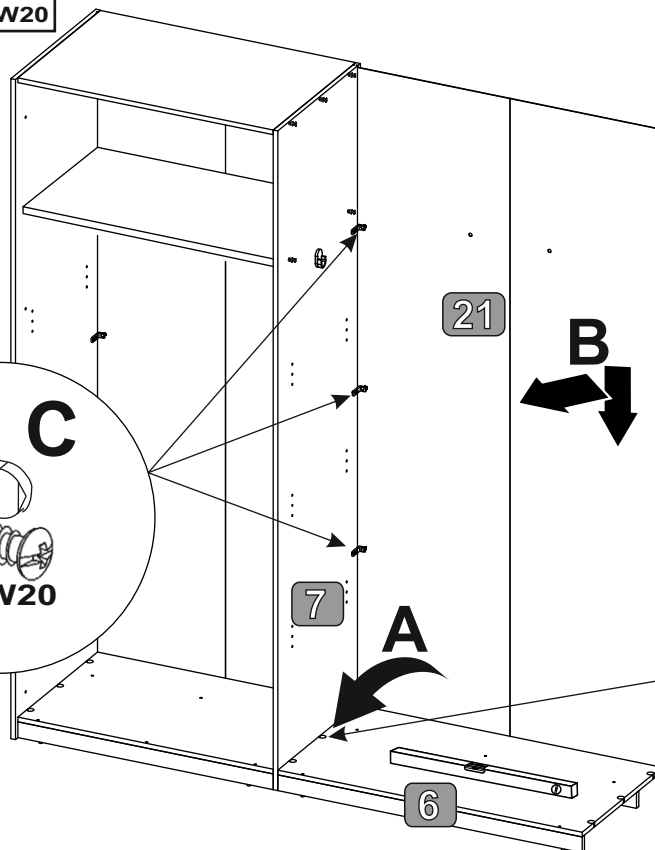
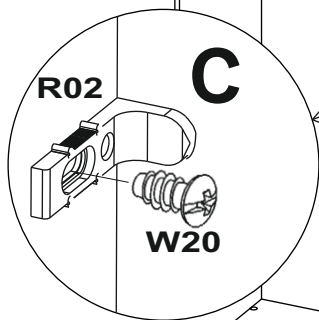
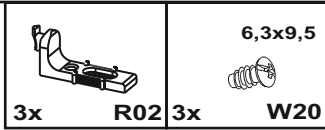
## 6



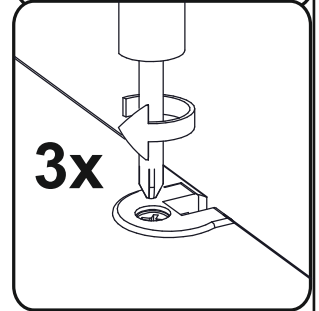
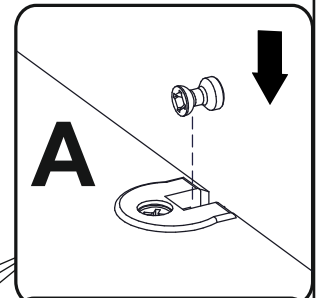
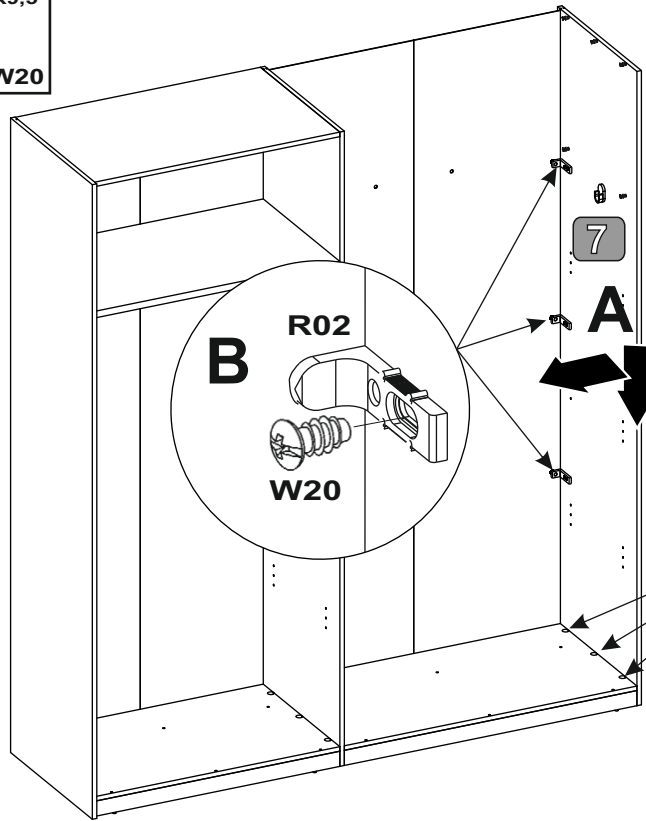
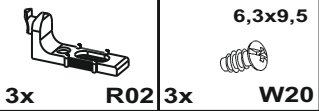
10x



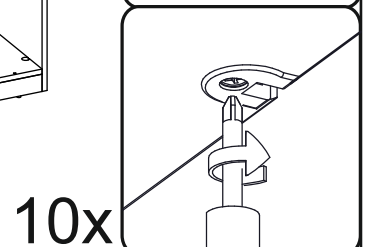
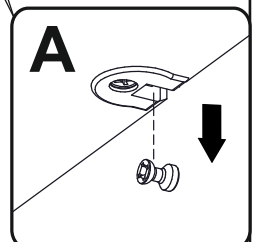
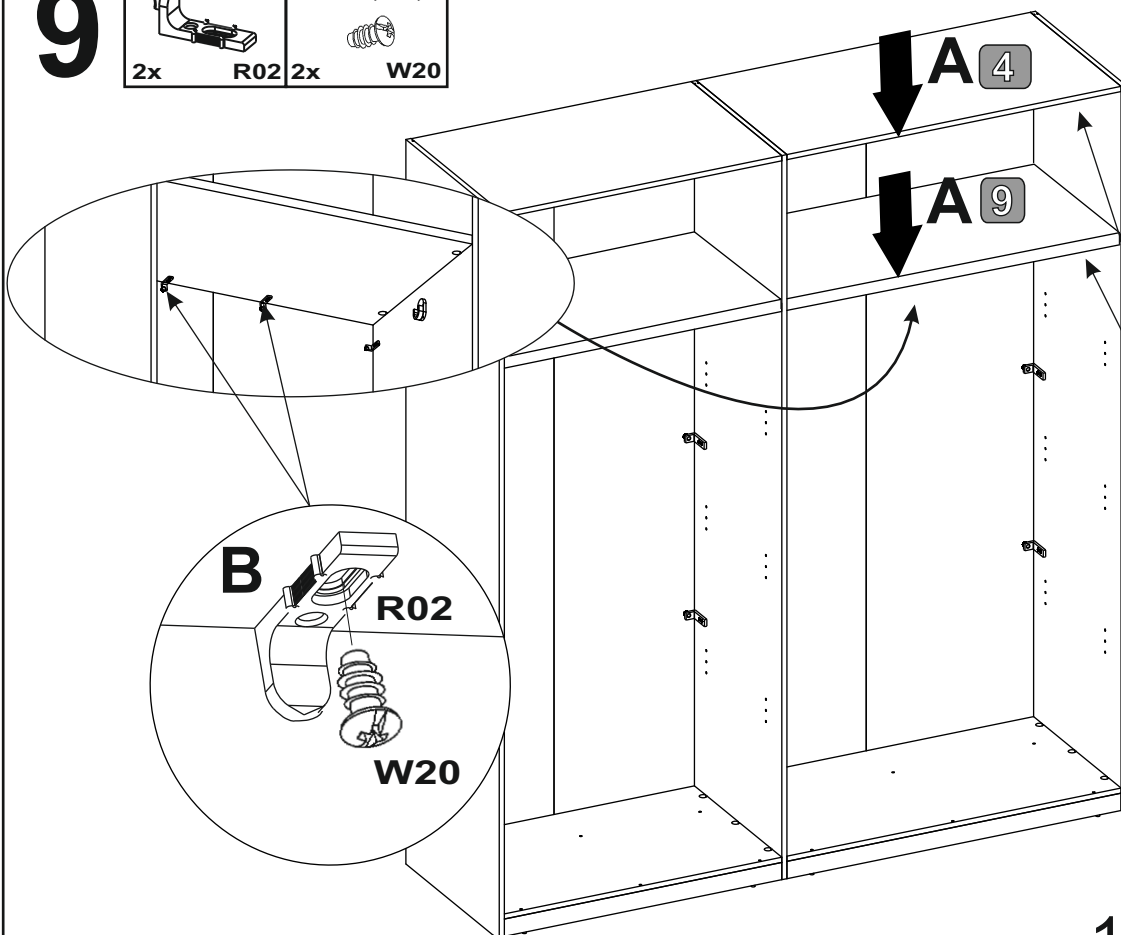
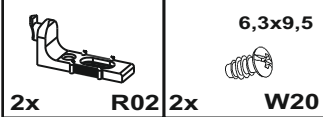
## 7



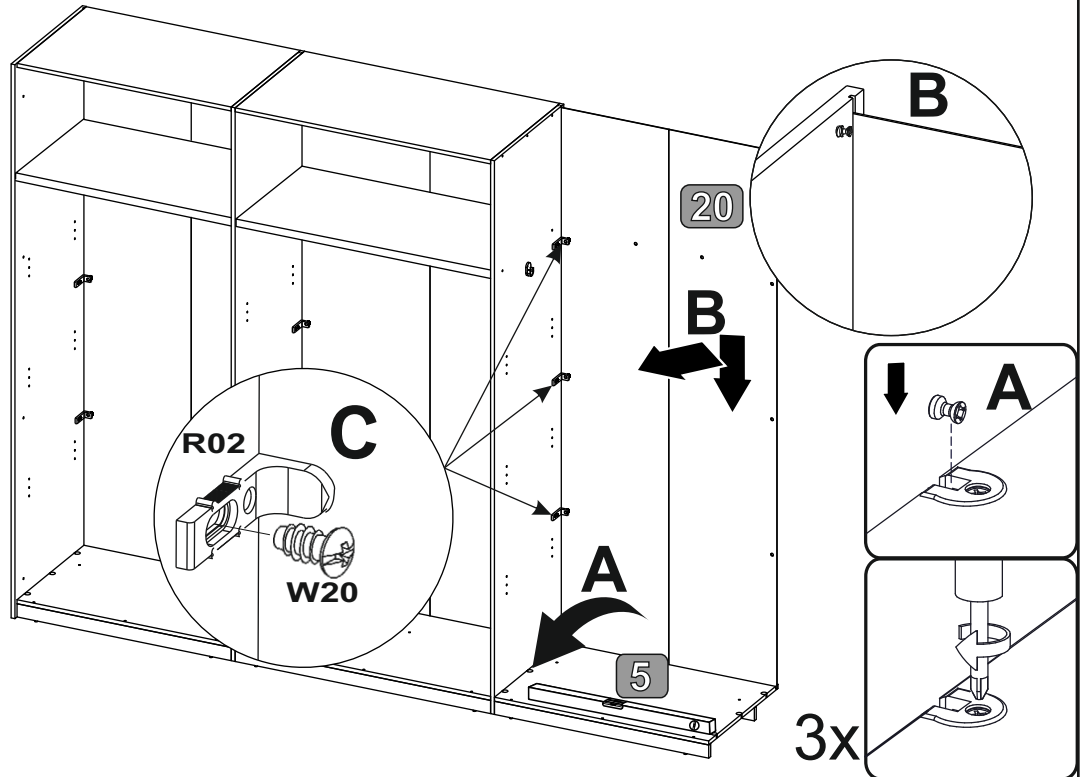
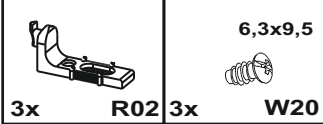
8



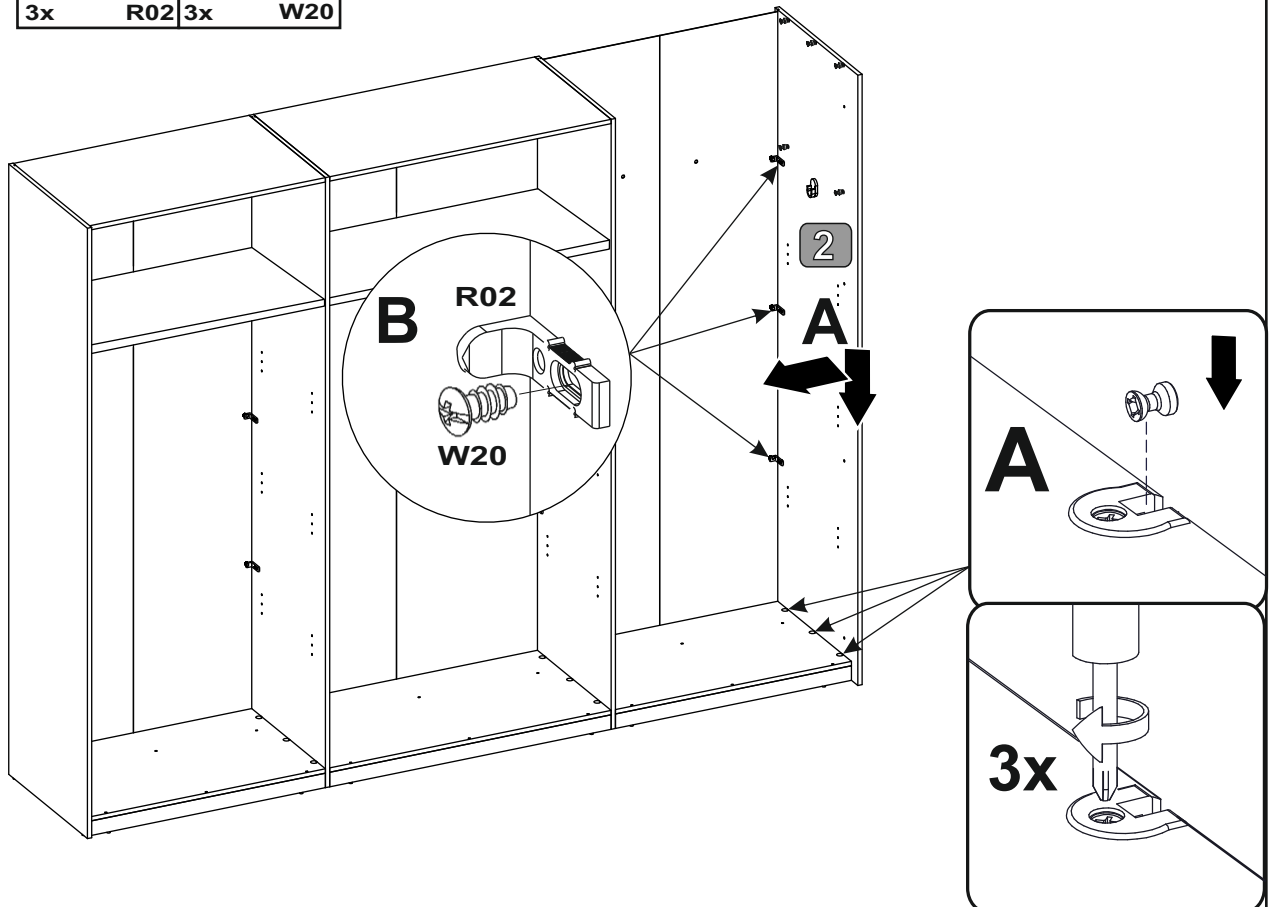
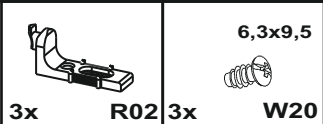
9



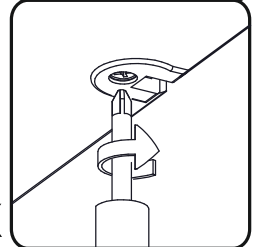
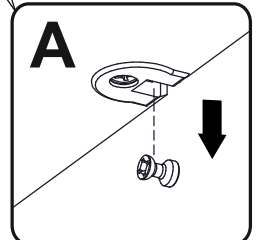
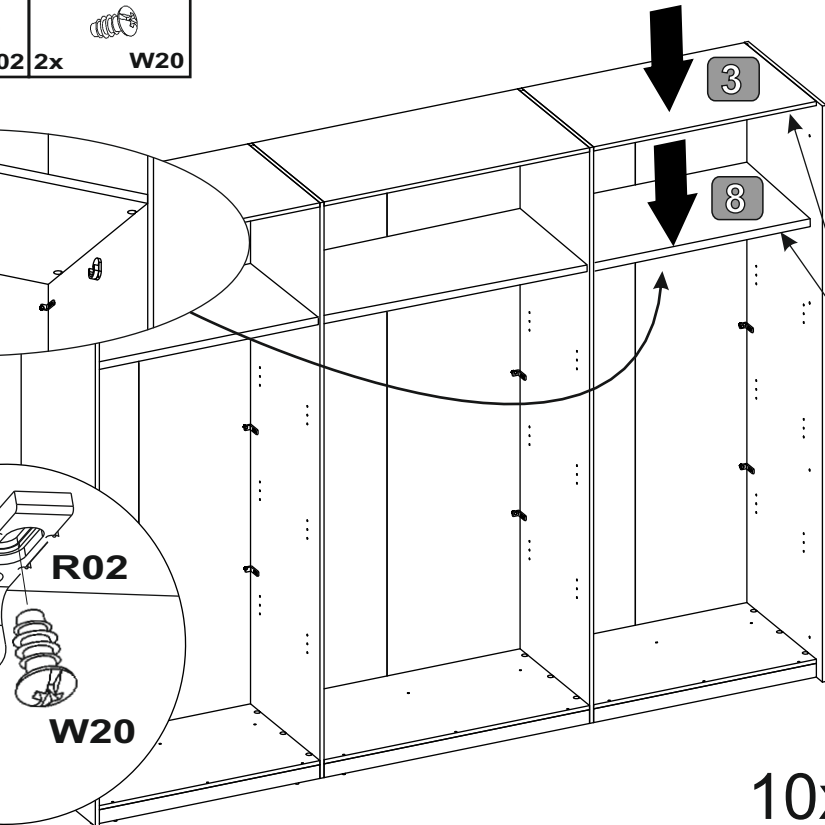
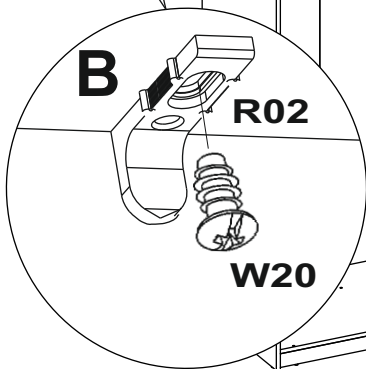
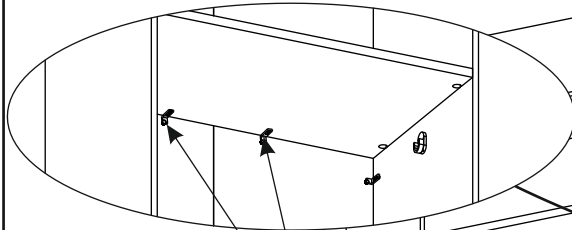
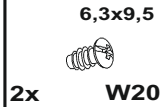
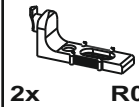
10



11

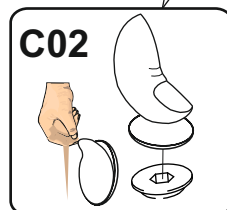
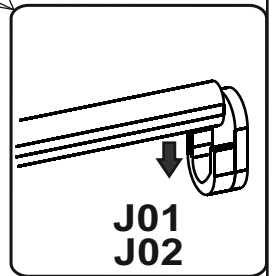
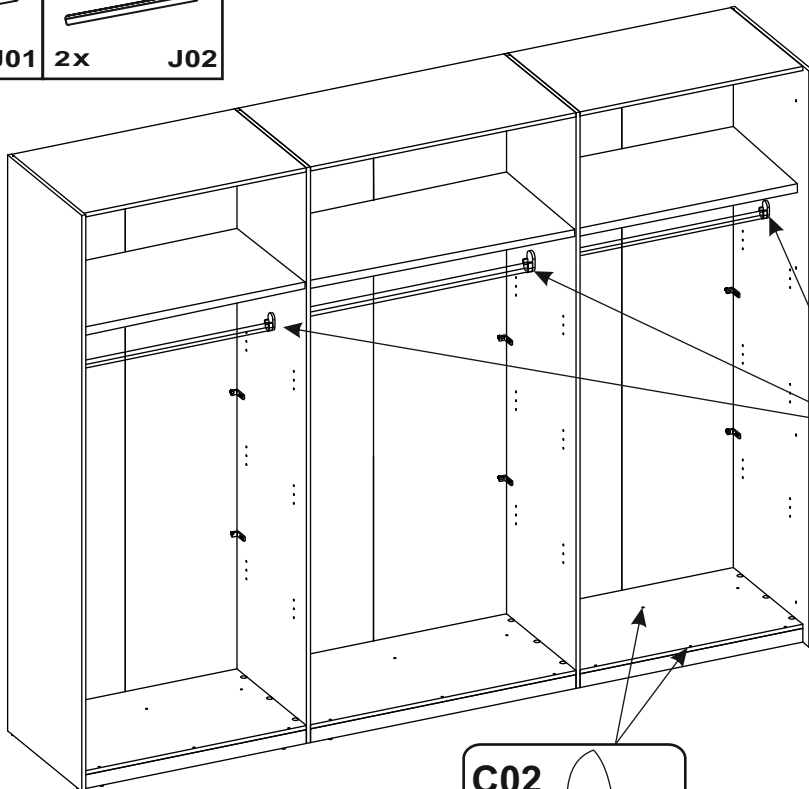
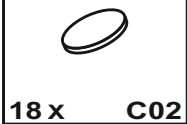
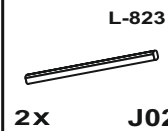
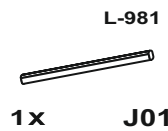


12








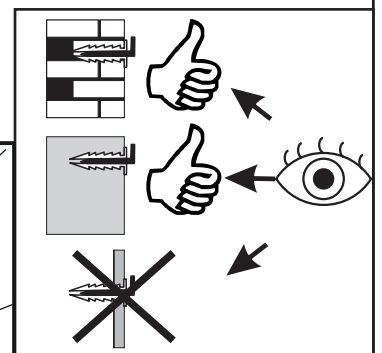
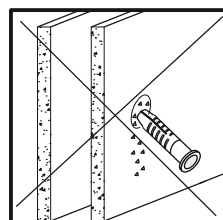
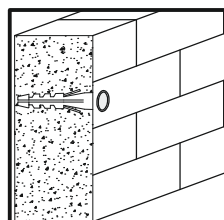
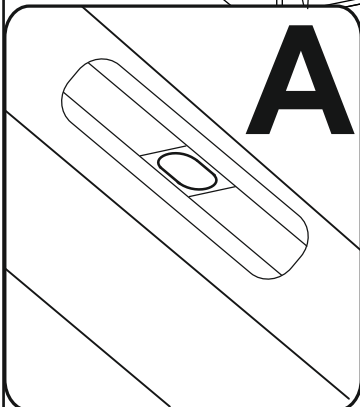
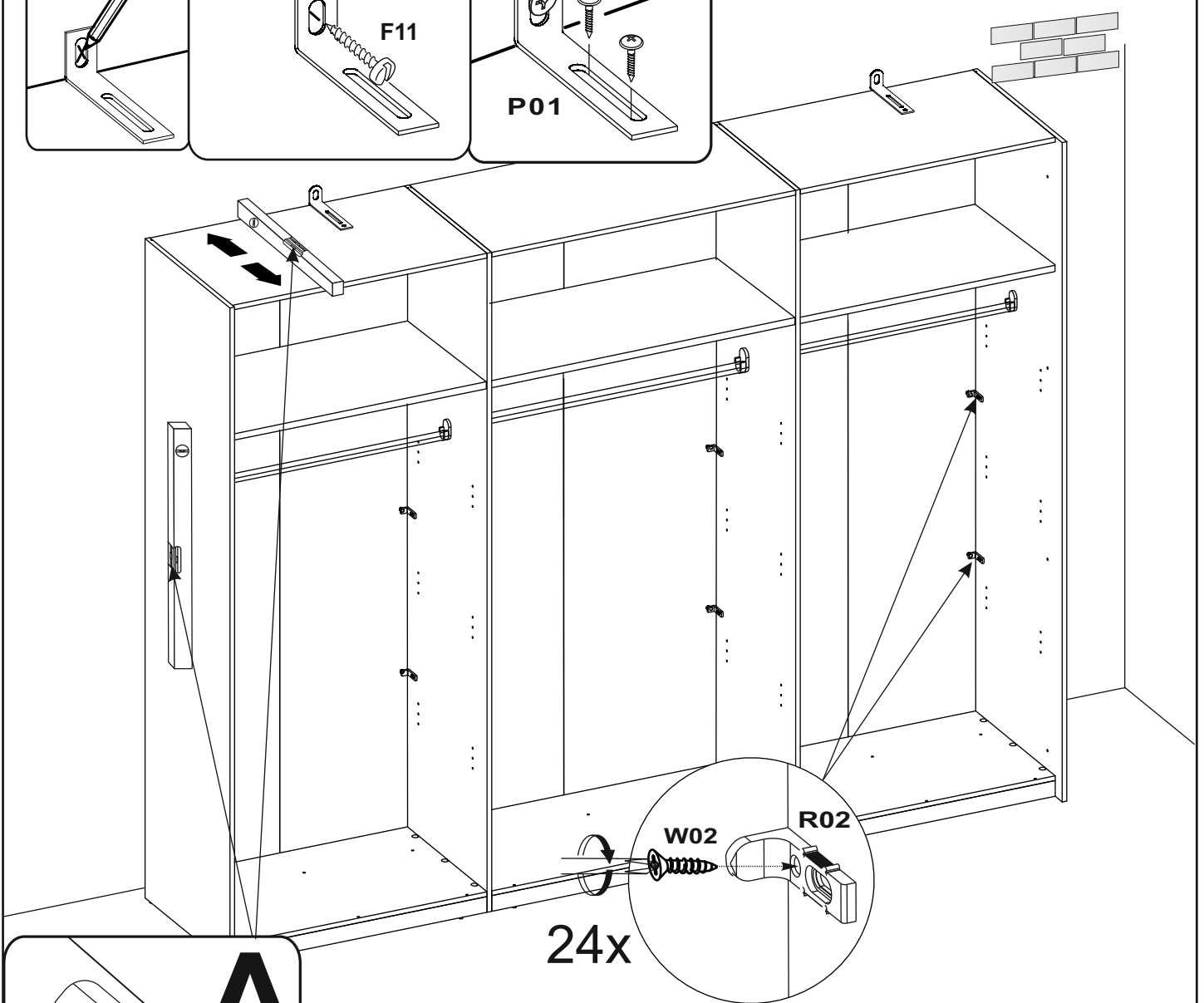
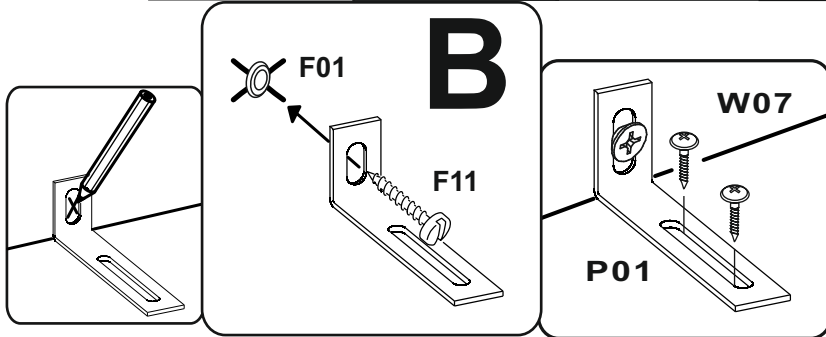
10x

13



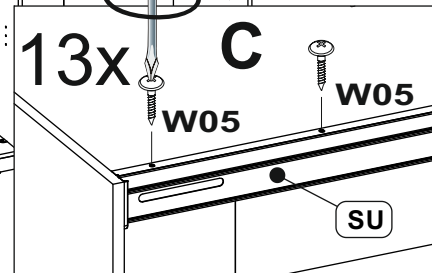
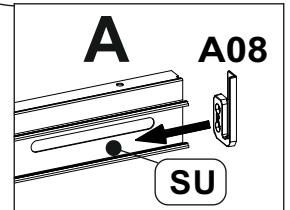
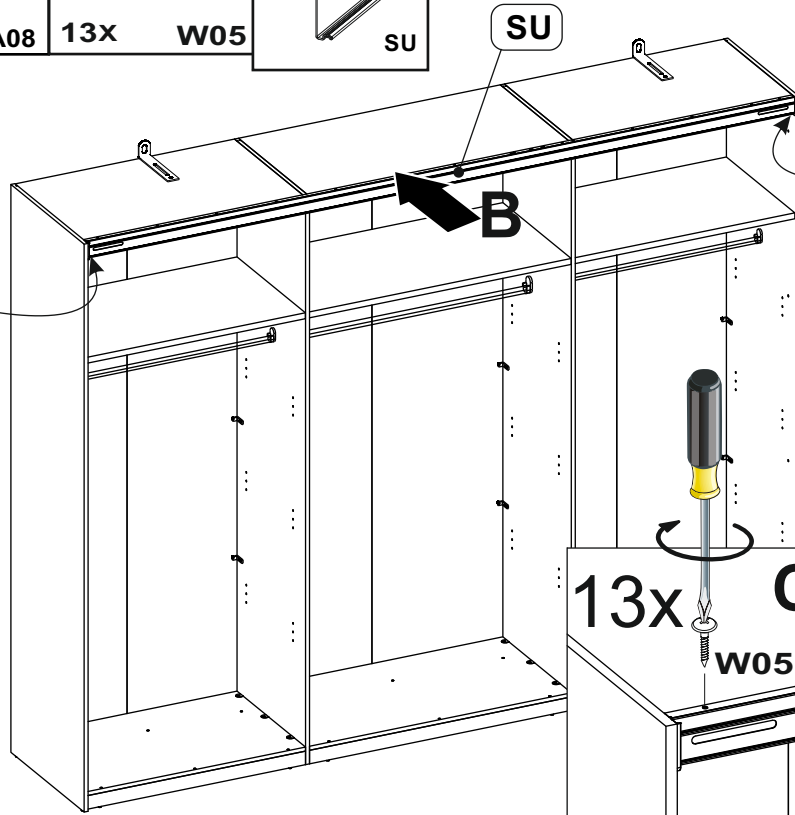
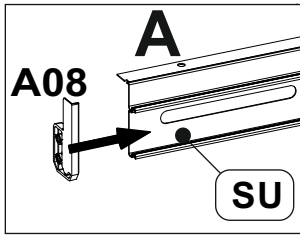
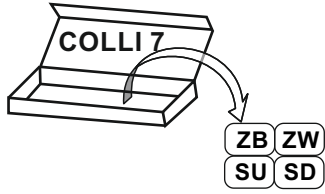
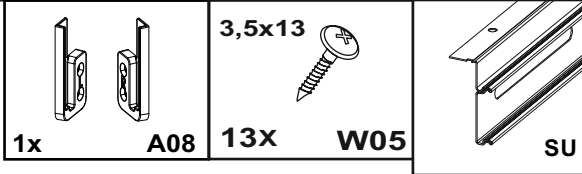
14

 2x F11	 2x F01	 2x P01	 24x W02	 4x W07
---	---	---	---	---

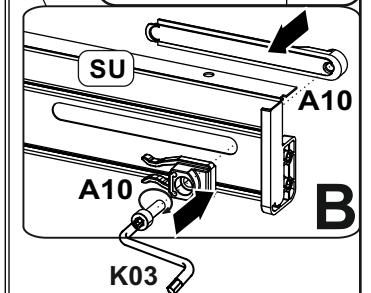
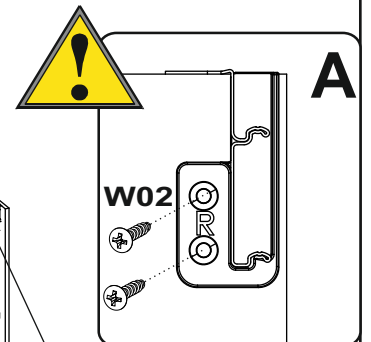
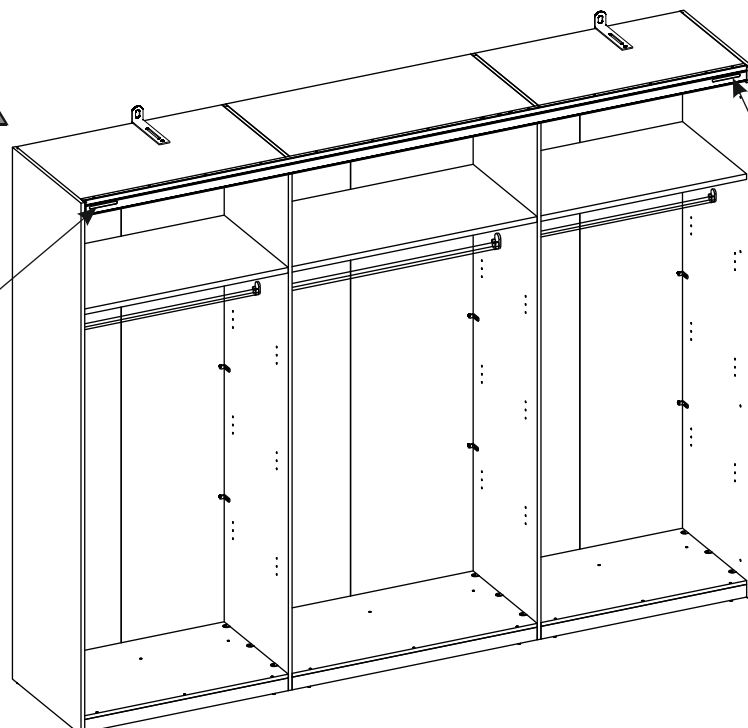
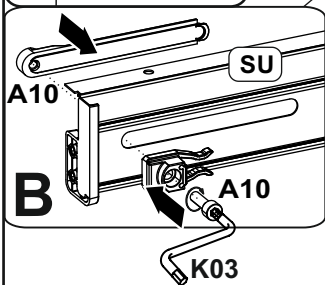
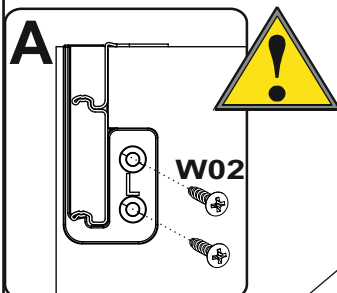
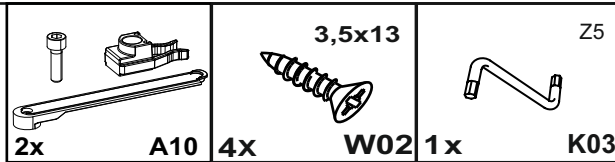




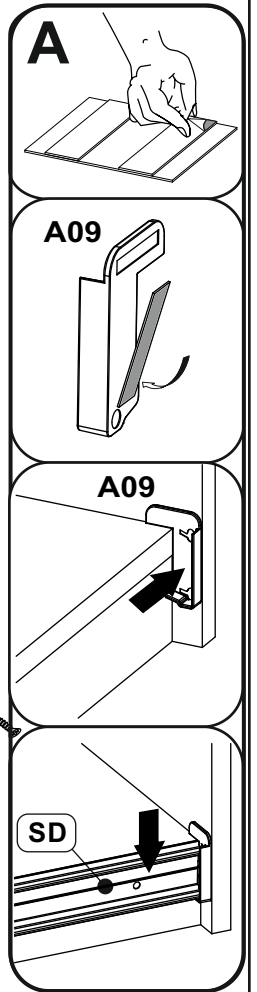
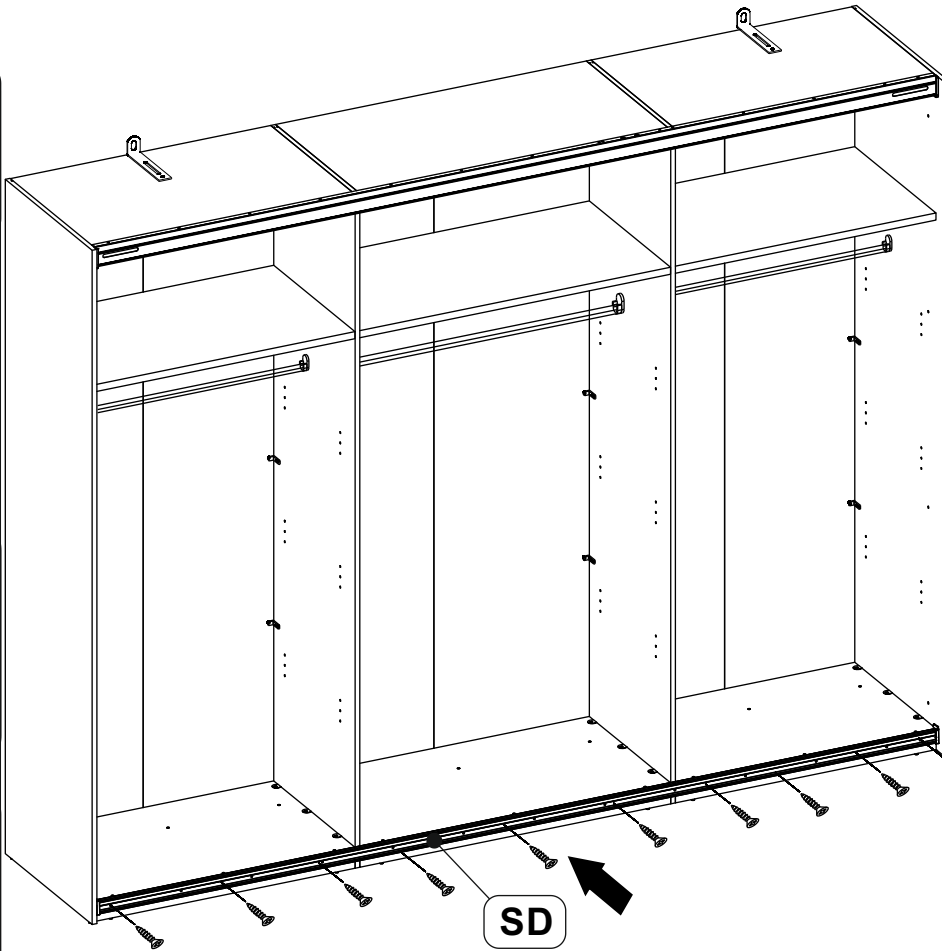
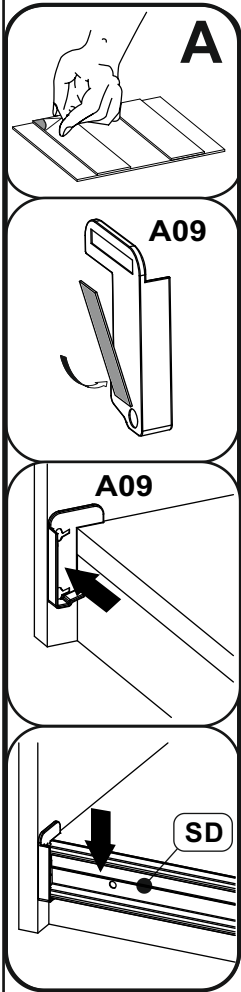
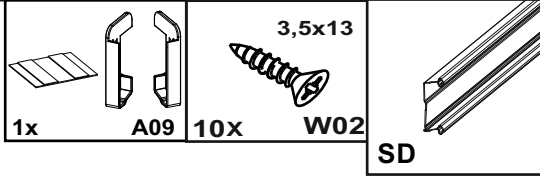
## 15



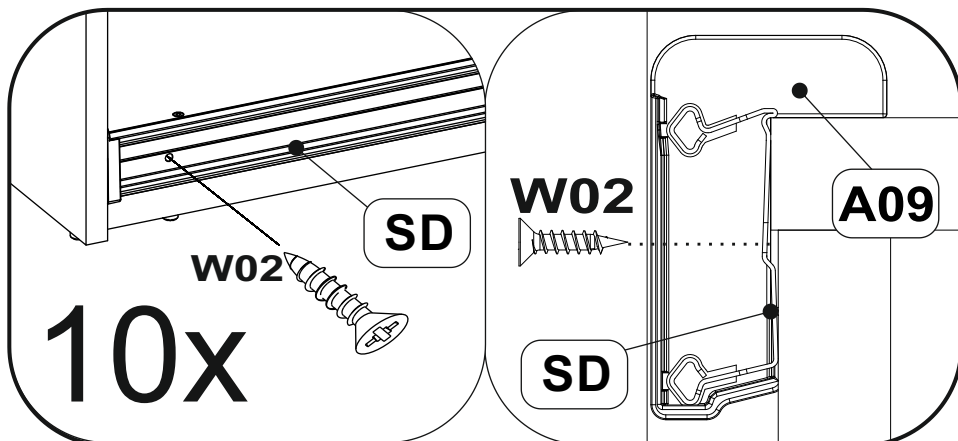
## 16



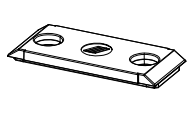
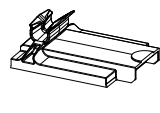

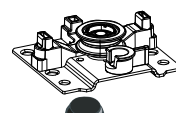
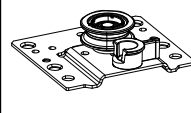
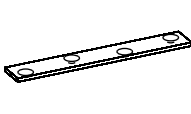

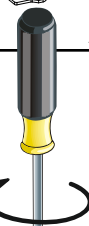
17

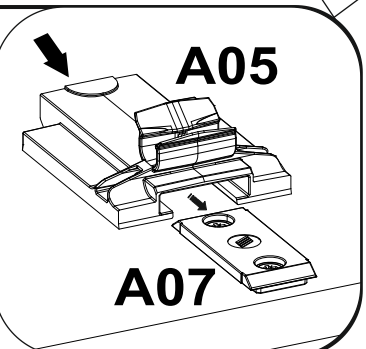
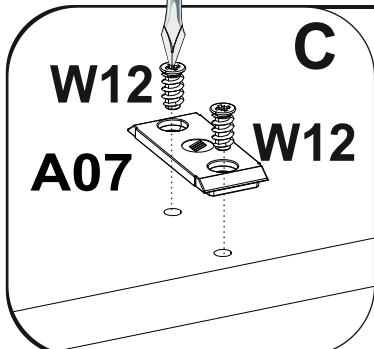
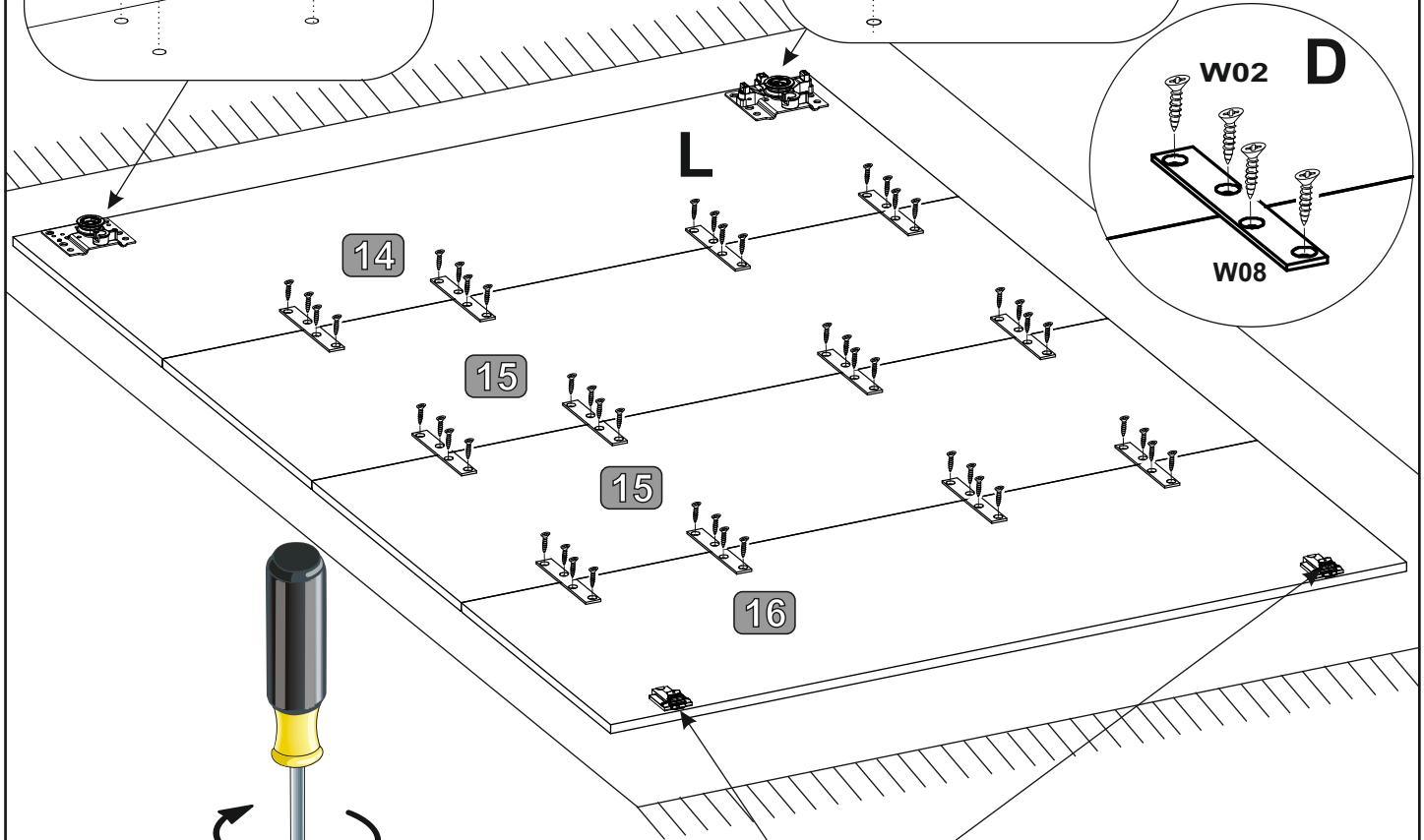
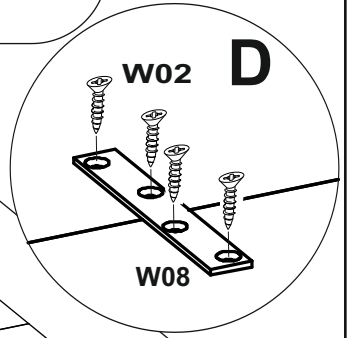
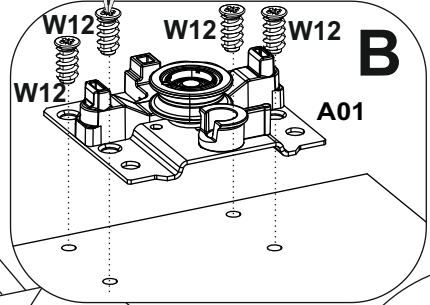
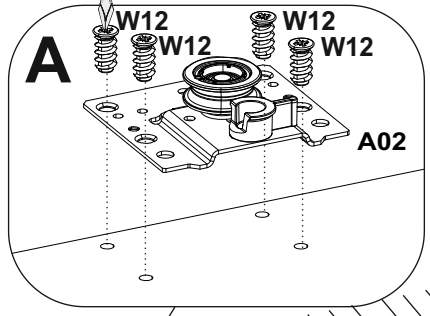


B


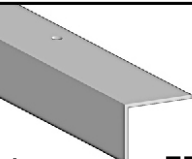
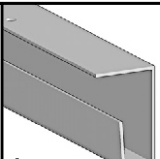
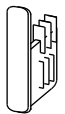


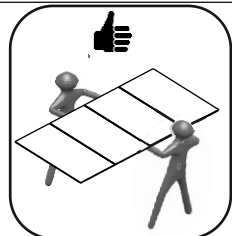
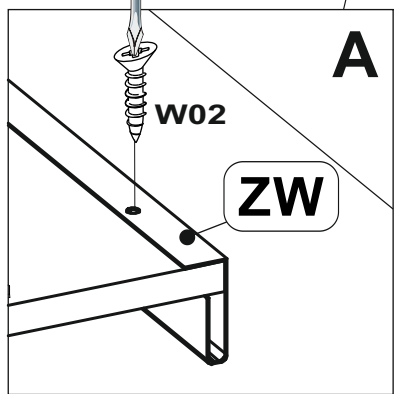
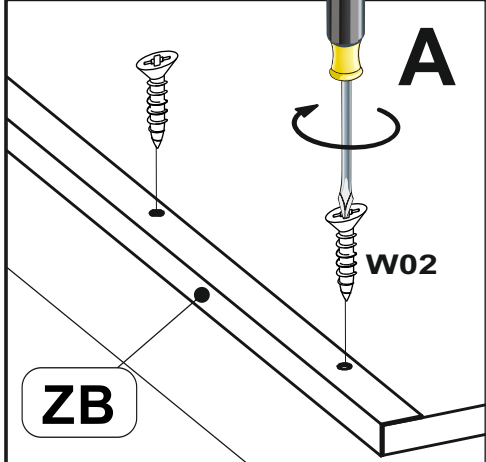
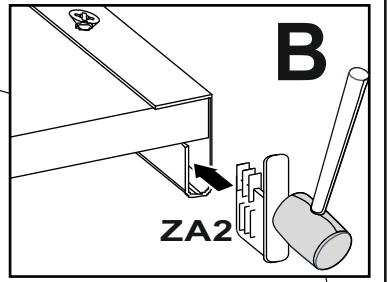
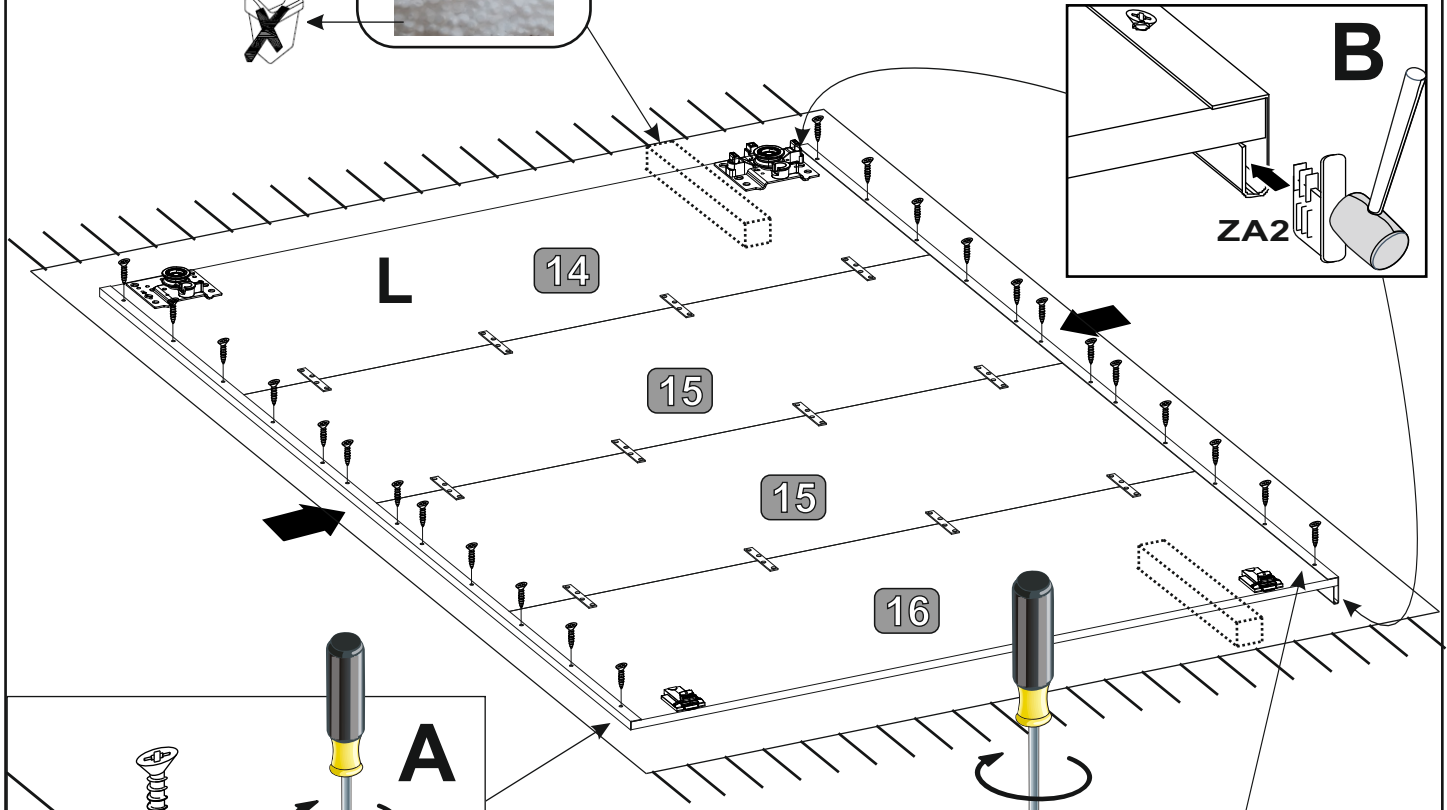
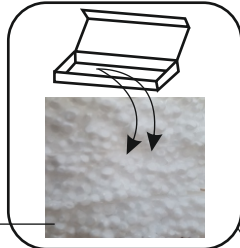
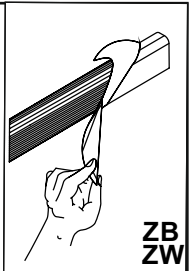
18

 2x A07	 2x A05	 12x W12	 1x A01	 1x A02
 12x W08	 48x W02			



# 19

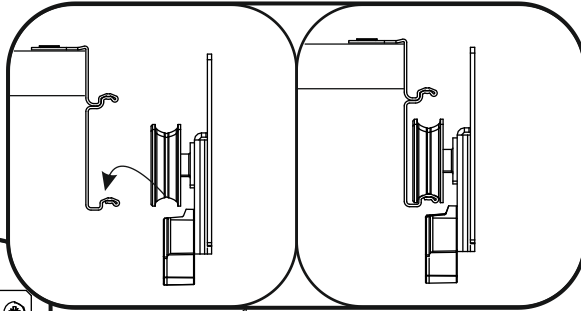
 3,5x13 24x W02	 ZB 1x	 ZW 1x	 H-37 ZA2 2x
--	--	--	--



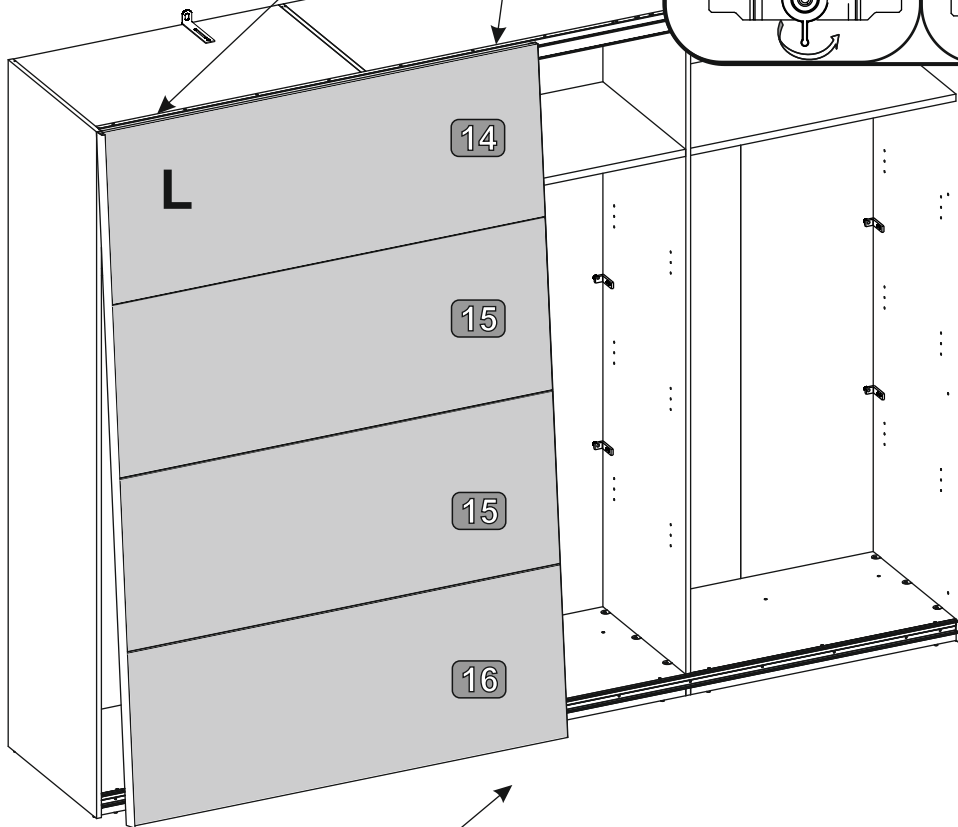
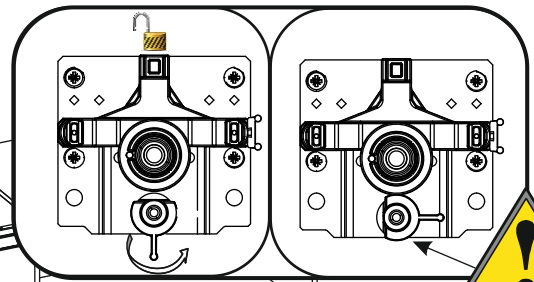
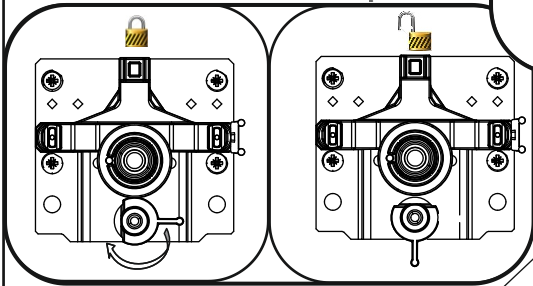
# 20

# B

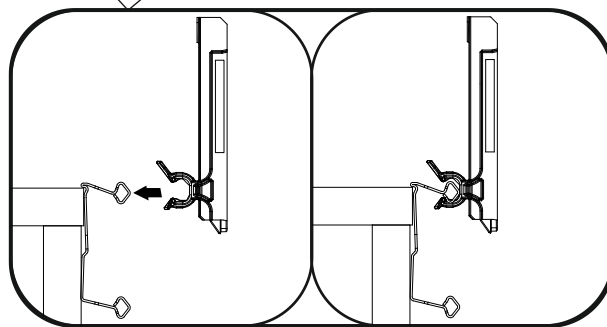
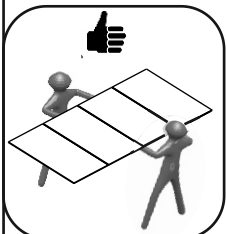
# A



# D



# C



## 21

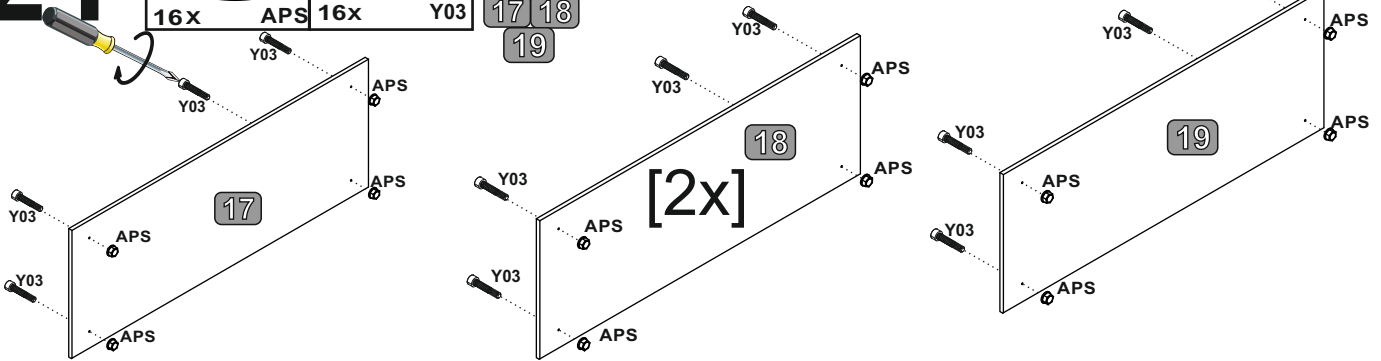


16x APS

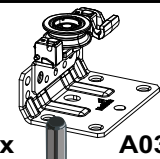


16x Y03

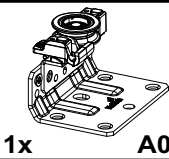
COLLI 6  
17 18  
19



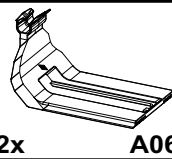
## 22



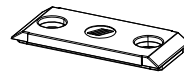
1x A03



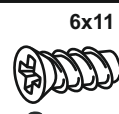
1x A04



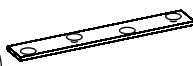
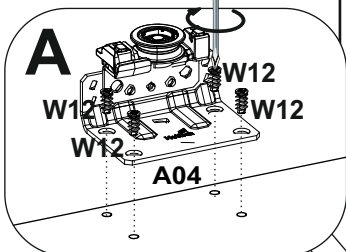
2x A06



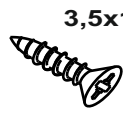
2x A07



6x11  
W12

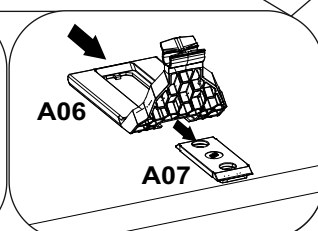
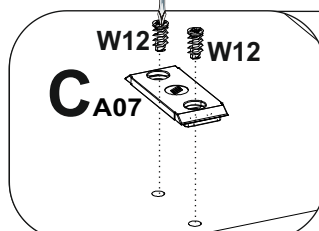
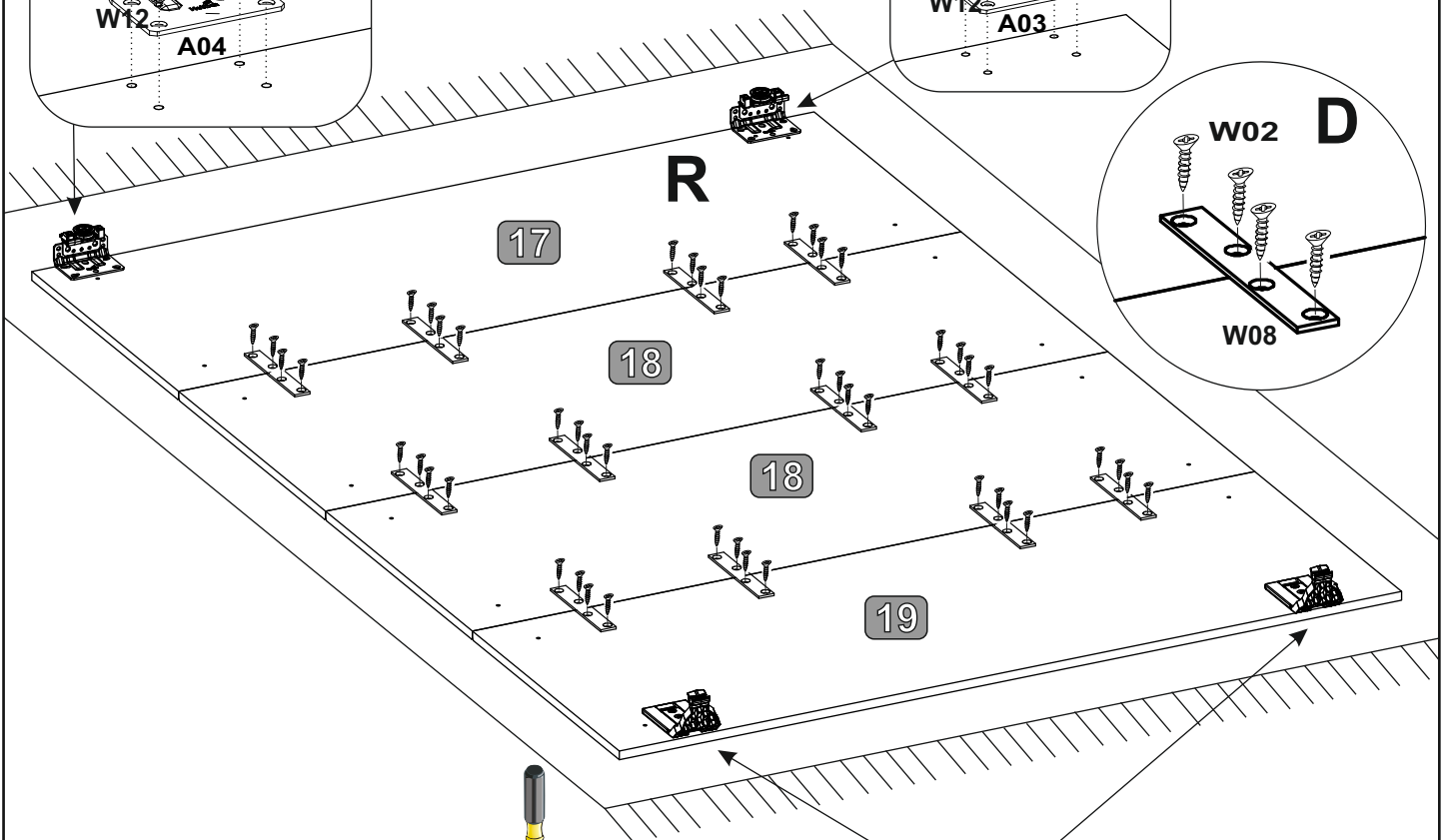
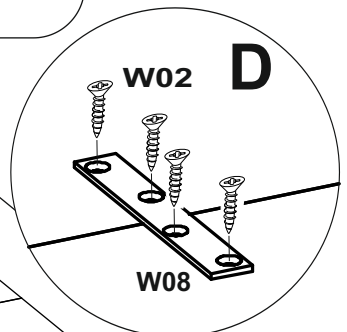
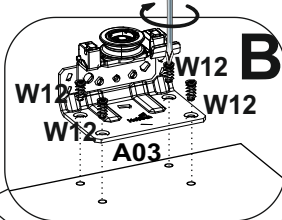


12x W08

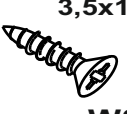
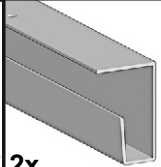
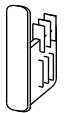


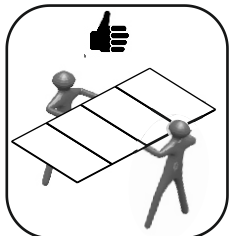
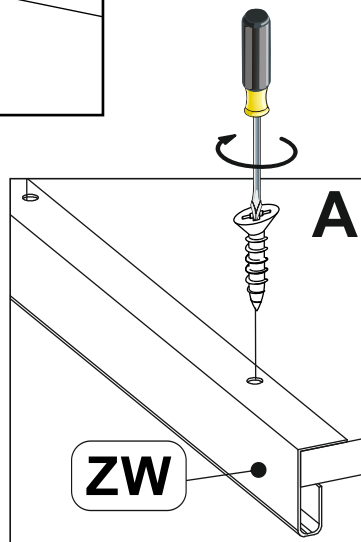
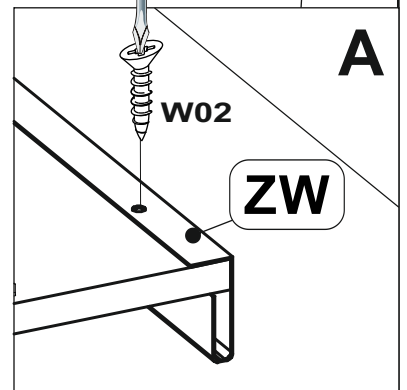
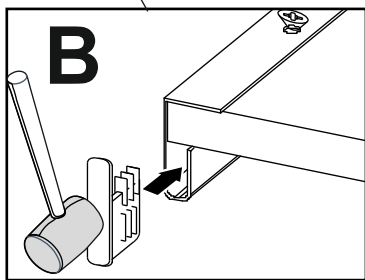
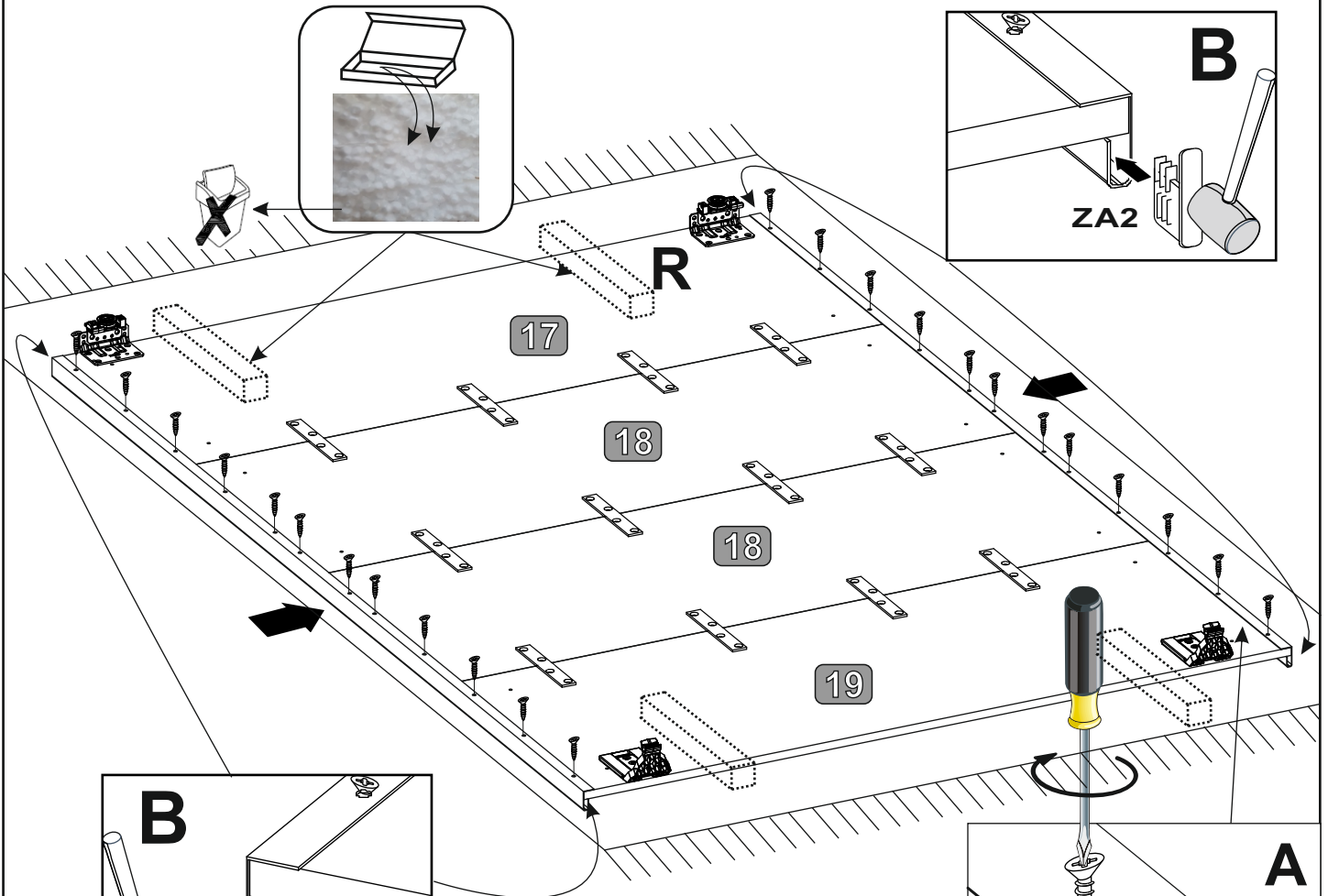
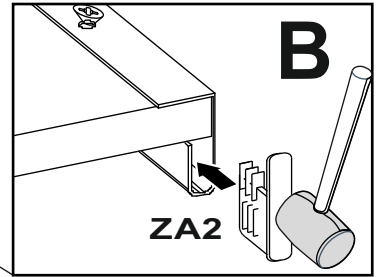
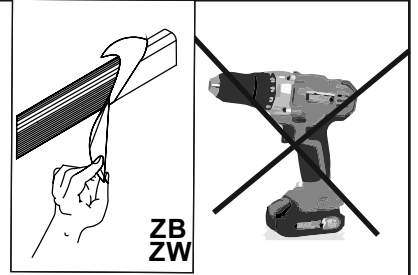
3,5x13  
W02

48x W02



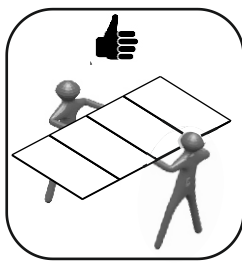
23

3,5x13				H-37
24X	W02	2x	ZW	4X
				ZA2

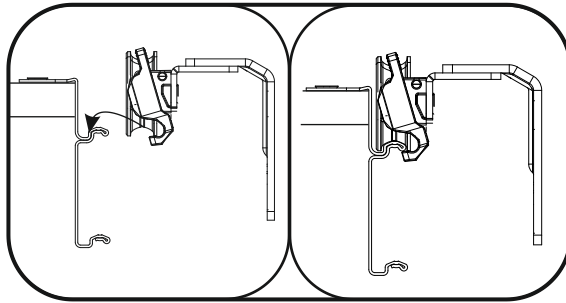




24



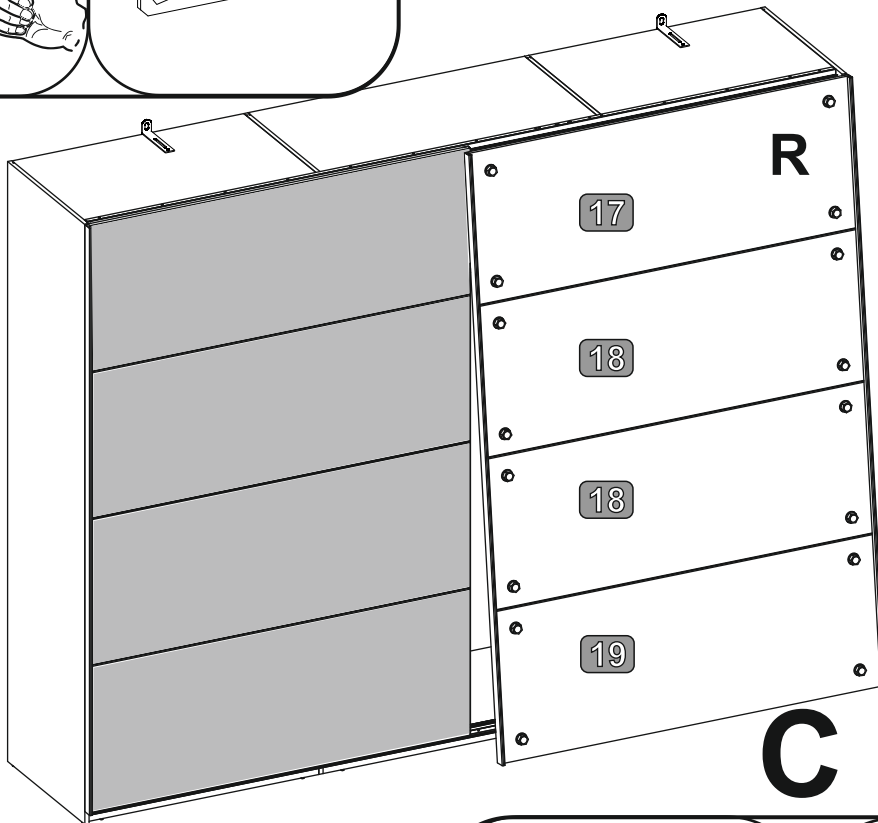
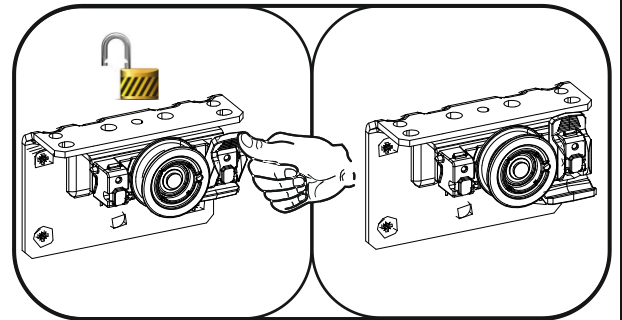
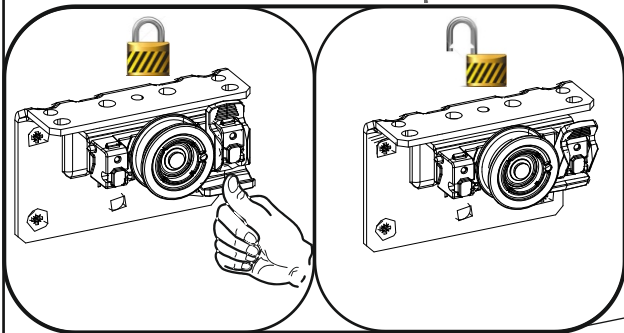
B



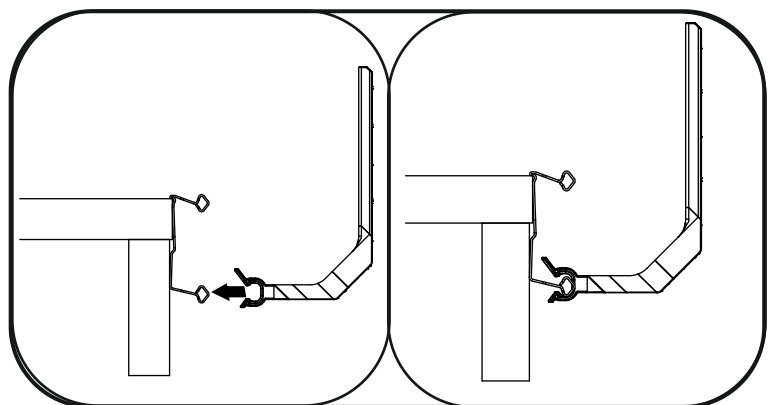
D



A



C



# 25

