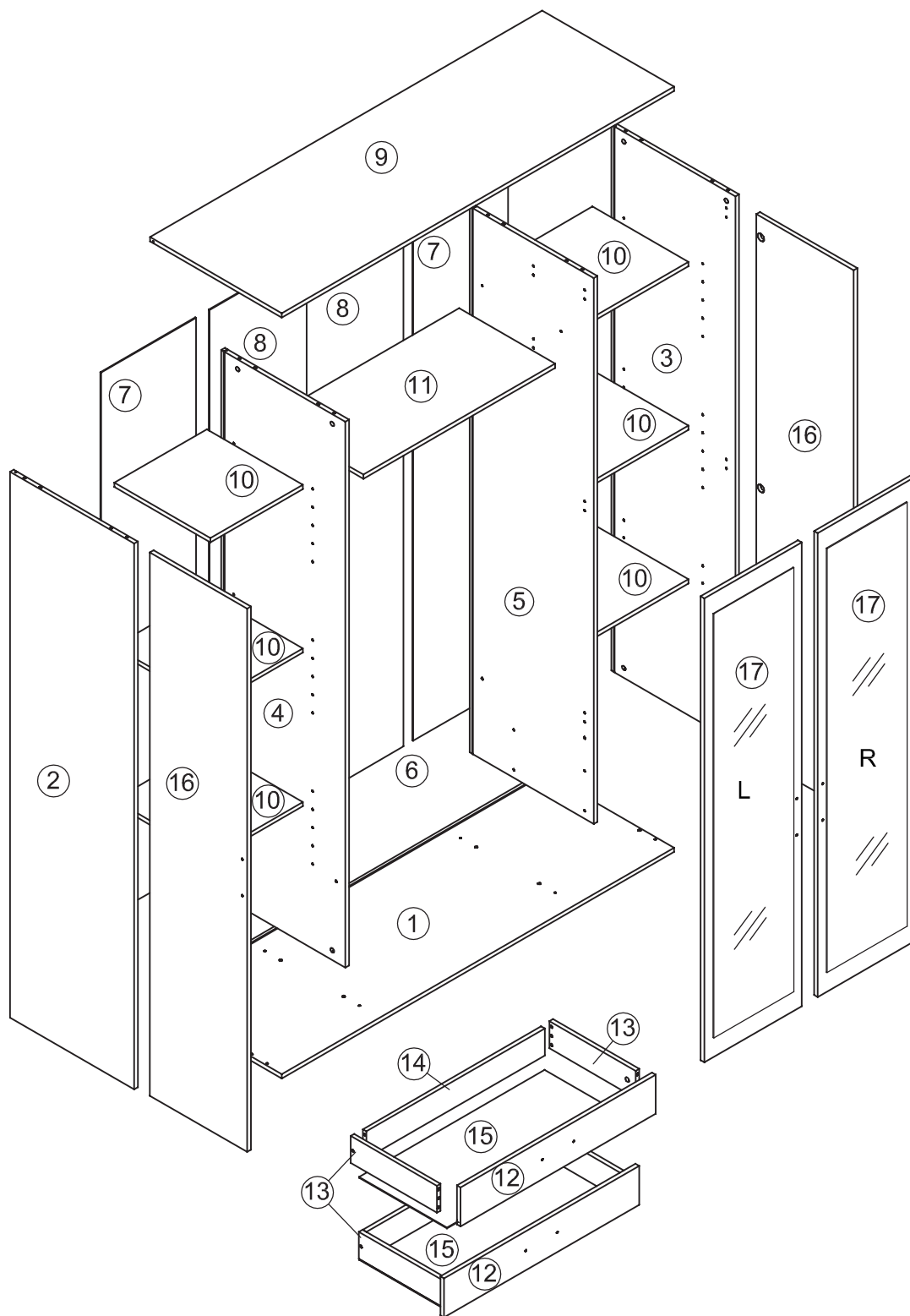
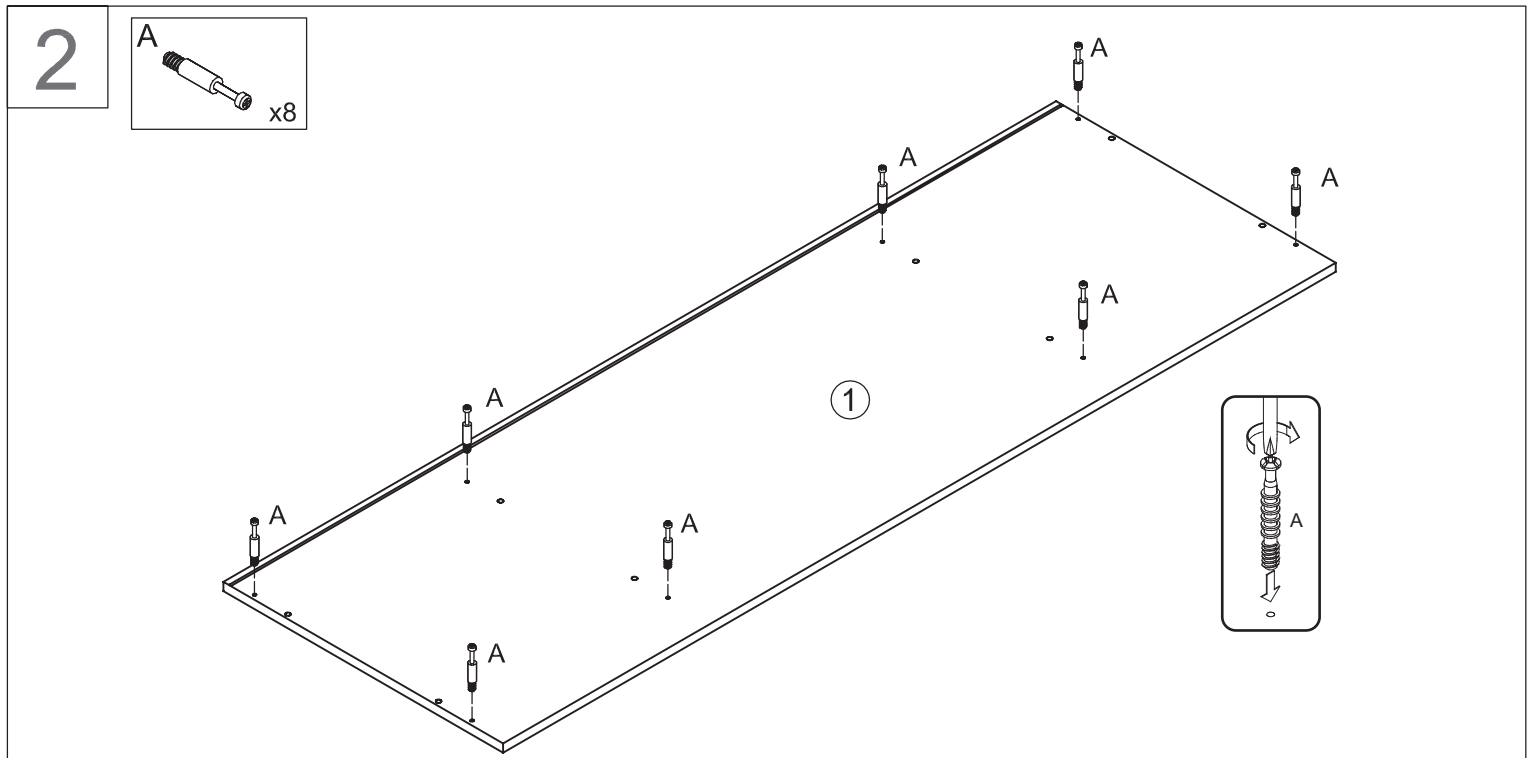
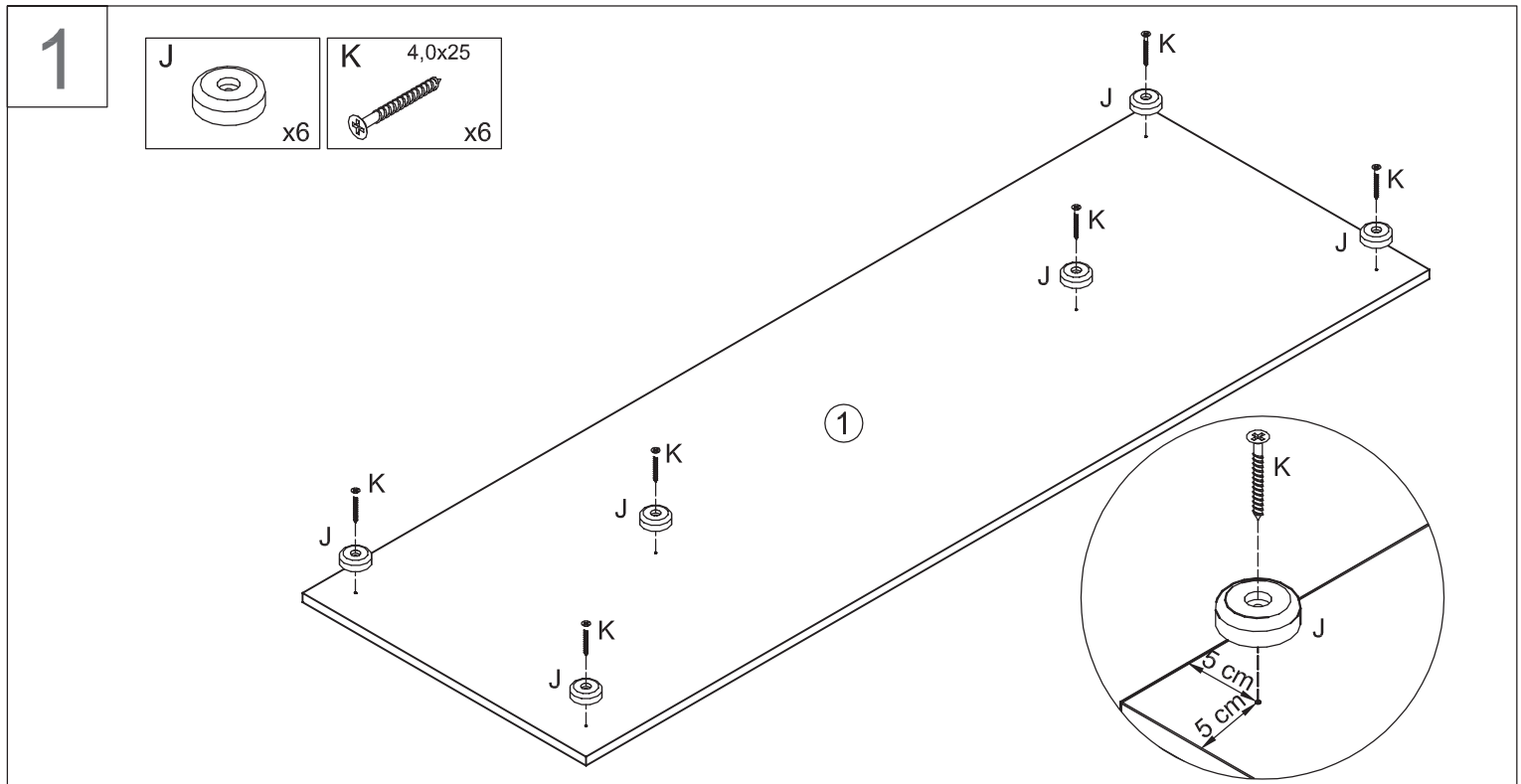
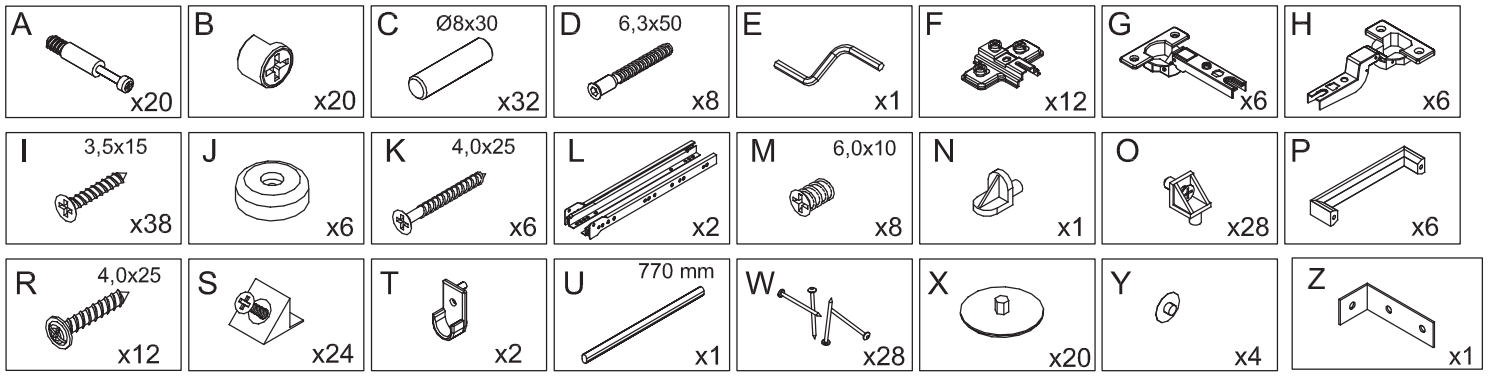


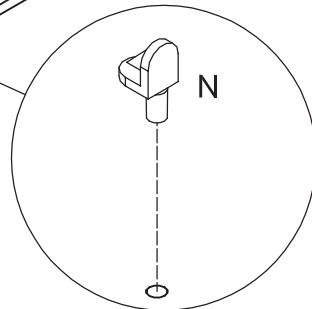
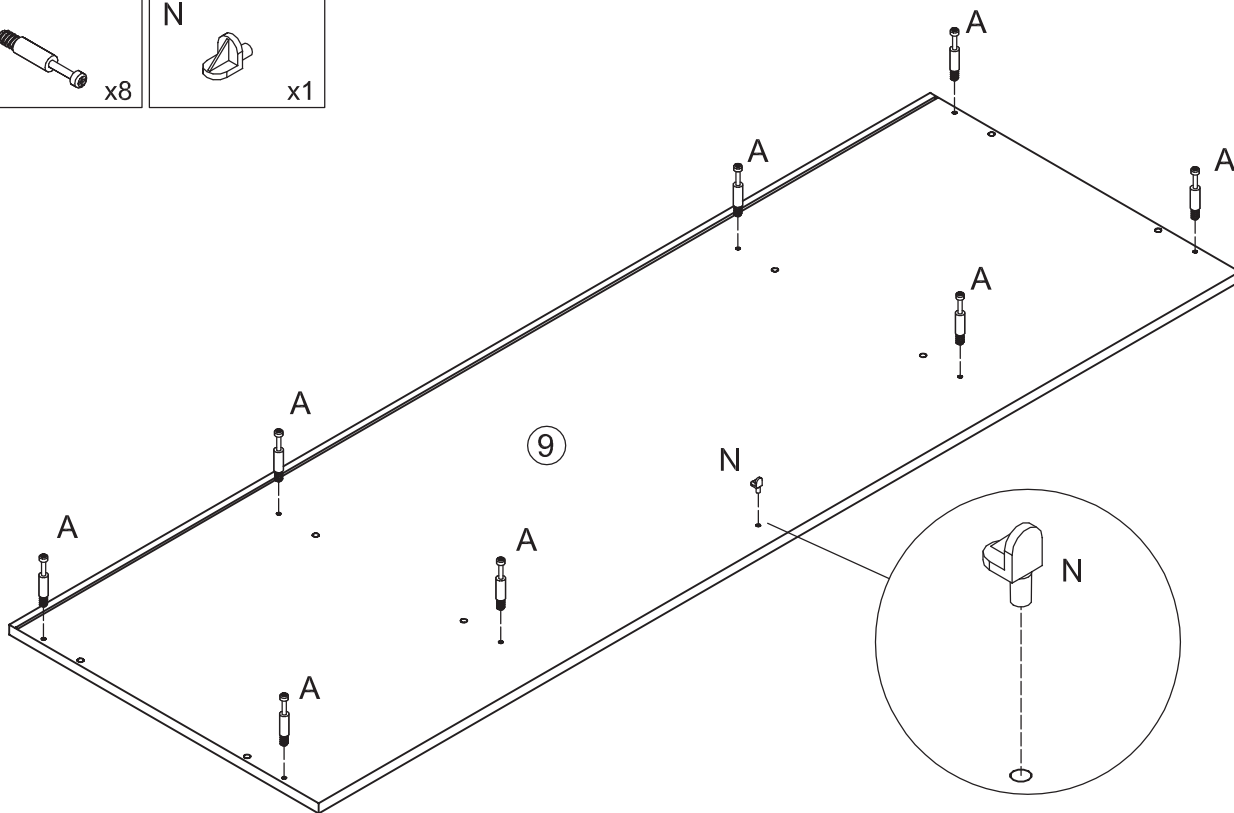
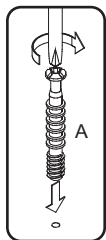
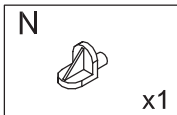
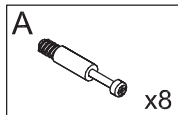
1	x1	ca. 1592 x 535 x 16	1/3
2	x1	ca. 1918 x 504 x 16	2/3
3	x1	ca. 1918 x 504 x 16	2/3
4	x1	ca. 1918 x 504 x 16	2/3
5	x1	ca. 1918 x 504 x 16	2/3
6	x1	ca. 779 x 489 x 16	1/3
7	x2	ca. 1927 x 385 x 3	3/3
8	x2	ca. 1927 x 393 x 3	3/3
9	x1	ca. 1592 x 535 x 16	1/3

10	x6	ca. 375 x 390 x 16	1/3
11	x1	ca. 778 x 390 x 16	1/3
12	x2	ca. 792 x 137 x 16	1/3
13	x4	ca. 350 x 95 x 16	1/3
14	x2	ca. 724 x 95 x 16	1/3
15	x2	ca. 753 x 356 x 3	1/3
16	x2	ca. 1909 x 395 x 16	3/3
17	x2	ca. 1630 x 395 x 16	3/3

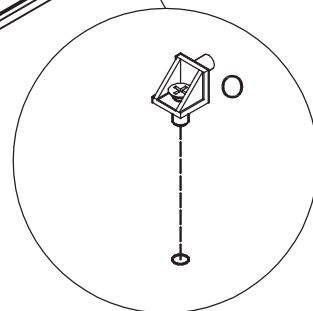
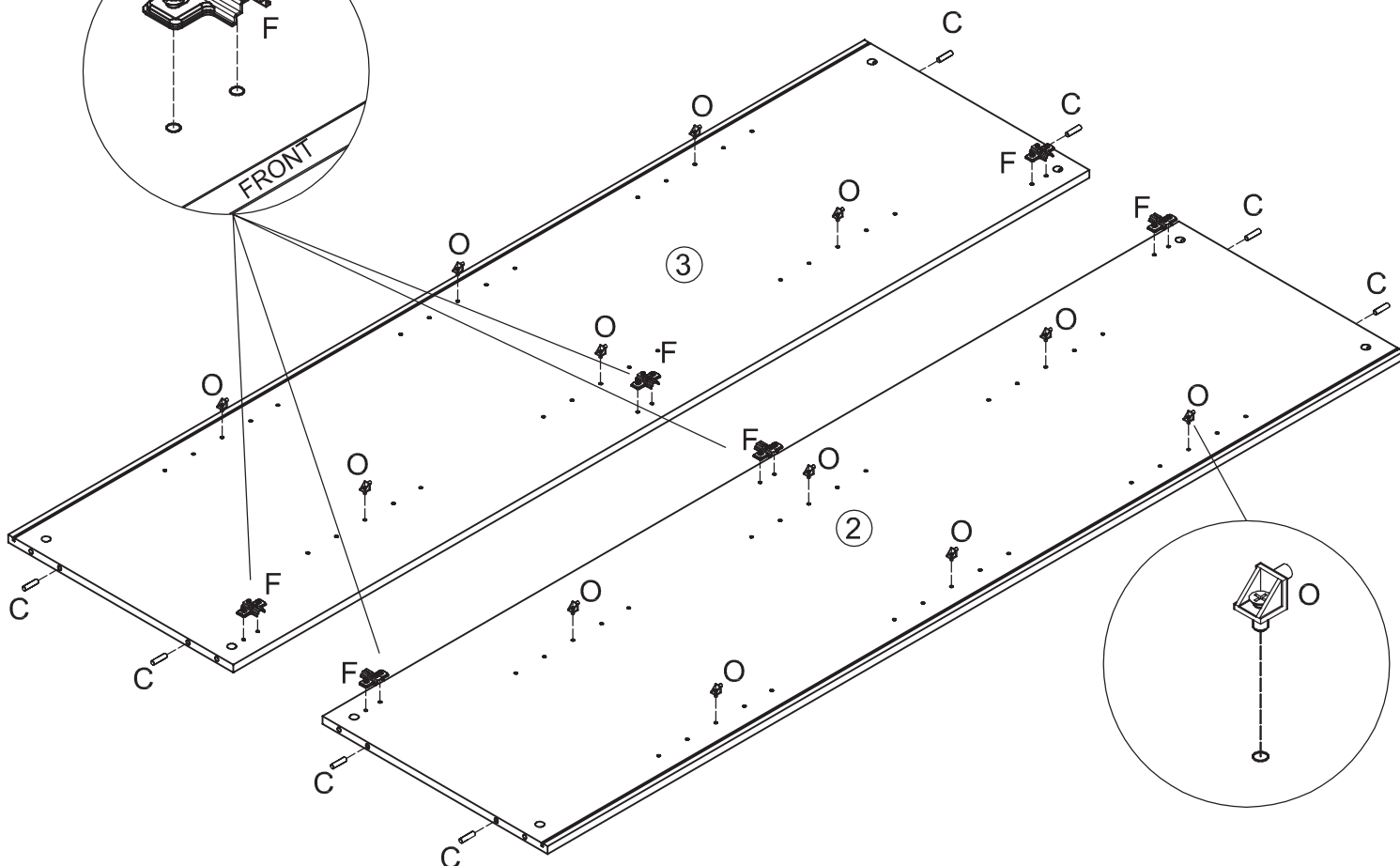
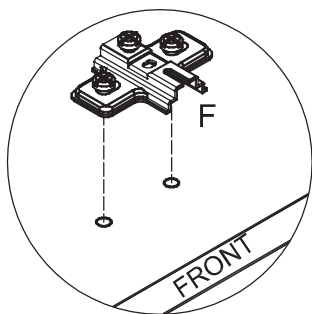
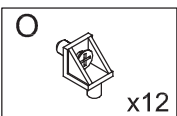
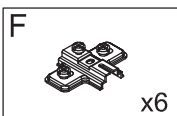
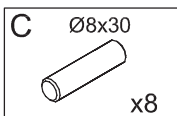




3

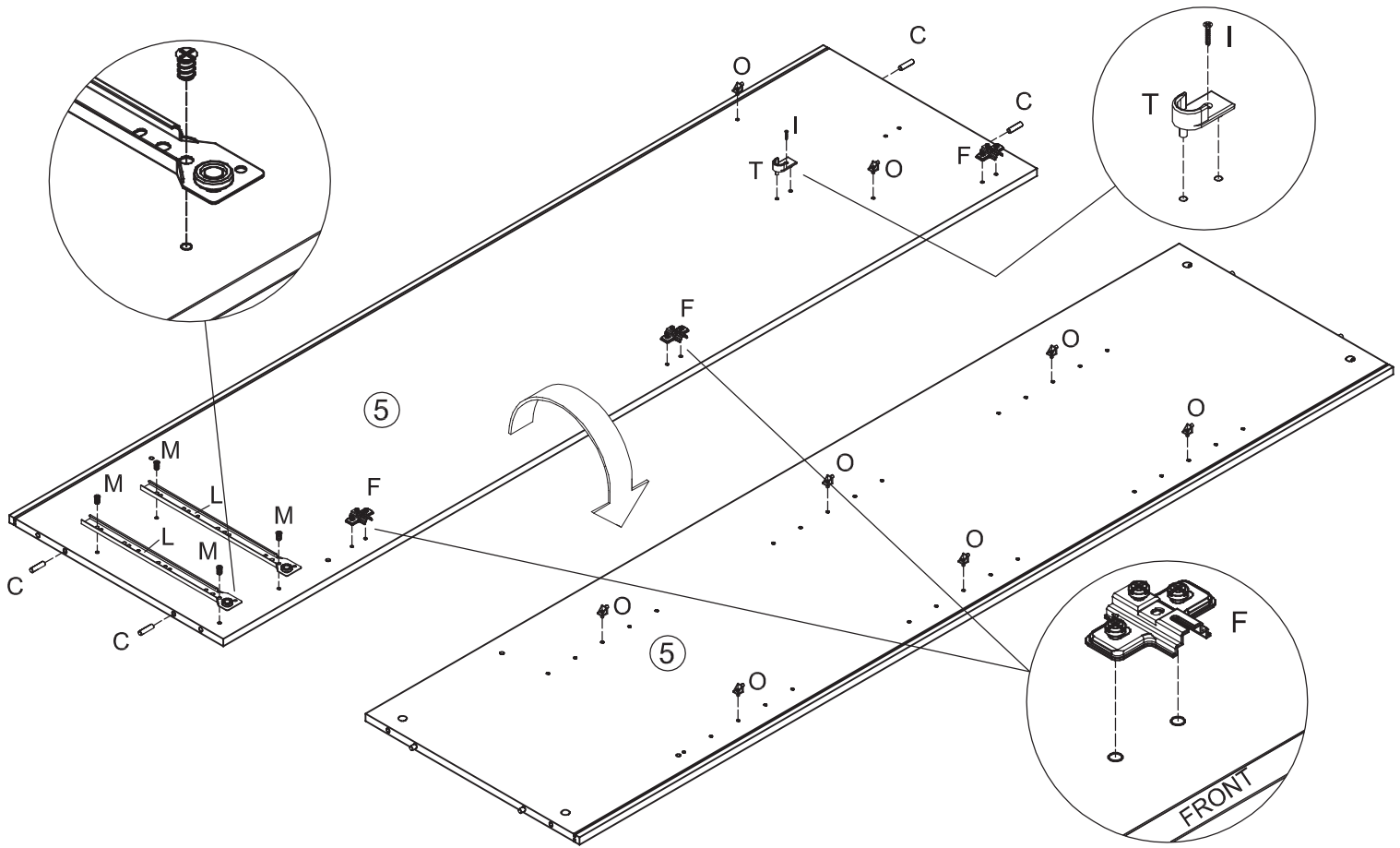


4



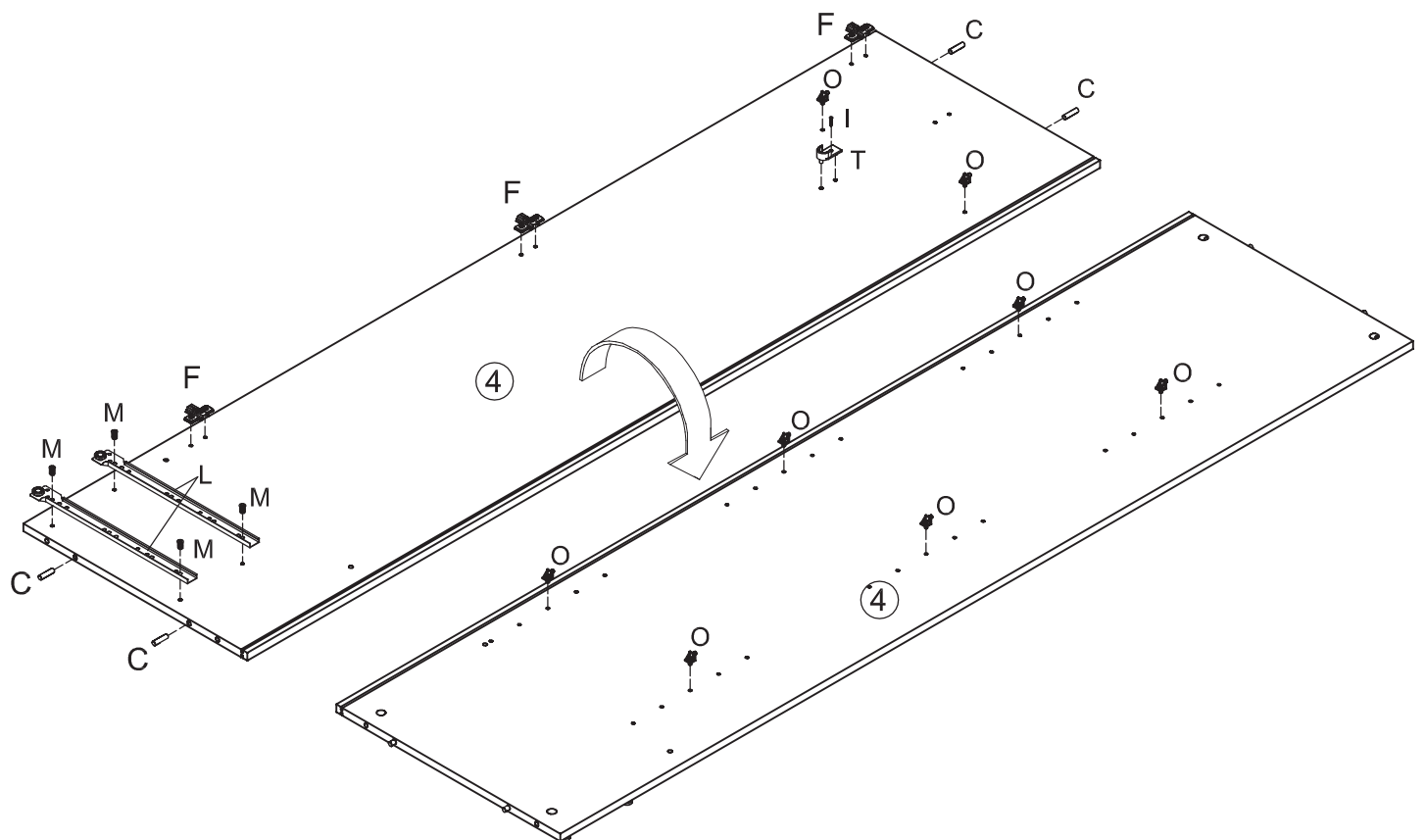
5

C	∅8x30	F		L		M	6,0x10	O		T		I	3,5x15
	x4		x3		x2		x4		x8		x1		x1

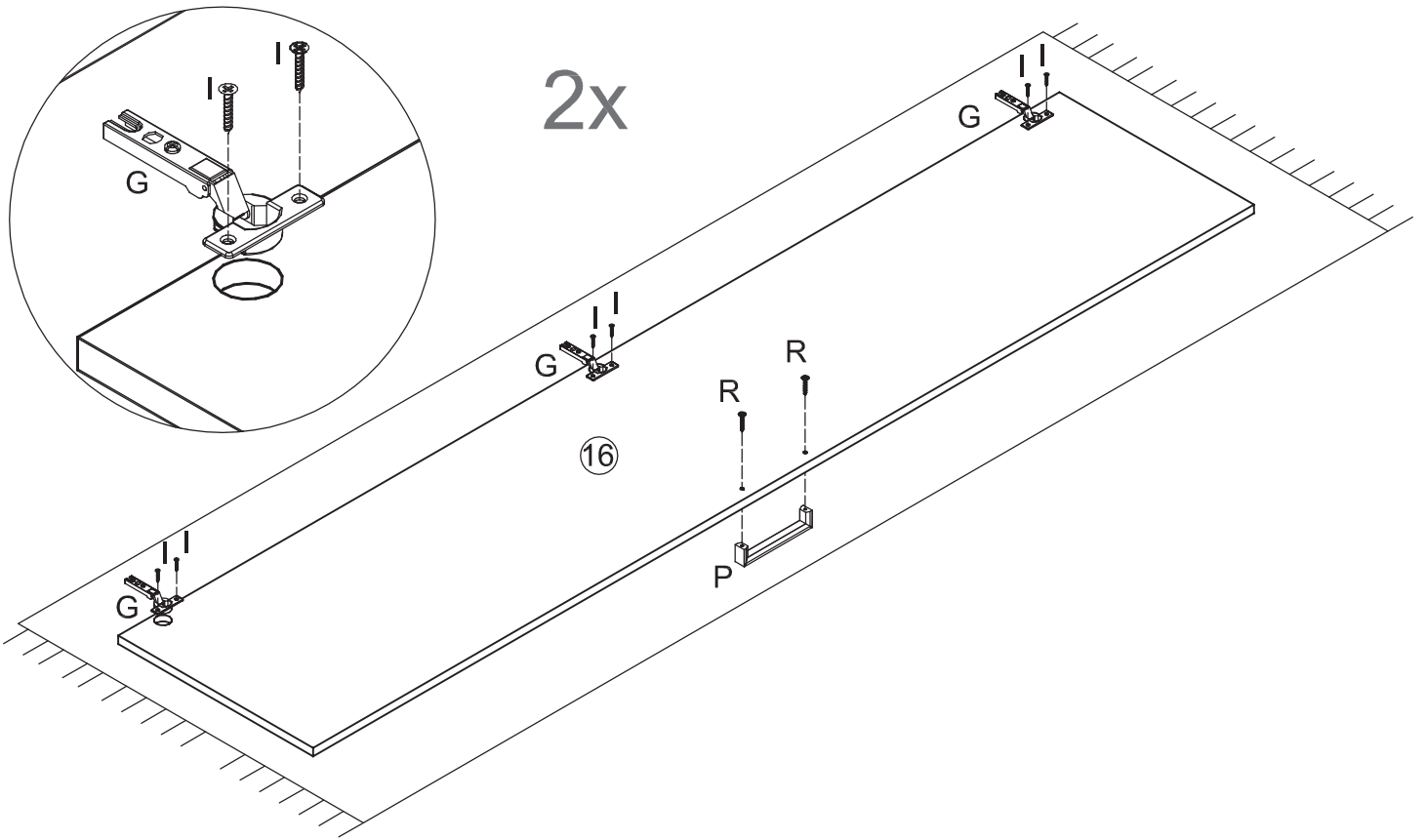
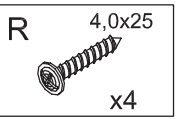
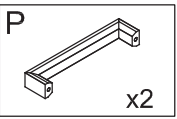
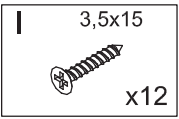
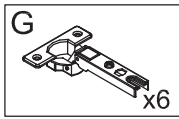


6

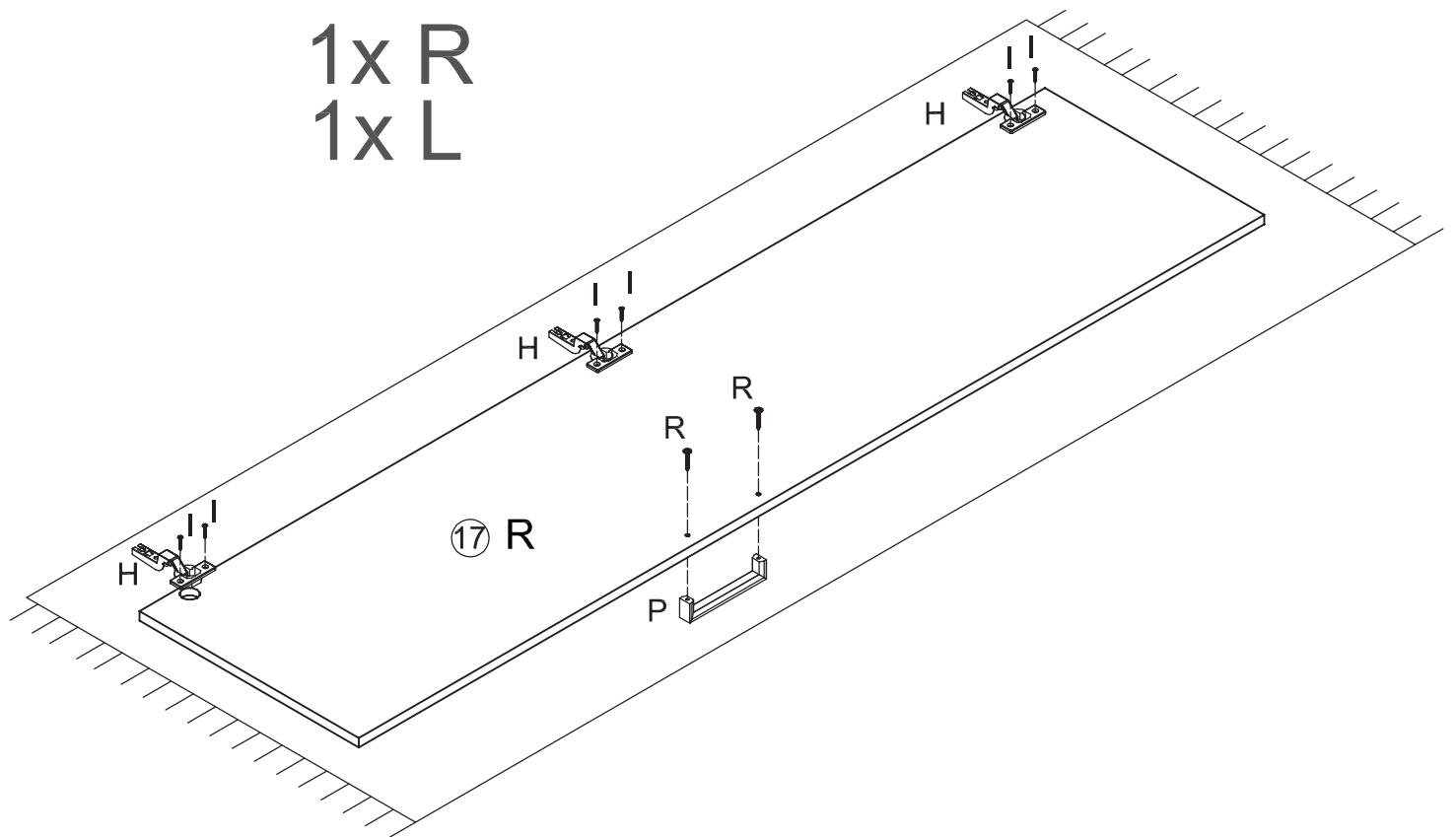
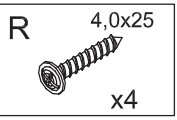
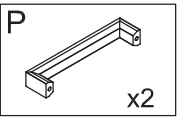
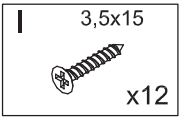
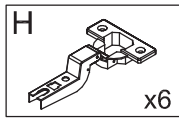
C	∅8x30	F		L		M	6,0x10	O		T		I	3,5x15
	x4		x3		x2		x4		x8		x1		x1




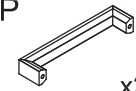
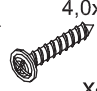
7



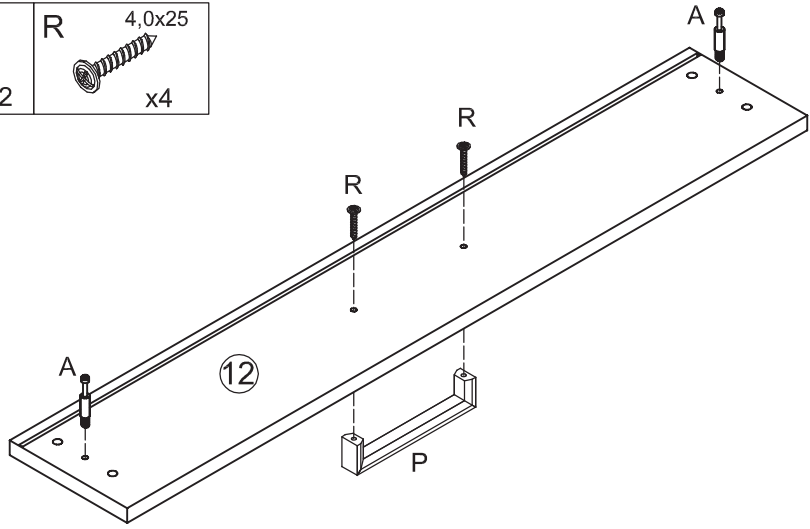
8



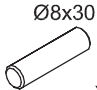


9a

- A  x4
- P  x2
- R  4,0x25 x4

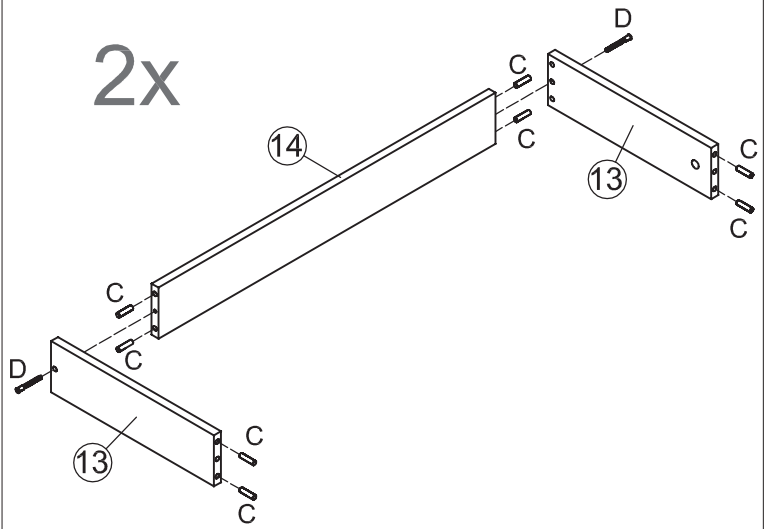
2x





9b

- C  Ø8x30 x16
- D  6,3x50 x4
- E  x1

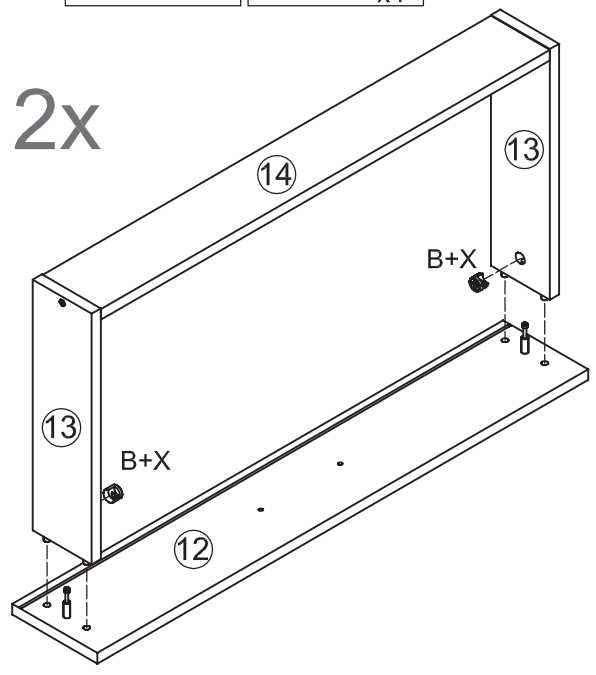
2x




9c

- B  x4
- X  x4

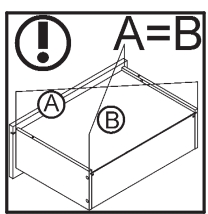
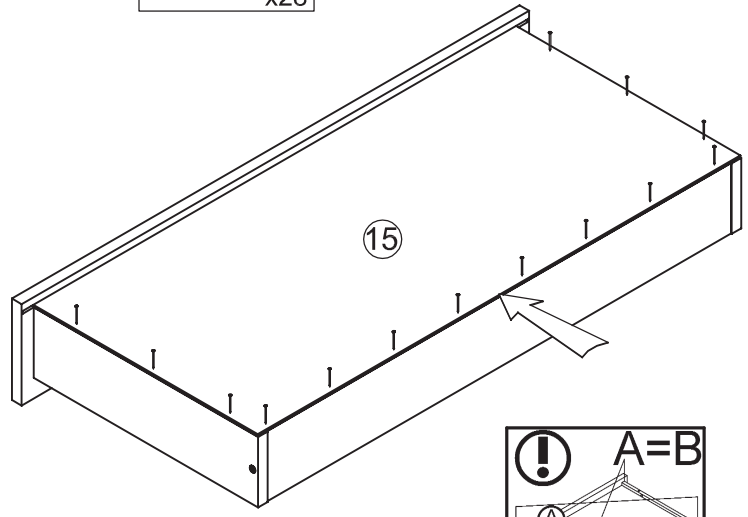
2x



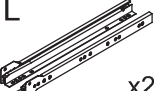

9d

- W  x28

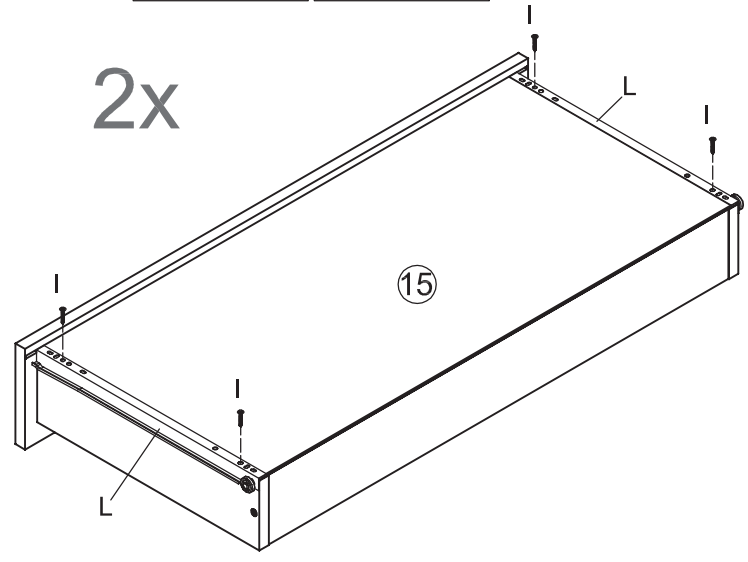
2x



9e

- L  x2
- I  3,5x15 x8

2x



10

B

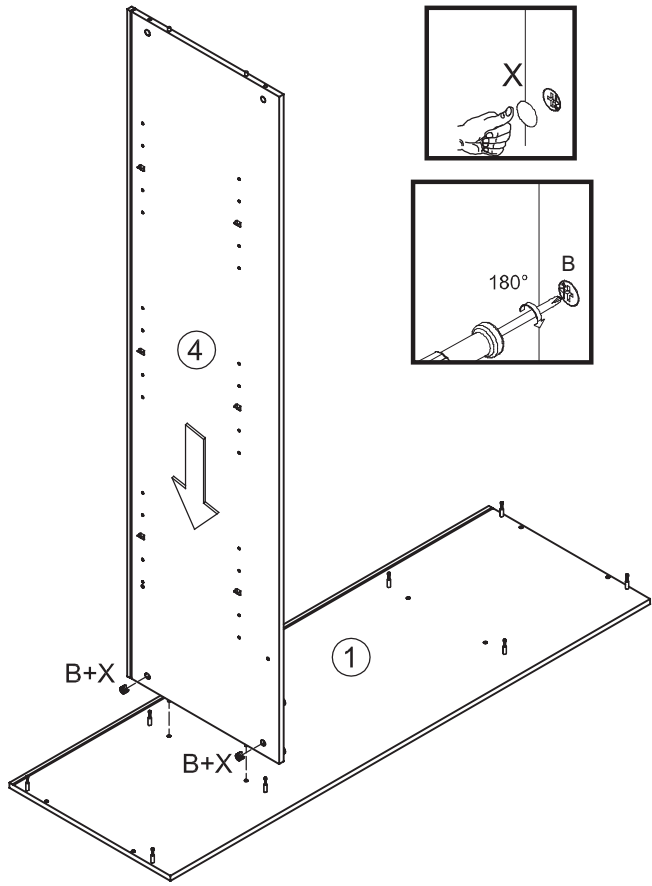


x2

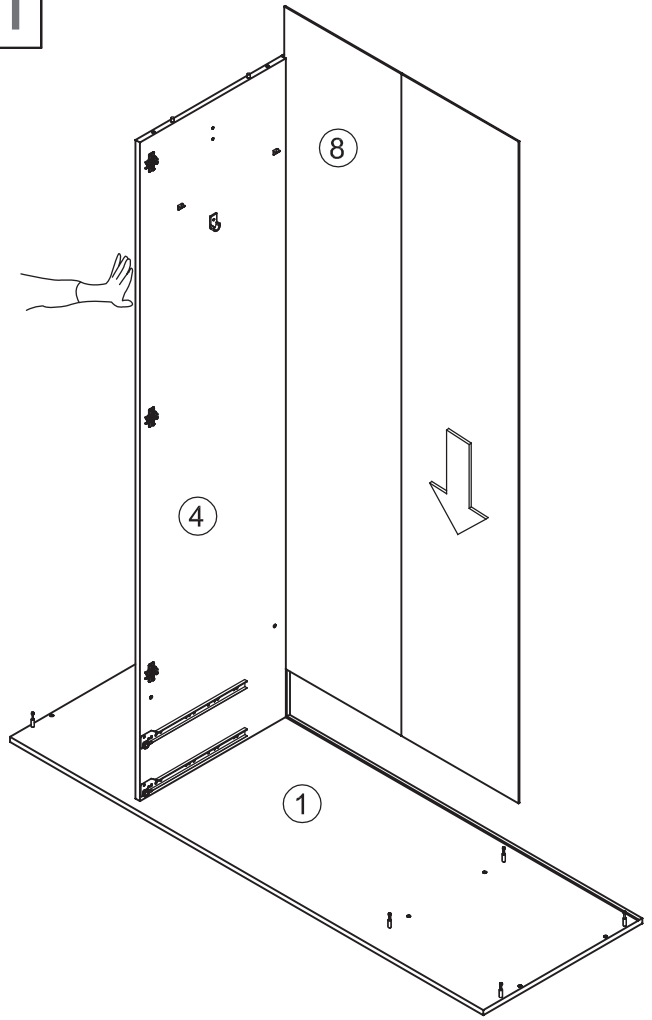
X



x2



11



12

B

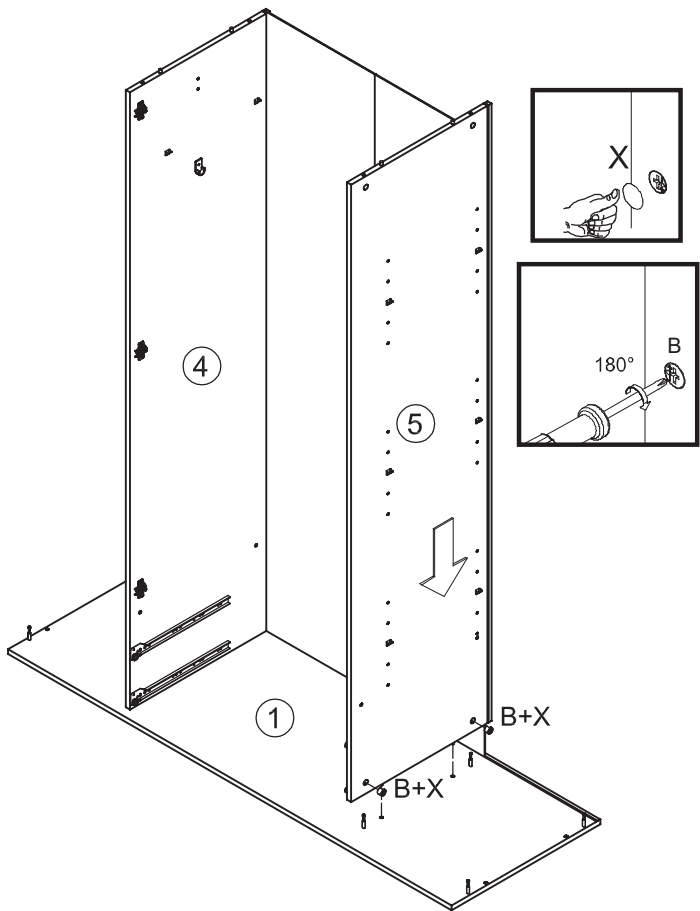


x2

X



x2



13

D

6,3x50



x4

Y

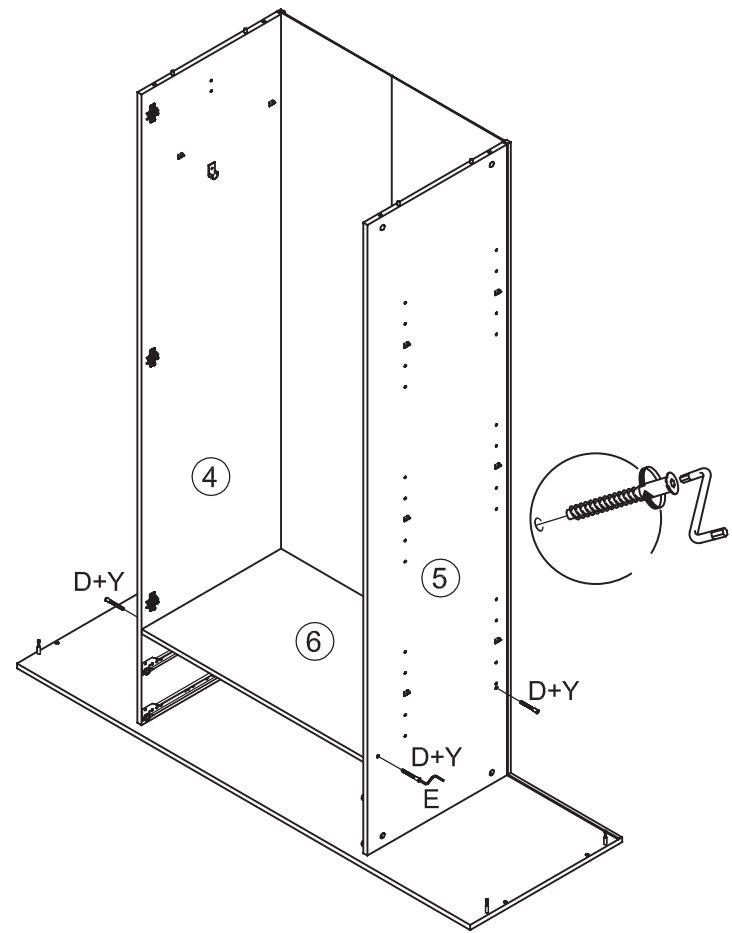


x4

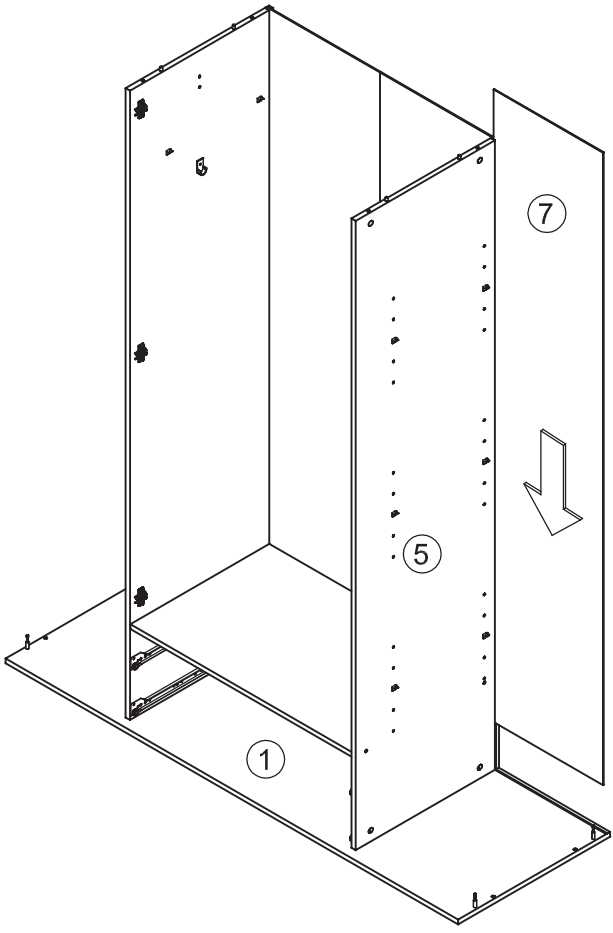
E



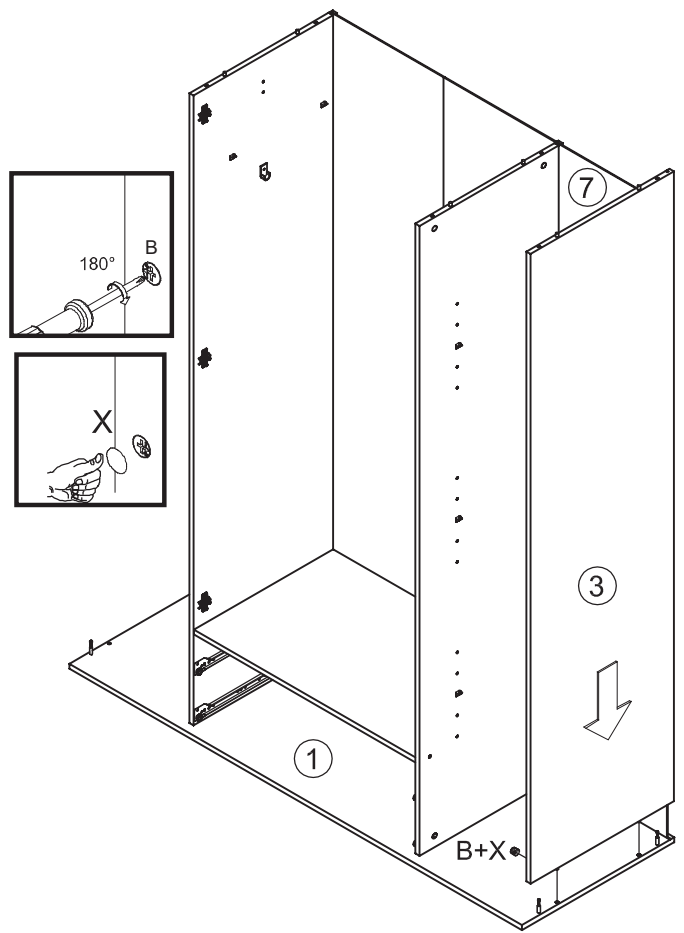
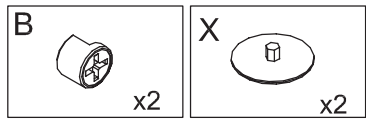
x1



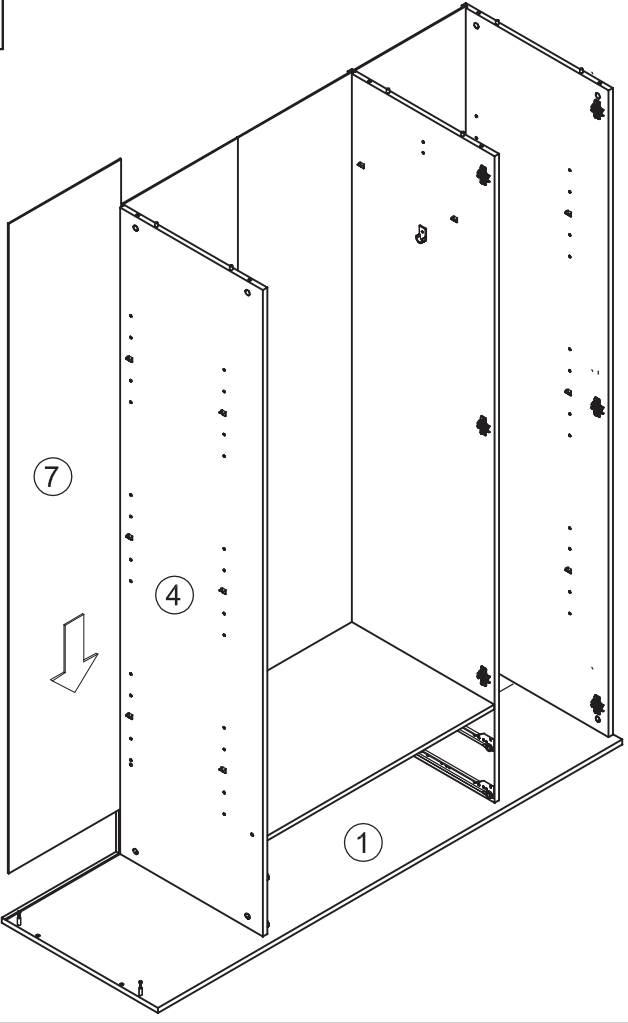
14



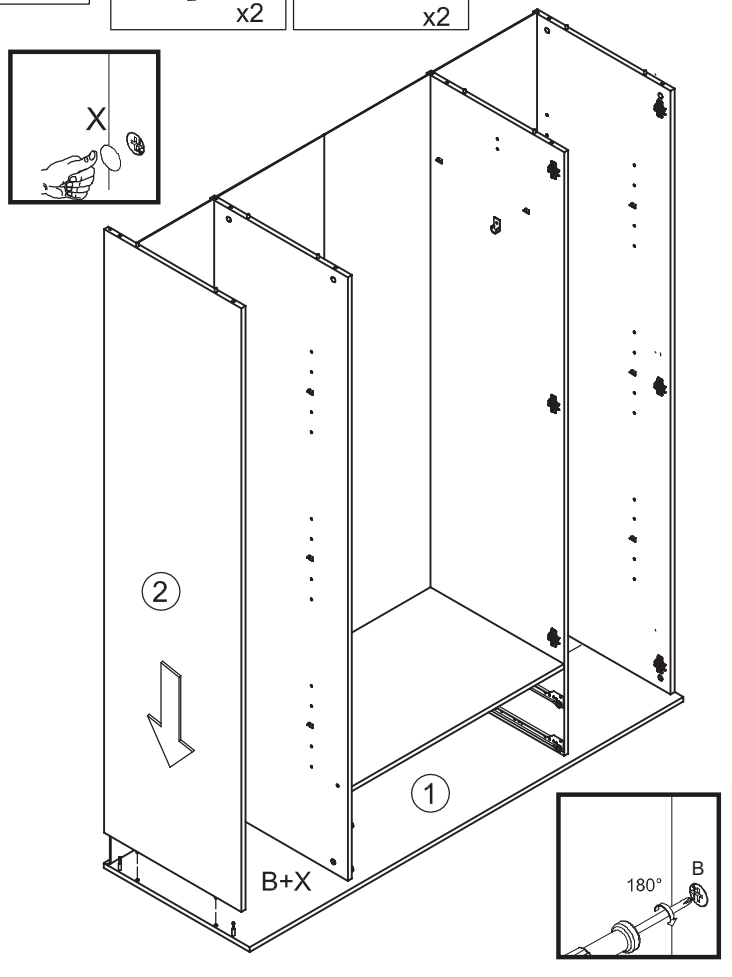
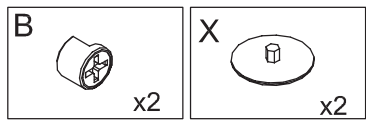
15



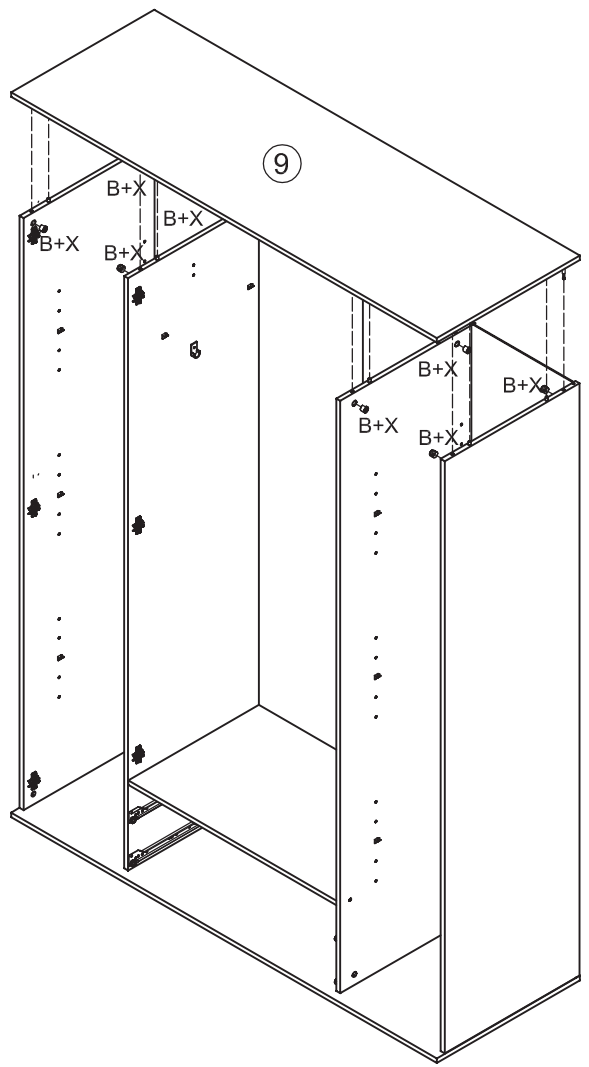
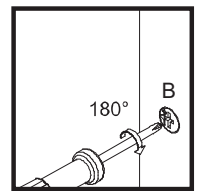
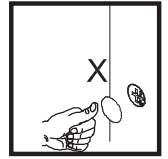
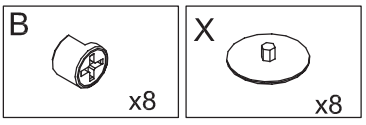
16



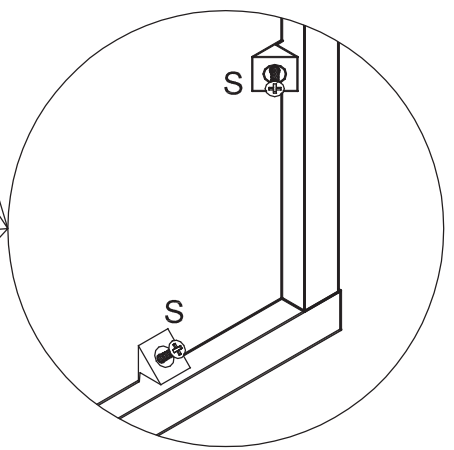
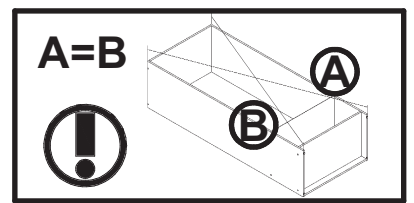
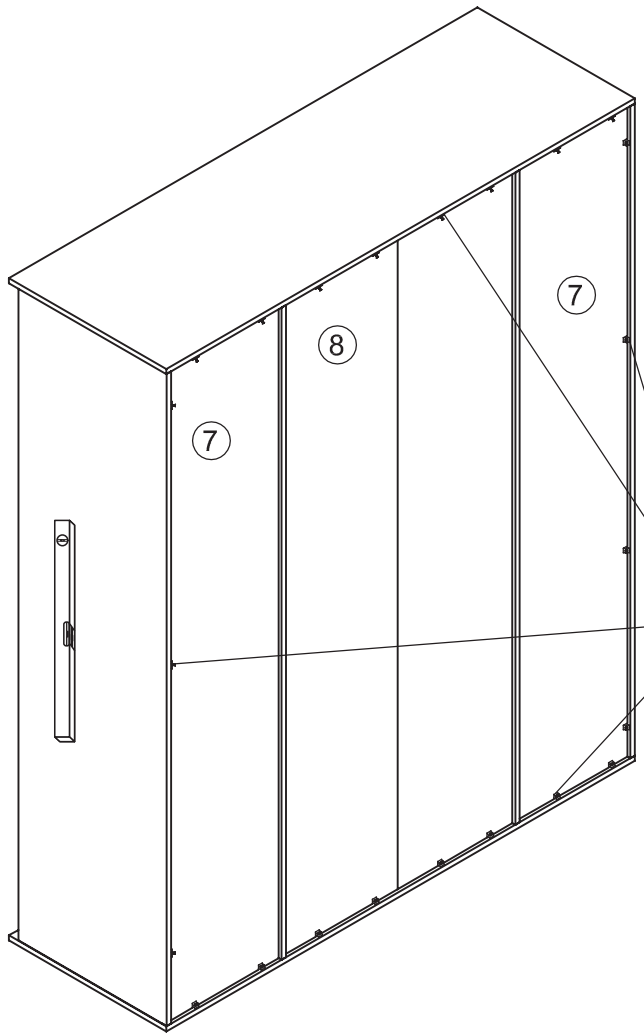
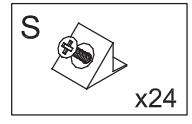
17



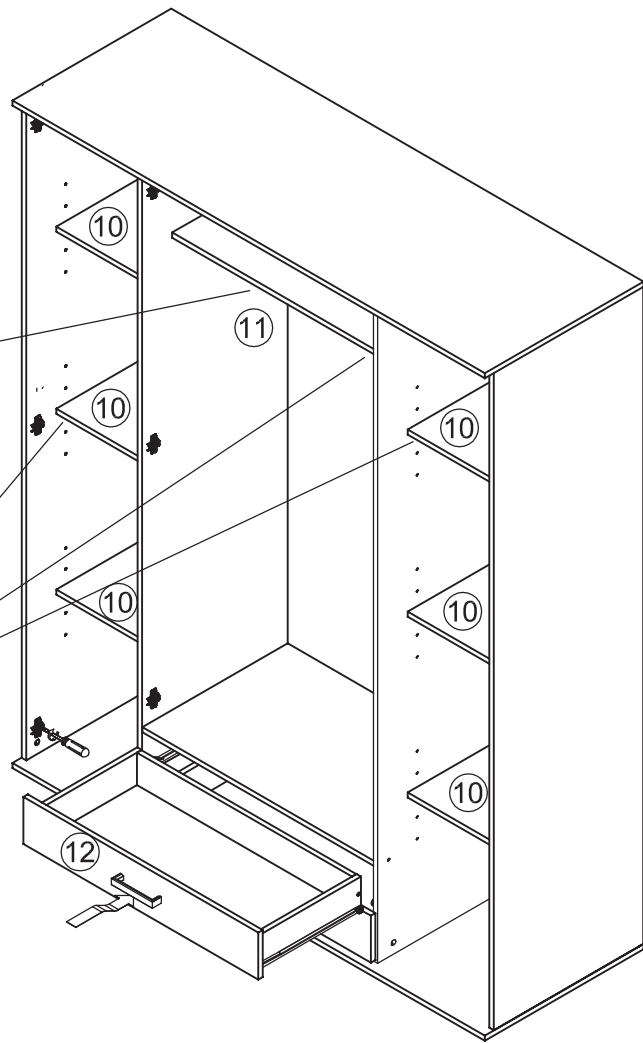
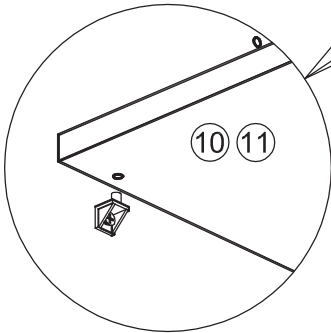
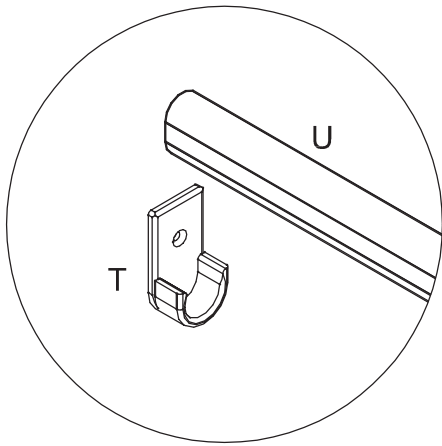
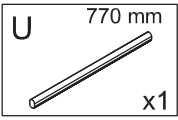
18



19

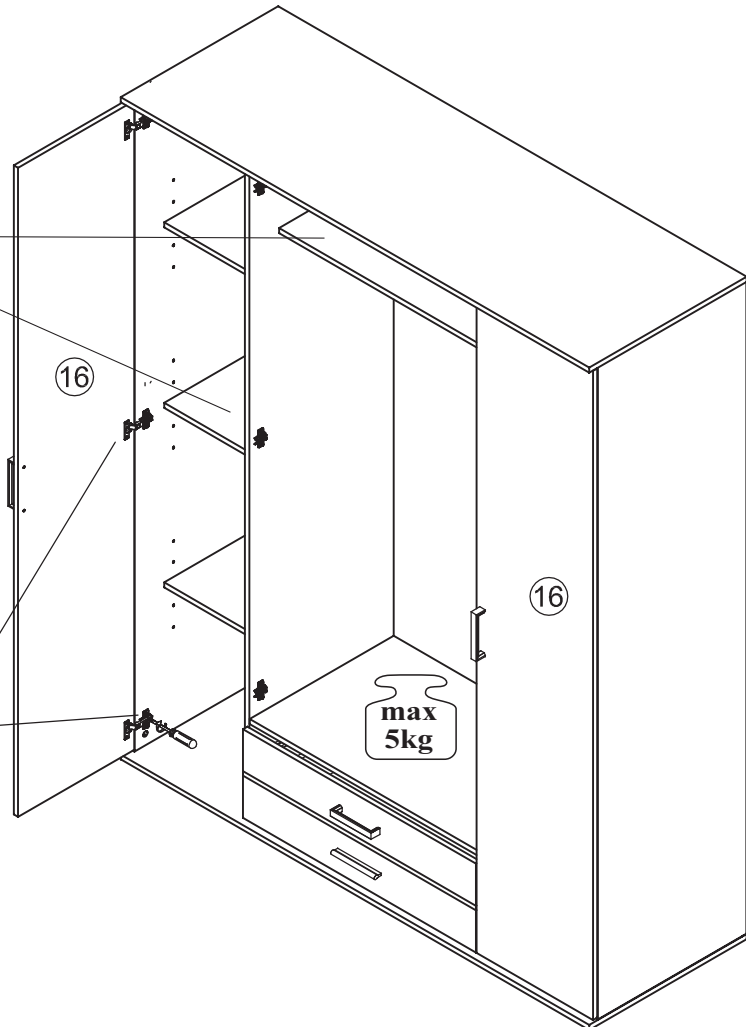
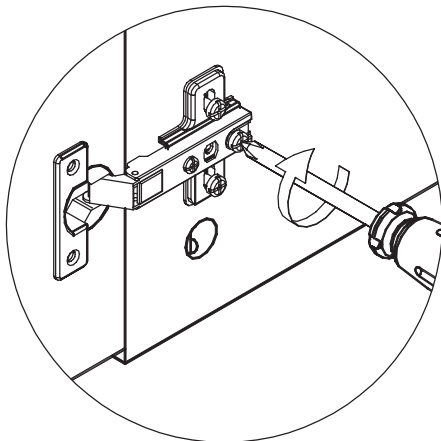


20

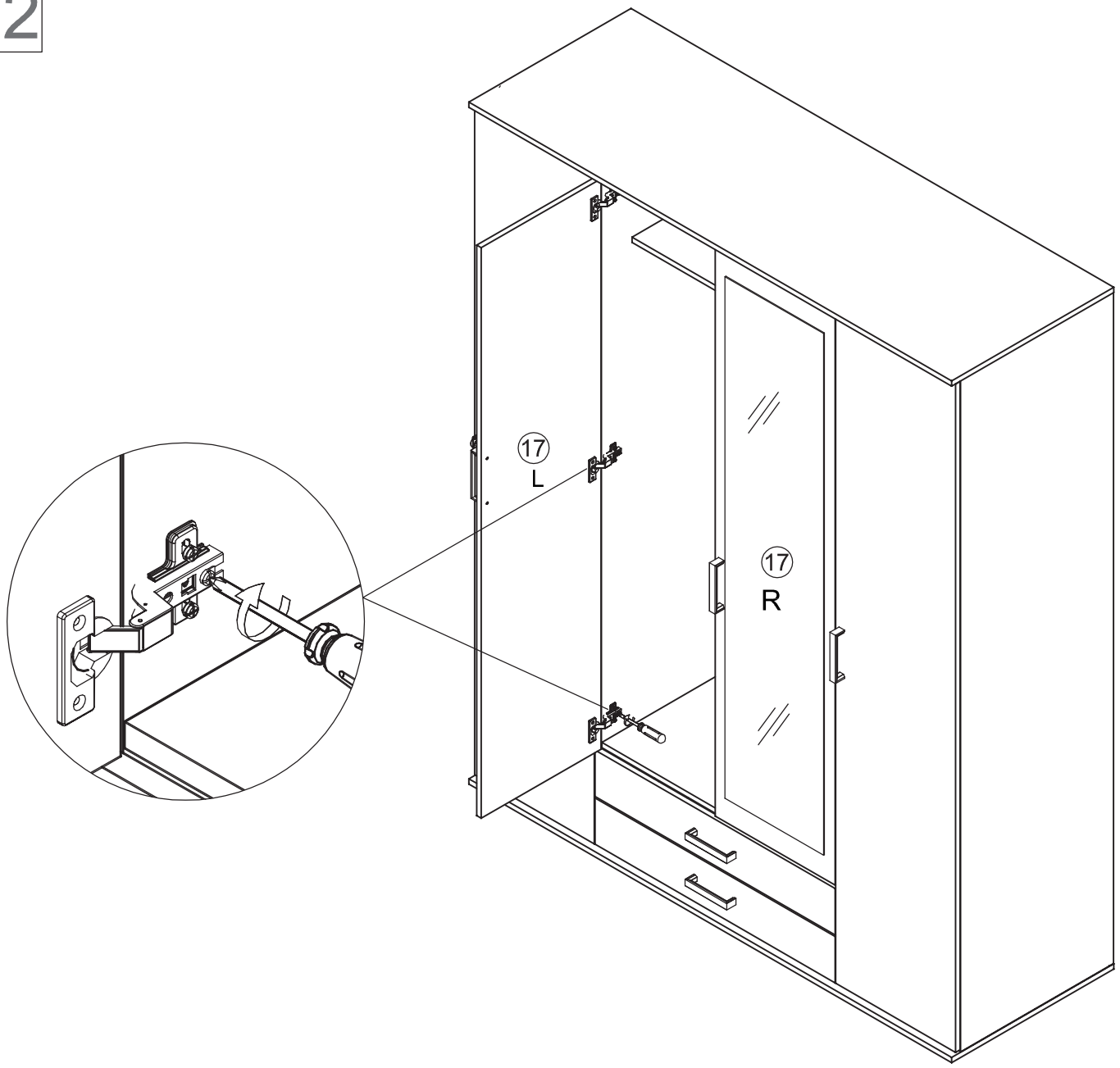


21

max
5kg



22



23

