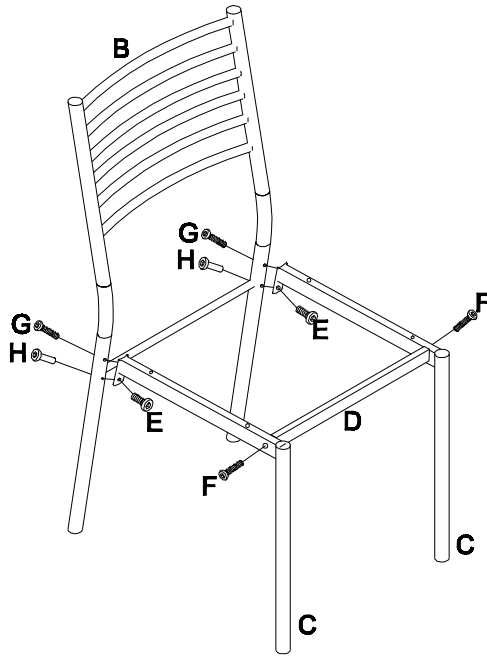
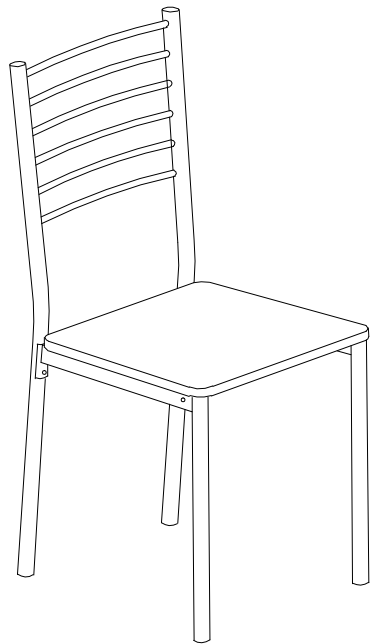
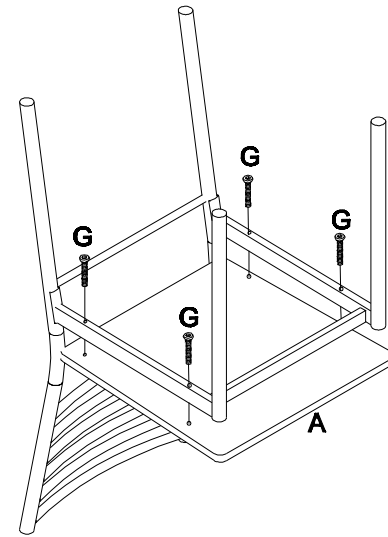
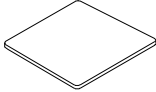
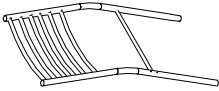
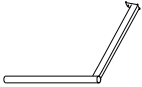



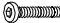




1

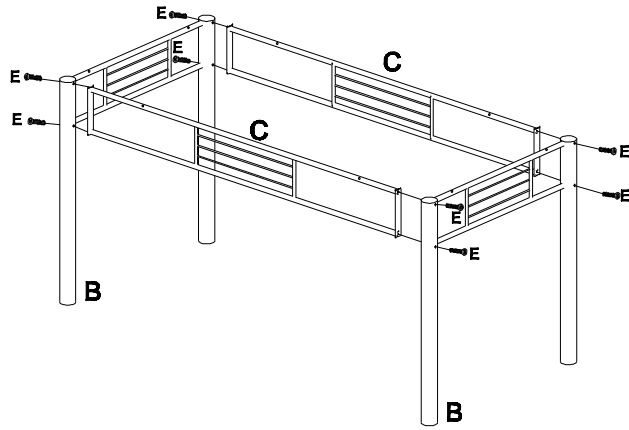


2

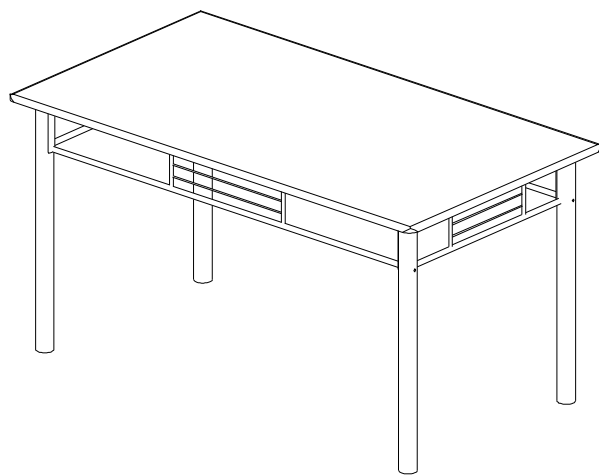
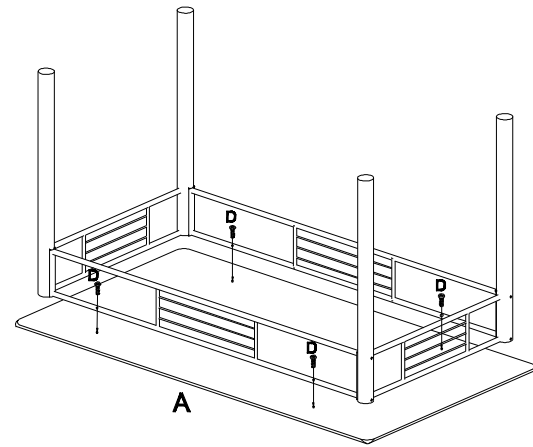


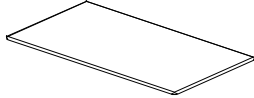
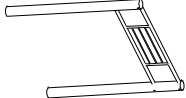
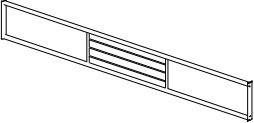



			
<b>Ax4PCS</b>	<b>Bx4PCS</b>	<b>Cx8PCS</b>	<b>Dx4PCS</b>
			
<b>M6x20mm Ex8PCS</b>	<b>M6x30mm Fx 8PCS</b>	<b>M6x40mm Gx24PCS</b>	<b>Hx8PCS</b>
			
			<b>Ix2PCS</b>

1



2



 <b>Ax1PC</b>	 <b>Bx2PCS</b>	 <b>Cx2PCS</b>
 <b>Dx4PCS</b>	 <b>Ex8PCS</b>	 <b>Fx1PCS</b>