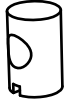
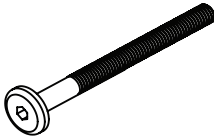


x 8 pcs **D**



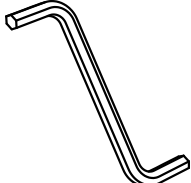
M6

x 8 pcs **E**



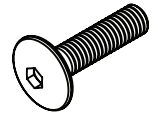
M6 x 100 mm

x 1 pcs **G**



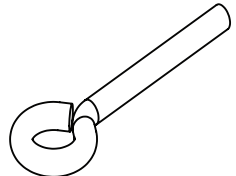
M6

x 4 pcs **H**

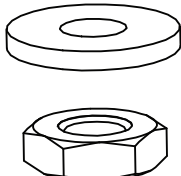


M6 x 35 mm

x 4 pcs **J**

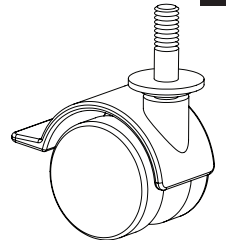


x 4 sets **K**

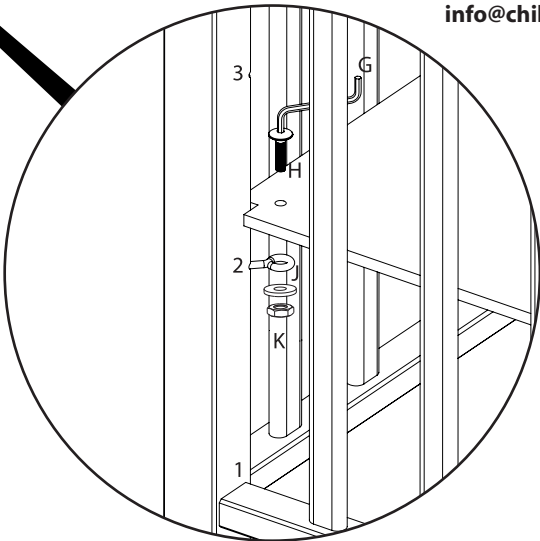
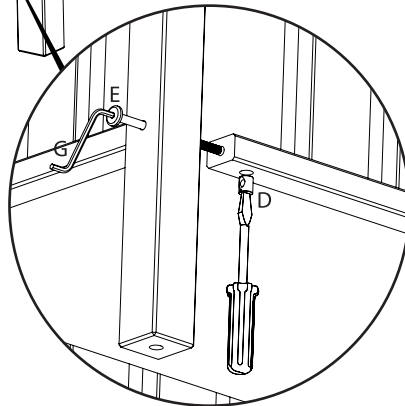
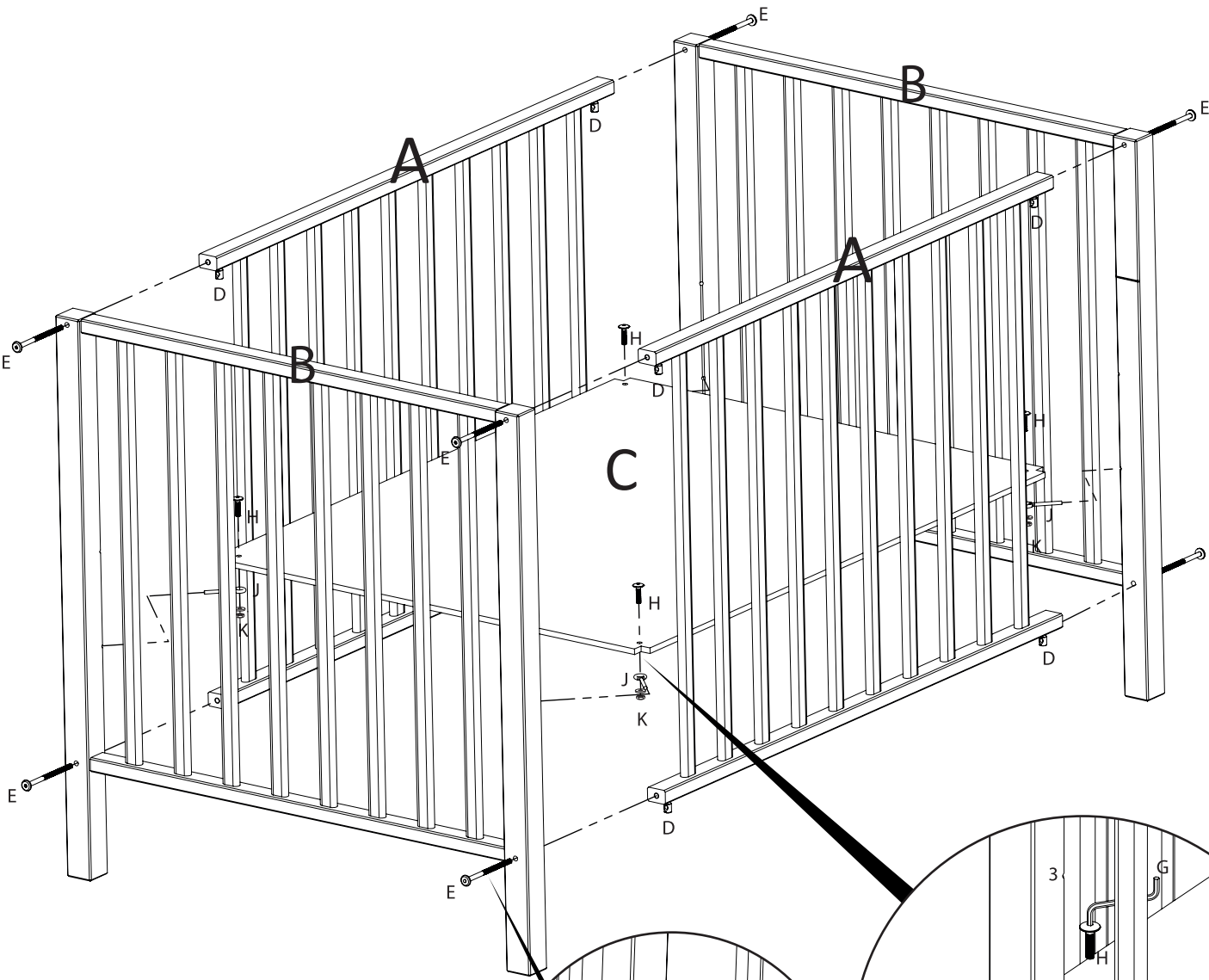


Nut + Washer M6

x 4 **L**




ONLY USE ON FLAT FLOORS (NO CARPET)



PA94
Playpen

Montage handleiding
 Assembly instructions
 Notice de montage
 Montageanweisungen
 Istruzioni per il montaggio
 Instruções de montagem

Childhome - AERTS N.V.
 Industry zone "Blauwe Steen"
 Neerveld 13A - 2550 Kontich - Belgium
 info@childhome.be - www.childhome.be



+/- 10Min.

PA91x